



Piezoelectric Complexed Accelerometer

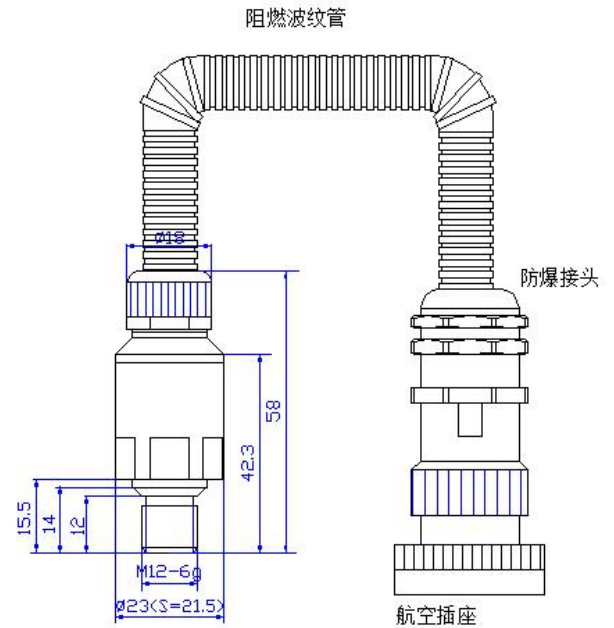
CA-YD-142B02B

Feature:

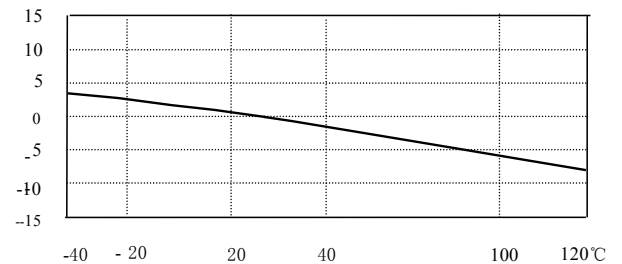
1. Isolated, IEPE voltage output
2. Simultaneously measurement of temperature and acceleration values
3. Industrial site status detection

Specification:

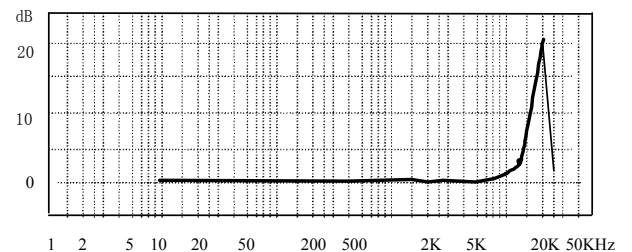
Accelerometer	
Sensitivity(20±5℃)	32mV/g±5%
Measurement Range(pk)	±150g
Max Transverse Sensitivity	≤5 %
Frequency Response (±5%)	1 ~ 8,000 Hz
Mounting Resonant Frequency	18,000 Hz
Supply Voltage	±5VDC for acceleroemter -5 VDC for the chip of ETDS
Midpoint Bias Current	0±50mV
Output Signal	Differential voltage
Dynamic Range	0±4.8Vp
Noise	<30 uV
Case Isolation	≥10 ⁸ Ω
Operating Temp. Range	-40~+105 ℃
Vibration Temp. Sensitivity Coefficient	about0.1%/℃
Shock Limit	2000 g
Sensing Geometry	Shear
Temperature Sensor	
Temp. sensor	PT1000 (two-wire)
Accuracy	Grade A (±0.15%)
Temperature measurement range	-50℃~+300℃
Weight	80 g
Case Material	Stainless steel
Mounting	M12
Protection Grade	IP68(with metal hose)
Output (8 core low smoke zero halogen fire retardant cable)	1:Power+ 2:Ground 3:Power- 4:Vibration ouput+ 5:Vibration output- 6:Temp. sensor+ 7:Temp. sensor- 8:TEDS signal
TEDS signal	Have a lead independent for TEDS signal, when the voltage is 5 v, output TEDS signals



Dimension



Temp. Curve



SINOCERA PIEZOTRONICS, INC.

Add:42 Wugang Rd, Yangzhou, Jiangsu, P.R.China 225007 Phone: +86 514 87322487, Fax: +86 514 8734 8670, E-mail: lily.sun@china-yec.com, Web: www.china-yec.com
In the interest of constant product improvement, we reserve the right to change specifications without notice.