

Appendix C - Enclosure and PCB Drawings [U6 Datasheet]

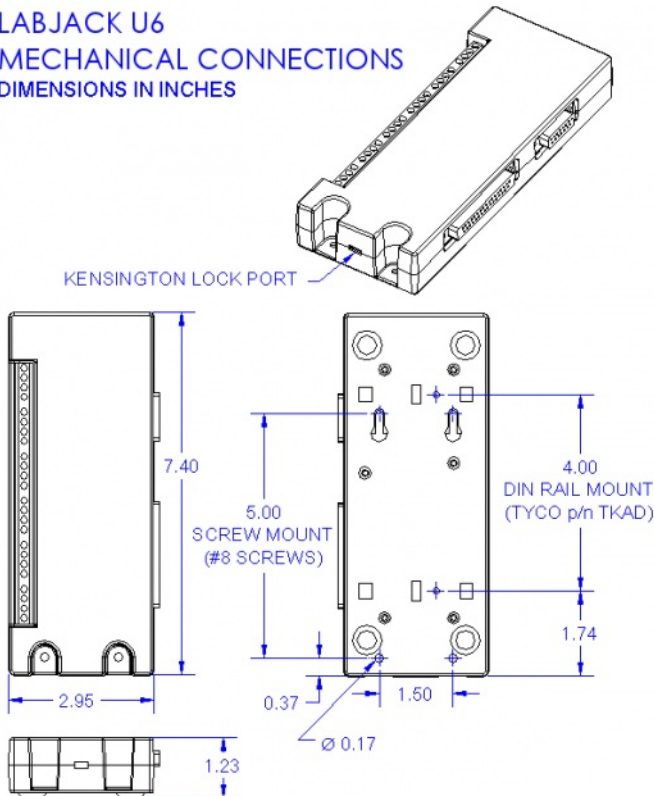
[Log in](#) or [register](#) to post comments

See below drawings of the U6.

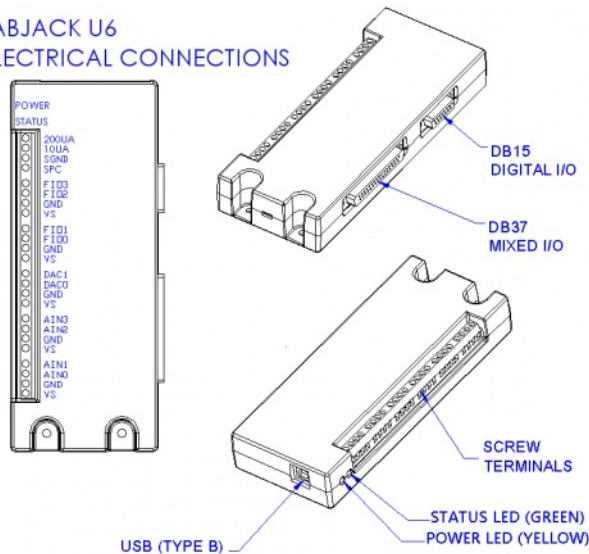
The square holes on the back of the enclosure are for [DIN rail mounting adapters](#) (TE Connectivity part #TKAD).

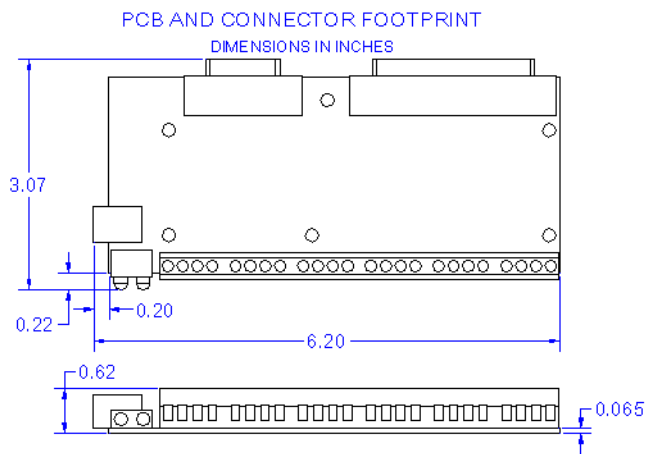
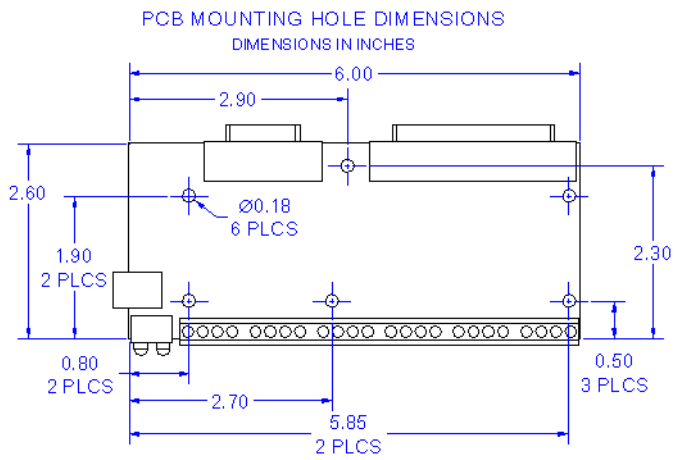
CAD drawings of the U6 enclosure are attached to the bottom of this page. The free online [Autodesk Viewer](#) can be used to view these and make measurements among other things.

LABJACK U6 MECHANICAL CONNECTIONS DIMENSIONS IN INCHES

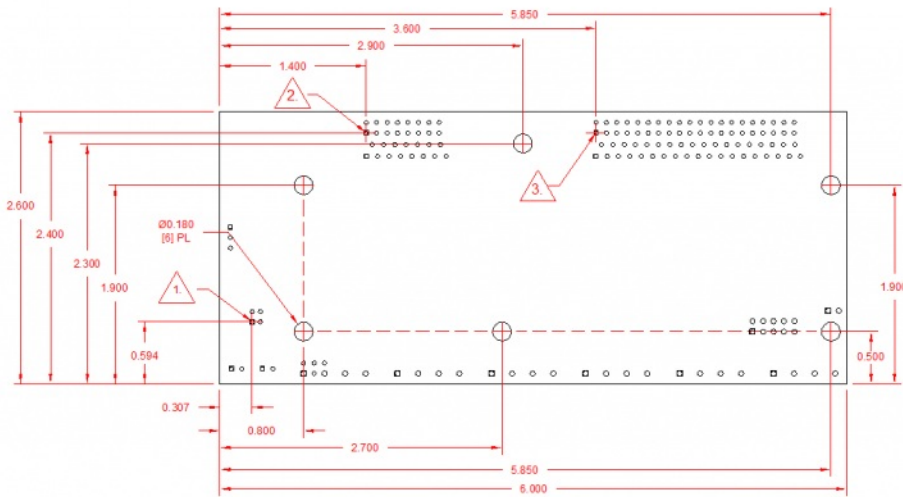


LABJACK U6 ELECTRICAL CONNECTIONS

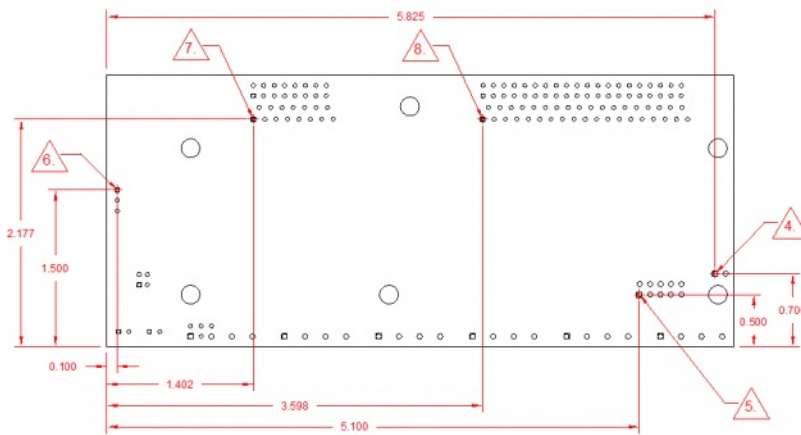




U6 OEM PCB Dimensions








- NOTES:
1. USB, PIN 1 (PITCH: ΔX 0.078", ΔY 0.098")
 2. OEM 2x8 HEADER, 0.100" PITCH, PIN 1
 3. OEM 2x20 HEADER, 0.100" PITCH, PIN 1
 4. MECH. PIN 1, 0.100" PITCH
 5. JTAG, PIN 1, 0.100" PITCH
 6. J5, PIN 1, 0.100" PITCH
 7. P2, PIN 1
 8. P3, PIN 1



Common neutral format CAD models are provided below. Right-click and select the "Save link as..." option to download STEP files.

File Attachment:

-  [U6.IGS](#)
-  [U6.STEP](#)
-  [U6_OEM.IGS](#)
-  [U6_OEM.STEP](#)
-  [U6 PCB Dimensions.dxf](#)