



PRODUCT OVERVIEW

LEVEL MEASUREMENT

MAC Sensor Co.,LTD.

Changsha City,Hunan,China

<http://www.macsensor.com>

TEL: +86-731-89975636 / 89975645

L709 Anti Clog Attachment for Tronic Submersible Liquid Level Pressure Transmitters



L709



Characters:

- ☆ All 316 stainless steel construction for durability
- ☆ Flush diaphragm provides excellent sensitivity
- ☆ Diaphragm is protected from physical damage and turbulence
- ☆ Added weight prevents movement of the transmitter
- ☆ Cable is designed to withstand over 200 pounds of strain, so no additional support is required.

Applications:

- ★ Designed for difficult level sensing applications where sludge, slurry, or turbulence may be present.
- ★ It is available with the HPT603, HPT604 high performance, and L709 Approved intrinsically safe submersible level transmitters.
- ★ For lift stations, wet wells and other level applications
- ★ For sewage water tank level applications
- ★ And so on

I. Profiles:

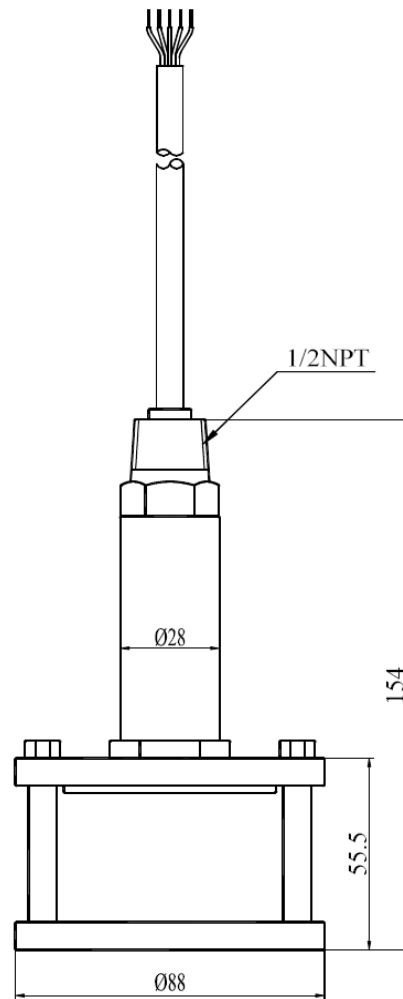
L709 is a fully sealed submersible level transducer/transmitter with thread and flange connector. It is made by building in high stable and reliable OEM piezo-resistive silicon pressure sensor and high accurate circuit board into the stainless steel housing. Integrated construction and standard signal provide the user easy and convenient application in the local working place. The special cable connects with housing, can be immersed into the media for a long time.

L709 level transducer/transmitter has compact size, good stability it can be used for water, liquid measure and control of water well, liquid tank, medicine, metallurgy, electricity, mine, city water supply and drainage and hydrology, especially used in the field of concrete whisk project.

II. Specifications:

Model:	L709				
Parameter:					
Pressure Range:	-1 Bar-0-1 Bar.....20 Bar / 0-1M.....200M H2O Optional				
Overload:	150% F.S.				
Burst Pressure	300% F.S.				
Accuracy: (Linearity Hysteresis Repeatability)	$\leq \pm 0.5\%F.S$ (standard) $\leq \pm 0.25\%F.S$ (regular) $\leq \pm 0.1\%F.S$ (customized) Including non-lin., rep. and hys. Optional				
Long Stability:	Standard: $0.1\%F.S \pm 0.05\%$				
Working Temp:	$-20^{\circ}C \sim 80^{\circ}C$				
Storage Temp:	$-30^{\circ}C \sim 100^{\circ}C$				
Temperature Compensation:	$-10^{\circ}C \sim 60^{\circ}C$				
Medium compatible:	Compatible with 316L Stainless Steel				
Electronic Wire:	2 Wire	3 Wire		4 wires	
Output:	4~20mA	0~5V	0~10 V	0.5~4.5 V	RS485 MODBUS RTU
Power Supply:	12~36 V DC	9~36 V DC	15~36Vdc	5 V DC	10-30Vdc
Insulate resistance:	$>100M \Omega @50V$				
Zero Temp. Drift:	$0.03\%FS/^{\circ}C$ ($\leq 100kPa$) , $0.02\%FS/^{\circ}C$ ($>100kPa$)				
FS Temp. Drift:	$0.03\%FS/^{\circ}C$ ($\leq 100kPa$) , $0.02\%FS/^{\circ}C$ ($>100kPa$)				
Electronic connection:	Over molded and Fixed cable and water proof IP68				
Process Connect:	88 mm (3.5") Flange, nylon nose cap, DN50 Flange, DN80 , DN100 Flange optional				
Body Diameter:	28 mm				
Material of housing:	Stainless Steel				
Response time:	$\leq 10ms$				
Pressure Type:	Gauge pressure and absolute pressure optional.				
Certificate approving:	Exia IICT6 and CE Certificate.				
EMC Standard:	electromagnetic radiation:EN50081-1/-2 electromagnetic susceptibility:EN50082-2				
Water Proof:	IP68				
Weight:	Net weight is about 1.8KG, Full Packing weight is about 3.0KG (Not Include Cable)				
Remarks:	Special applications request by Customized				

III. Dimension and Drawing:



IV. Electronic Connections:

Electronic Wire Connections					
	Power Supply +	Power Supply -	Signal Output +	Signal Output -	Ground Wire
2 wire 4-20 mA	Red wire	NA	Yellow wire	NA	NA
3 Wire 0-5V; 0-10V; 0.5-4.5V	Red wire	Green/Blue wire	Yellow wire	Green/Blue wire	NA

V. Part NumberCode Table For Level Range:

000	-1-0	016	0-1.5	031	0-10	047	0-125
001	-1-1	017	0-1.6	032	0-12	048	0-150
002	-1-9	018	0-1.7	033	0-15	049	0-200
003	-1-10	019	0-1.8	034	0-16	050	0-250
004	-1-16	020	0-1.9	035	0-20	051	0-300
005	-1-20	021	0-2.0	036	0-25	052	0-350
006	-1-25	016	0-2.1	037	0-30	053	0-400
007	-1-30	022	0-2.2	038	0-35	054	0-450
008	-1-35	023	0-2.3	039	0-40	055	0-500
009	-1-40	024	0-2.5	040	0-50	056	0-600
010	-1-65	025	0-3	041	0-60	057	0-700
011	0-0.5	026	0-4	042	0-65	058	0-800
012	0-1.0	027	0-5	043	0-70	059	0-1000
013	0-1.1	028	0-6	044	0-80	060	0-10000
014	0-1.2	029	0-7	045	0-90	061	0-15000
015	0-1.3	030	0-8	046	0-100	X	Customized

VI. Order Information

P/N Selection	L709 (Model)	3	A	027	H	0	5	G
Output	3= 4-20mA 4= 0-5V 5= 0-10V 6= 0.5-4.5V X=By Customized							
Process Connection	A=Double 88 mm(3.5'') Diameter Flange (Typical) X=By Customized							
Level Measurment	See last pages Level Range Code Table and select your requested range code adhere here.							
Pressure Unit	H=m H2O B=Bar P=Psi F=m Fuel							
Accuracy	0=0.5%F.S. 1=0.25%F.S. 2=0.15%F.S.							
Cable length	1= Cable 1M 2= Cable 2M 3= Cable 3M 4= Cable 4M 5= Cable 5M 6= Cable 6M xxx=Cable xxxM							
Pressure type	G=Gage S=Sealed A=Absolute							