



PRODUCT OVERVIEW

LEVEL MEASUREMENT

MAC Sensor Co.,LTD.
Changsha City,Hunan,China
<http://www.macsensor.com>

TEL: +86-731-89975636 / 89975645

L708 Series Marine and Vessel Application Submersible Pressure Level

Transmitters



Characters:

- ☆ Accuracy: $\leq \pm 0.5\%F.S.$
- ☆ High stability and reliability
- ☆ Using industrial silicon sensor
- ☆ Digital calibration system
- ☆ Multifarious electronic connector
- ☆ Multifarious pressure port
- ☆ Temperature compensate
- ☆ Explore proof design
- ☆ CE Certificate approved
- ☆ Accord with ROHS standard
- ☆ Water proof up to IP68

Applications:

- ☆ Hydraulic pressure measurement
- ☆ Industrial automation control
- ☆ BMCS
- ☆ Petrochemical industry
- ☆ Water conservancy
- ☆ Marine and Vessel application
- ☆ Laboratory equipment
- ☆ Real-time management well
- ☆ Automatic detection system
- ☆ Fuel Level measurement
- ☆ And so on

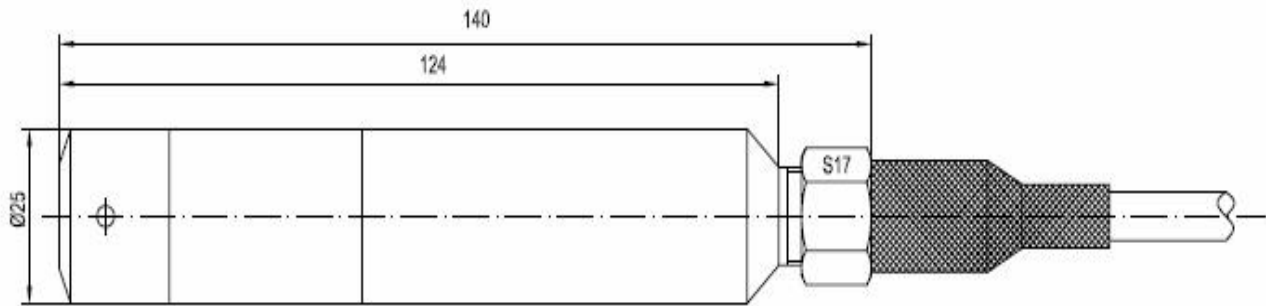
I. Profiles:

L708 level transmitters are use high quality imported ceramic capacitance pressure sensor as signal sensing element, through automatic testing, laser trimming compensating zero and sensitivity in wider temperature range the amplifier circuit is in titanium alloy housing, transforming sensor signal into standard output signal. Through strict component making, semi-finished product and all-finished product testing and aging, the transmitter is stable and reliable, having excellent flexibility, sensitivity and diversity. The product is widely used for pressure and level measurement of marine and vessel application.

II. Specifications:

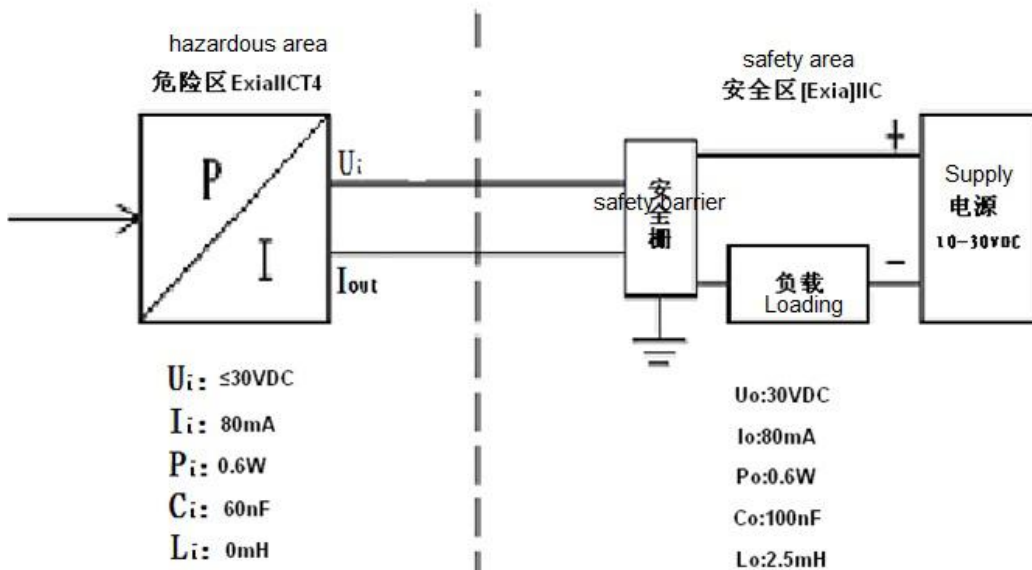
Model:	L708	
Parameter:		
Pressure Range:	0-5...100 M H2O optional	
Pressure Type:	Gauge pressure; Absolute pressure optional.	
Safe Overload:	400% F.S.(standard)	
Burst Pressure:	800% F.S. (standard)	
Accuracy: (Linearity Hysteresis Repeatability)	$\leq \pm 0.5\%F.S$ Including non-lin., rep. and hys. Optional	
Long Stability:	Standard: $0.15\%F.S \pm 0.05\%$	
Working Temp:	-25℃~85℃	
Storage Temp:	-25℃~100℃	
Temperature Compensation:	-20℃~70℃	
Medium compatible:	Compatible with titanium alloy	
Electronic Wire:	2 Wires	
Output:	4~20mA	
Power Supply:	12~30 V DC (Must be powered by safety barrier)	
Insulate resistance:	>100M Ω @50V	
Load resistance:	(U-10)/0.02 Ω	
Zero Temp. Drift:	0.03%FS/℃ ($\leq 100kPa$) , 0.02%FS/℃ ($>100kPa$)	
FS Temp. Drift:	0.003%FS/℃ ($\leq 100kPa$) , 0.002%FS/℃ ($>100kPa$)	
Body materials:	titanium alloy	
Electronic connection:	Fixed cable and water proof IP68; Sealed screw with IP68 water proof optional.	
Cable length:	Cable length and materials by customized. A standard cable material is PE water proof with atmosphere breath tube. Cable diameter about 7.6 mm	
Process mounting accessories:	G1/4" male, G1/2" male thread optional. (by customized)	
Dimension:	Length: 140 mm (standard); Body diameter: 25 mm (standard).	
Water Proof:	IP68	
Explosion Proof:	Intrinsically Safe Exial IIC T4 Ga, Ui: $\leq 30VDC$ li=80mA Pi=0.6W Ci=2nF Li=0mH	
Standard approving:	IEC60079-0:2007 and IEC60079-11:2006	
CE Certificate:	EN50081-1/-2; EN50082-2	
Response time:	$\leq 10ms$	

III. Dimension and Drawing: (unit: mm)



IV. Electronic Connections:

Electronic Wire Connections



V. Part NumberCode Table For Level Range:

000	-1-0	016	0-1.5	031	0-10	047	0-125
001	-1-1	017	0-1.6	032	0-12	048	0-150
002	-1-9	018	0-1.7	033	0-15	049	0-200
003	-1-10	019	0-1.8	034	0-16	050	0-250
004	-1-16	020	0-1.9	035	0-20	051	0-300
005	-1-20	021	0-2.0	036	0-25	052	0-350
006	-1-25	016	0-2.1	037	0-30	053	0-400
007	-1-30	022	0-2.2	038	0-35	054	0-450
008	-1-35	023	0-2.3	039	0-40	055	0-500
009	-1-40	024	0-2.5	040	0-50	056	0-600
010	-1-65	025	0-3	041	0-60	057	0-700
011	0-0.5	026	0-4	042	0-65	058	0-800
012	0-1.0	027	0-5	043	0-70	059	0-1000
013	0-1.1	028	0-6	044	0-80	060	0-10000
014	0-1.2	029	0-7	045	0-90	061	0-15000
015	0-1.3	030	0-8	046	0-100	X	Customized

VI. Order Information

P/N	L708 (Model)	3	A	027	H	0	5	G
Selection								
Output	3= 4-20mA							
Process Connection	A=None (submersible) B=2.5"/DN63 mm 4 holes C=3"/DN80 mm 4 holes D=G1/4" male E=G1/4" Female X=Customized							
Level Measurment	See last pages Level Range Code Table and select your requested range code adhere here.							
Pressure Unit	H=m H2O	B=Bar	P=Psi	F=m Fuel				
Accuracy	0=0.5%F.S.		1=0.25%F.S.					
Cable length	1= Cable 1M 4= Cable 4M xxx=Cable xxxM	2= Cable 2M 5= Cable 5M	3= Cable 3M 6= Cable 6M					
Pressure type	G=Gage S=Sealed A=Absolute							