

MaintTech CX-300

A complete vibration & temperature monitoring and protection system in a single enclosure

- Compact multi-channel vibration and temperature data acquisition system
- Four vibration input channels, suitable for ICP Accelerometers, velocity and displacement sensors
- High frequency range and resolution, suitable for wide variation type of machines
- Fast acquisition time, high sampling rate
- 4 to 20 mA output for all vibration channels
- Four temperature input channels for PT100 RTD (2 or 3-wires)
- One speed measurement channel
- Bearing fault estimator(BE)
- Two galvanic isolated digital inputs
- Protection system (CX300) with four software programmable output relays
- Programmable alarm multiplier during start-up
- Optional local LCD Display (3.5"TFT, 320x240 pixels, touch-screen navigation)
- Communication:1xUSBDevice, 1xEthernet 100Mb
- Wide range for power supply (18to36Vdc)
- Low power consumption
- IP65protection
- Powerful [CX-MON300](#) visualization software (Server and Client), running on all Windows OS's.
- [CXConfig](#) Modules Configuration software

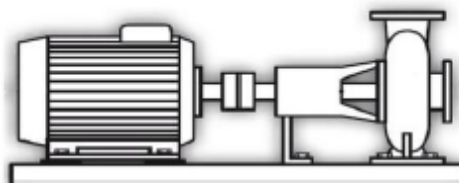
STAND-ALONE TYPICAL APPLICATION



PROTECTION RELAY



VIBRATIONS & TEMPERATURES



Technical Datasheet

Power supply voltage	18V to +36V DC (Typically +24 V \pm 10%)
Power consumption	6 VA typical; 10 VA max.
External Fuse (required)	T-type, max. 2 A
Vibration inputs	Accelerometer, Velocity and Displacement Sensors
Channels	4
Max. frequency	6400 Hz (configurable)
Amplitude range	20 V p-p
Spectrum lines	Up to 6400
Data acquisition	12 channels simultaneous (three gains for each input, no auto-ranging required)
A/D resolution	16 bits
Spectrum resolution	Selectable (0.5, 1 or 2 Hz)
Total value HPF	Selectable (none, 5 or 10 Hz)
Total value LPF	Selectable (from 200 to 6400 Hz)
Accelerometers supply	4 mA @ 24 V dc
Bearing estimator	Bearing Energy Coefficient (BE)
BE HPF	500 Hz
Temperature inputs	4 X PT100 (2 or 3 wires)
Channels	4
Temperature range	Selectable (Min. -50°C, Max 300 °C)
Speed input	1
Speed range	1 Hz to 5 KHz
Digital inputs	2 (Start-up and Relay Reset), optocoupled
Power consumption	7,5 mA / 24V,
Isolation	500V DC
Outputs	
Analog	4 X 4-20 mA (max. load 600 Ω)
Digital	4 relay
Max. load per relay	5A, cos j = 1 (resistive load)
Max. voltage switched by relay	250V AC
Isolation strength between relays	1 min. @ 630V AC
Communication interface	
For measurements	1 x Ethernet 100 MB (RJ-45)
For configuration	1 x USB Device (for configuration and firmware upgrade)
Protection	IP 65 (with transparent door)
Working temperature	-10°C to +50°C
Storage temperature	-20°C to +70°C
Humidity	5 to 90% no condensation
Altitude	Up to 2000 meters above sea level
Enclosure	Safety of Information Technology Equipment EN 60950 RoHS directive 2002/95/EC
Flammability Rating	Complies with UL 508
UV resistance	Complies with UL 508
Case style	DIN-Rail
Case material	Polycarbonate
Case dimensions (mm):	213 x 185 x 120

Technical Datasheet

Weight	T.B.D
Display(Optional)	3.5" graphic TFT, 16-bit color, 320 x 240 pixels, touchscreen navigation
EMC	PN-EN 61326-1
Safety requirements	According to: PN-EN 61010-1 Installation category: II Pollution degree: 2 Voltage in relation to ground: 300V AC Isolation resistance: >20MΩ Isolation strength between power supply and input/output terminal: 1min. @ 2300V

Order code

CX300 – Module with touchscreen display
CX200 – Module without display



200	with 4×RTD, 4×4÷20 mA outputs and 4 relays
300	with 4×RTD, 4×4÷20 mA outputs and 4 relays

Contact and Information

MaintTech

Phone: +46 707 732274

E-mail: mainttech@live.se

www.mainttech.se

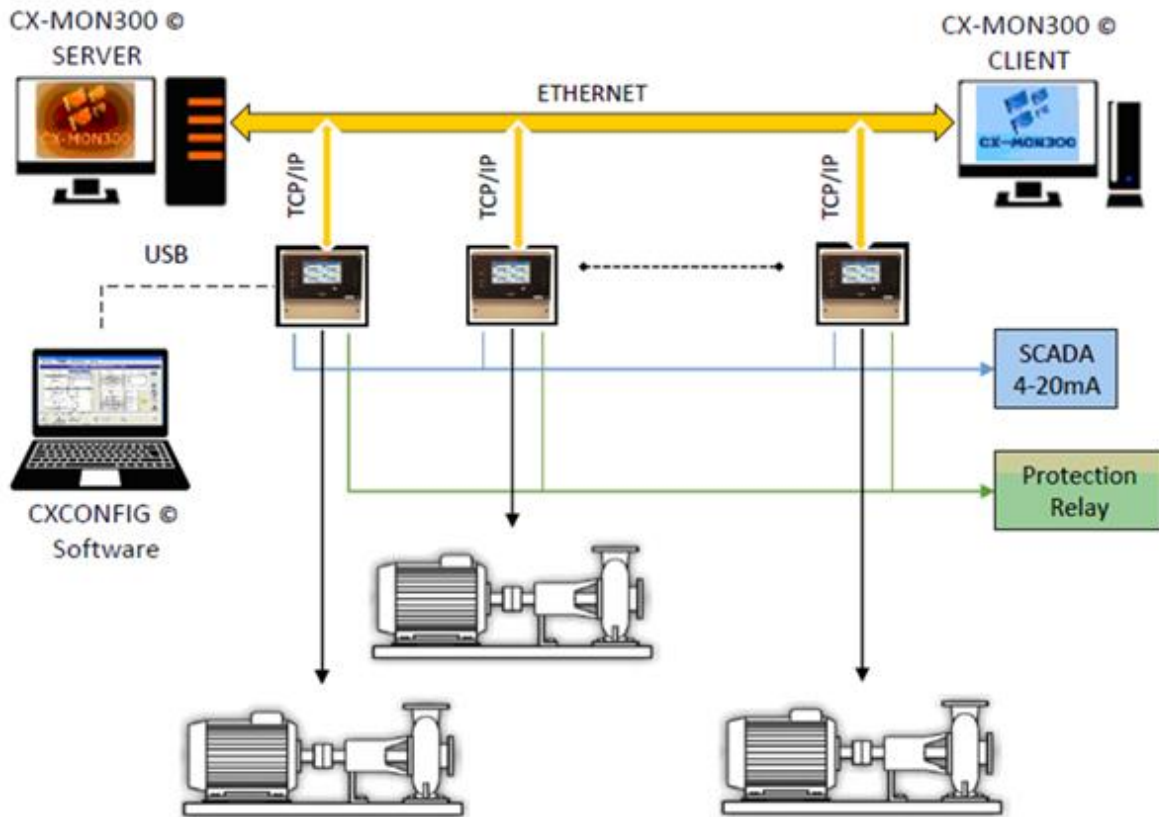
Visiting address

Norrköping Airport

SE-603 61 Norrköping

Sweden

Network Application



CX-MON300 Monitoring Software

