

Conventional Fixtures

Recessed Fitting

Highbay Fitting

Factory Fitting

Channel Fitting with Wire Guard

Channel Fitting

V-Shape Fitting

Weather Proof Fitting

Downlight



MCM-T8-T

T-Bar & Gypsum Fitting with Reflector

Quality factory fitting with 0.6-0.8 mm. thick steel sheet and 99.90% purity anodized aluminium reflector. There are 2 types of reflector available, metal or aluminium.

PRODUCT FEATURES

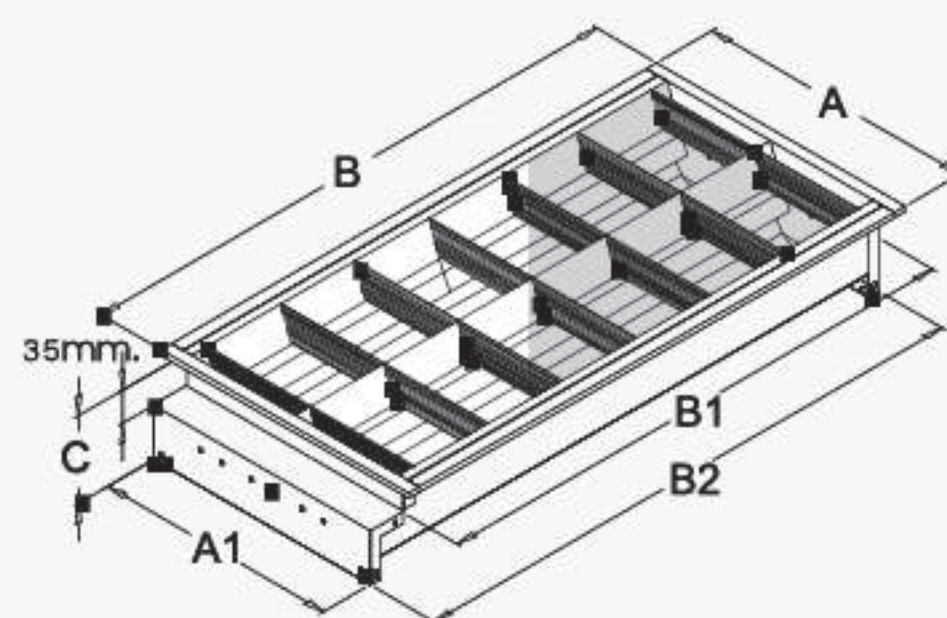
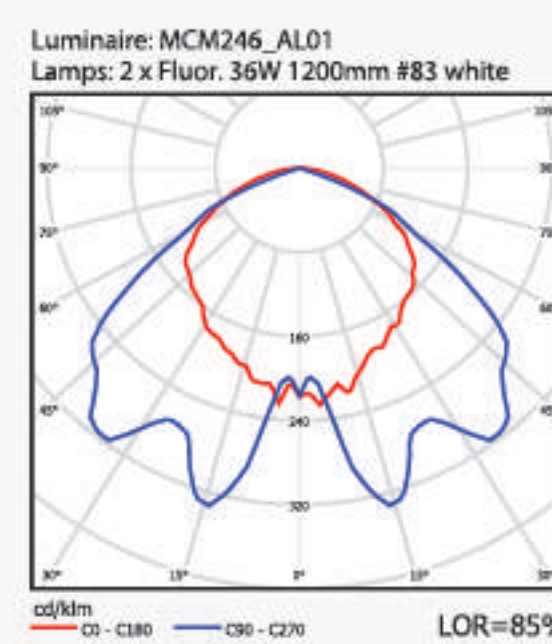
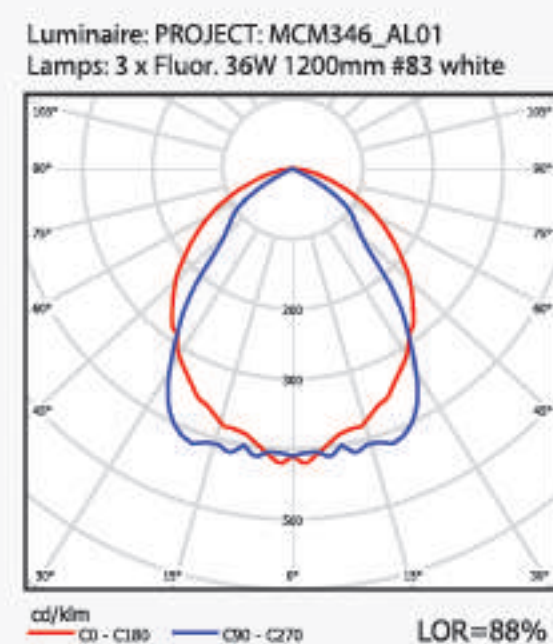
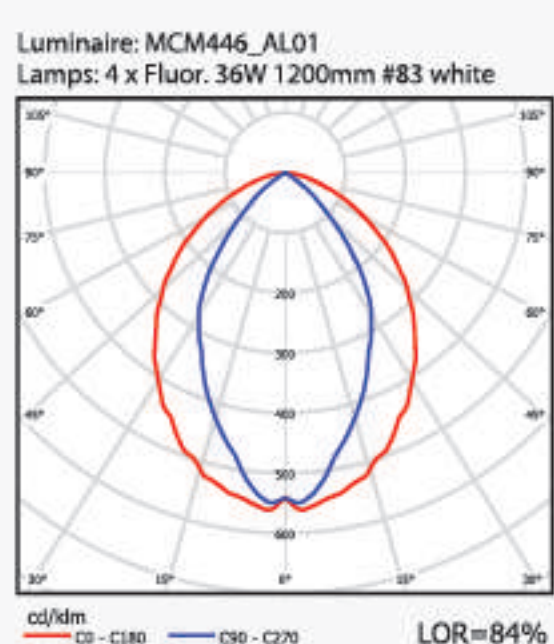
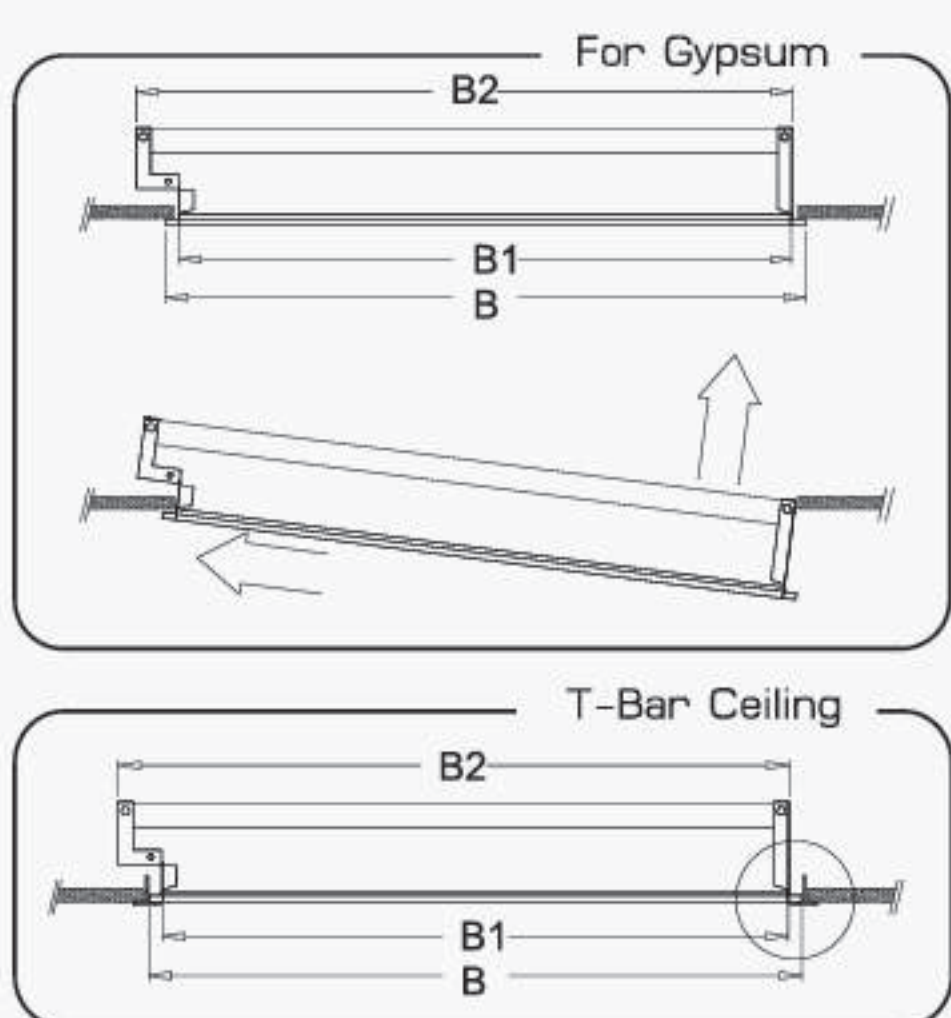
Steel sheet thickness of 0.6-0.8 mm. And all metal parts are rust-proofed after fabrication to prevent any corrosion (zinc phosphate) and finished with high-grade epoxy polyester power coating.

Double sides aluminium reflector 99.90% purity anodized aluminium reflector to provide total reflectors of TR87-95% mirror-finish, parabolic reflectors machined to provide optimum optical performance for maximum high-output-ratio. Or Double side steel reflector with high-grade epoxy polyester power coating.

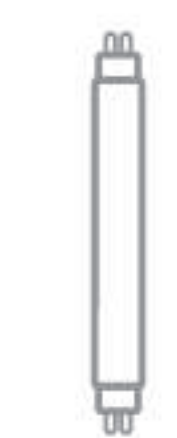
With 99.90% purity anodized aluminium reflector louver to provide total reflectance of up to TR 95% Christmas tree profile cossbars reduce glare significantly.

Rotary lock or spring load (G13) lamp holder certified by TIS NO.344-2549.

THW wire, 0.5-1.0 sqmm. 70 °c-105 °c certified by TIS NO.11-2531.



Model no.	No. of Lamps	A (mm.)	A1 (mm.)	B (mm.)	B1 (mm.)	B2 (mm.)	C (mm.)	Ceiling Cutout (mm.)
MCM226-T	2 x 18W T8 / 2 ft LED tube	600	580	600	575	613	95	585 x 585
MCM326-T	3 x 18W T8 / 2 ft LED tube	600	580	600	575	613	95	585 x 585
MCM426-T	4 x 18W T8 / 2 ft LED tube	600	580	600	575	613	95	585 x 585
MCM246-T	2 x 36W T8 / 4 ft LED tube	600	580	1200	1175	1223	95	585 x 1185
MCM346-T	3 x 36W T8 / 4 ft LED tube	600	580	1200	1175	1223	95	585 x 1185
MCM446-T	4 x 36W T8 / 4 ft LED tube	600	580	1200	1175	1223	95	585 x 1185





MCM-T5-T

T-Bar & Gypsum Fitting with Reflector

Quality factory fitting with 0.6-0.8 mm. thick steel sheet and 99.90% purity anodized aluminium reflector. There are 2 types of reflector available, metal or aluminium.

PRODUCT FEATURES

Steel sheet thickness of 0.6-0.8 mm. And all metal parts are rust-proofed after fabrication to prevent any corrosion (zinc phosphate) and finished with high-grade epoxy polyester power coating.

Double sides aluminium reflector 99.90% purity anodized aluminium reflector to provide total reflectors of TR87-95% mirror-finish, parabolic reflectors machined to provide optimum optical performance for maximum high-output-ratio. Or Double side steel reflector with high-grade epoxy polyester power coating.

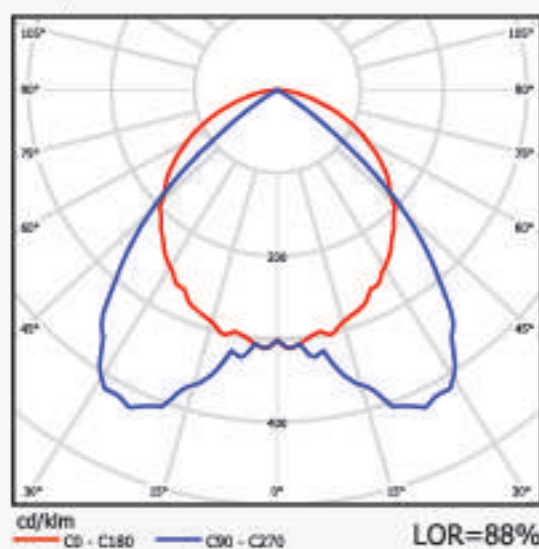
With 99.90% purity anodized aluminium reflector louver to provide total reflectance of up to TR 95% Christmas tree profile cossbars reduce glare significantly.

Rotary lock or spring load (G13) lamp holder certified by TIS NO.344-2549.

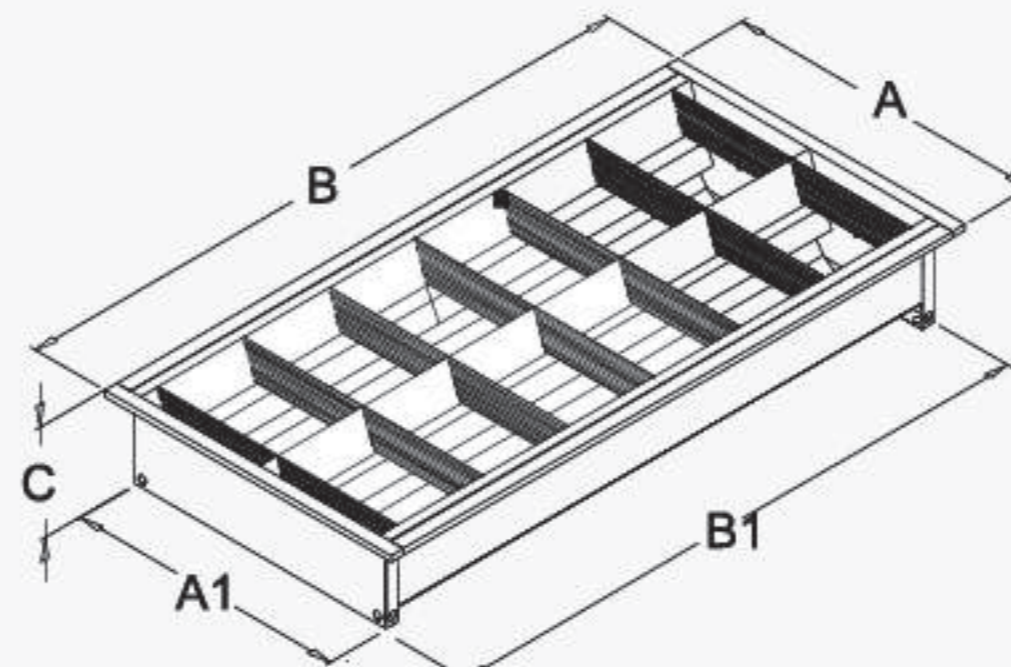
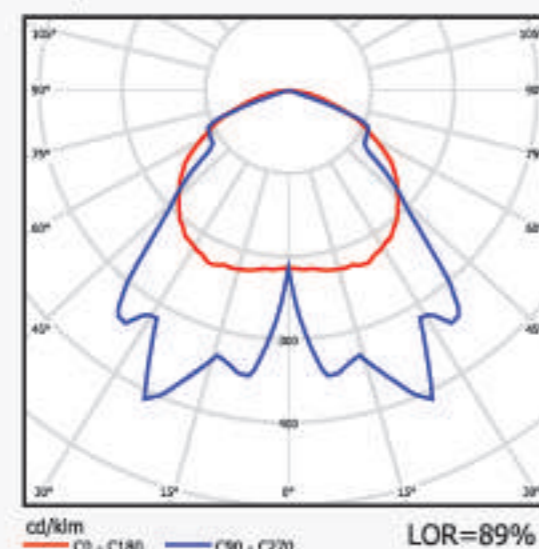
THW wire, 0.5-1.0 sqmm. 70 °c-105 °c certified by TIS NO.11-2531.



Luminaire: PROJECT: MCM2T5_3_28_AL01
Lamps: 2 x Fluor. 28W 4' Silhouette T5



Luminaire: MCM1T5_3_28AL01
Lamps: 1 x Fluor. 28W 4' Silhouette T5



Model no.	No. of Lamps	A (mm.)	A1 (mm.)	B (mm.)	B1 (mm.)	C (mm.)	Ceiling Cutout (mm.)
MCM1T5/3/14-T	1 x 14W T5	300	280	600	575	95	285 x 585
MCM1T5/3/28, 54-T	1 x 28, 54W T5	300	280	1200	1175	95	285 x 1185
MCM2T5/3/14-T	2 x 14W T5	300	280	600	575	95	285 x 585
MCM2T5/3/28, 54-T	2 x 28, 54W T5	300	280	1200	1175	95	285 x 1185

Note : subject to +/-2mm in tolerance

This product is manufactured by partnership of Thai Toshiba Lighting Co., Ltd.



MCP-T8-T

T-Bar & Gypsum Diffused Fitting with AL Reflector

The LED TUBE lets you perfectly light up large rooms and offices. It will ensure bright light and a low consumption of energy. It is now available in 1,700 to 2,400 lm.

PRODUCT FEATURES

Steel sheet thickness of 0.6-0.8 mm. And all metal parts are rust-proofed after fabrication to prevent any corrosion (zinc phosphate) and finished with high-grade epoxy polyester power coating.

Double sides aluminium reflector 99.90% purity anodized aluminium reflector to provide total reflectors of TR87-95% mirror-finish, parabolic reflectors machined to provide optimum optical performance for maximum high-output-ratio.

The diffuser is made of grade A acrylic with 2.0-3.0 mm. thickness.

Rotary lock or spring load (G13) lamp holder certified by TIS NO.344-2549.

THW wire, 0.5-1.0 sqmm. 70 °c-105 °c certified by TIS NO.11-2531.

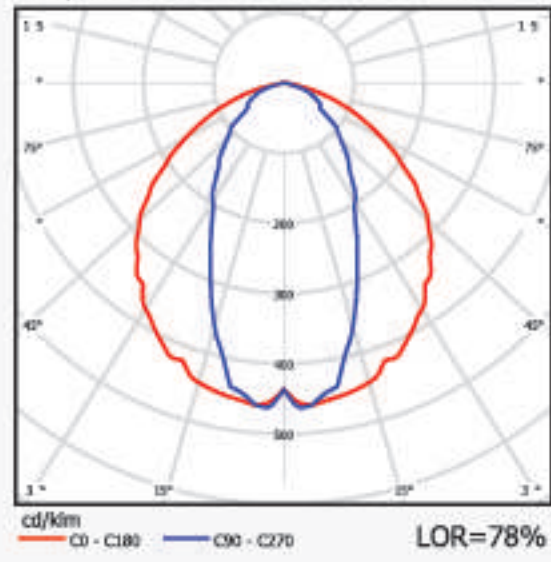


TIS. 902-2532
TTLC

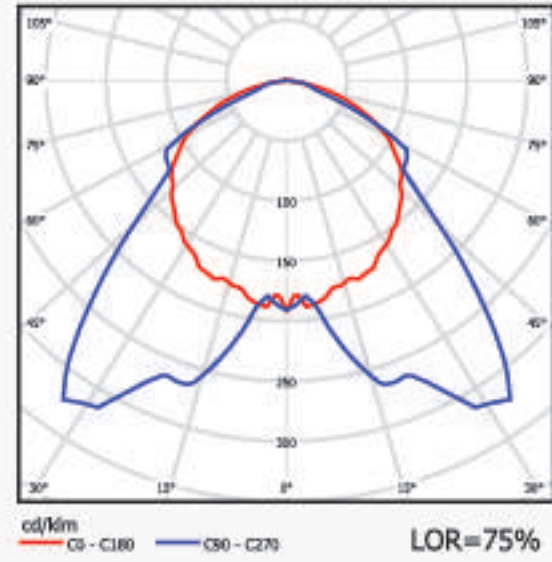


TIS. 1955-2551
TTLC

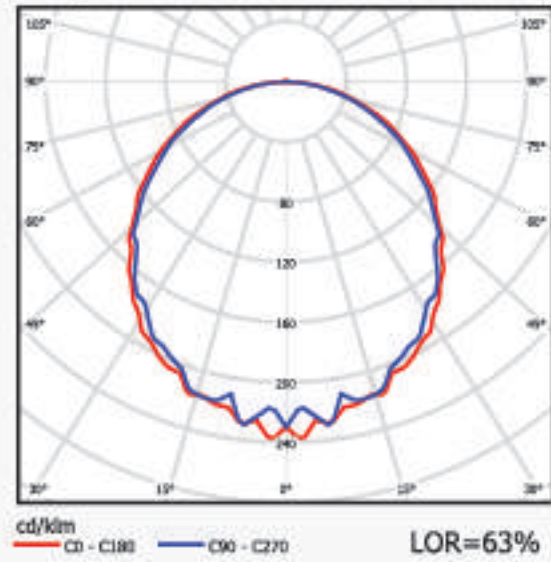
Luminaire: MCP243CS_AL01
Lamps: 2 x Fluor. 36W 1200mm #83 white



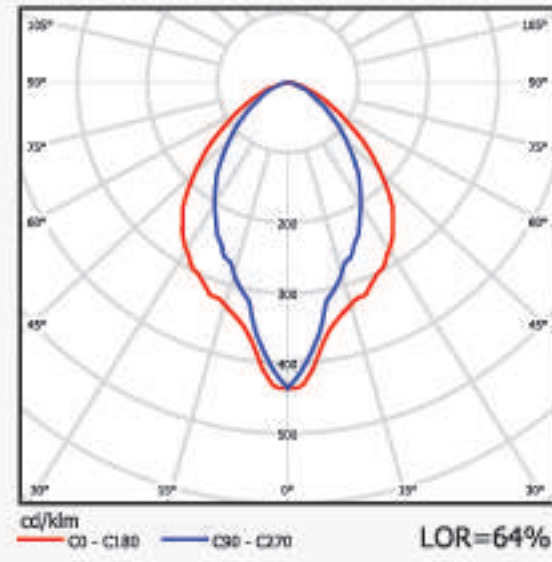
Luminaire: MCP143CS_AL01
Lamps: 1 x Fluor. 36W 1200mm #83 white



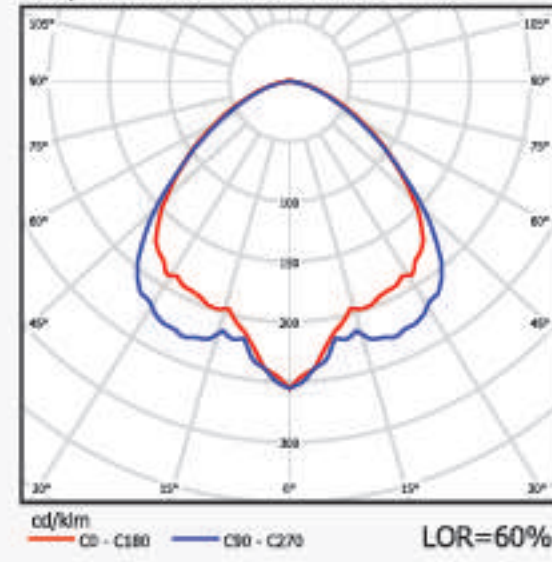
Luminaire: MCP243MU_AL01
Lamps: 2 x Fluor. 36W 1200mm #83 white



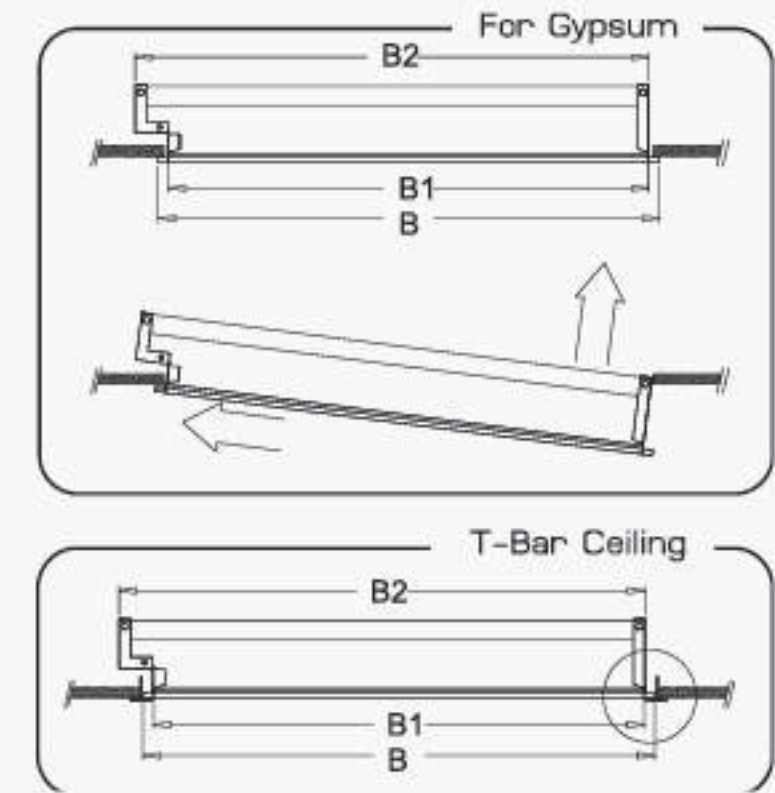
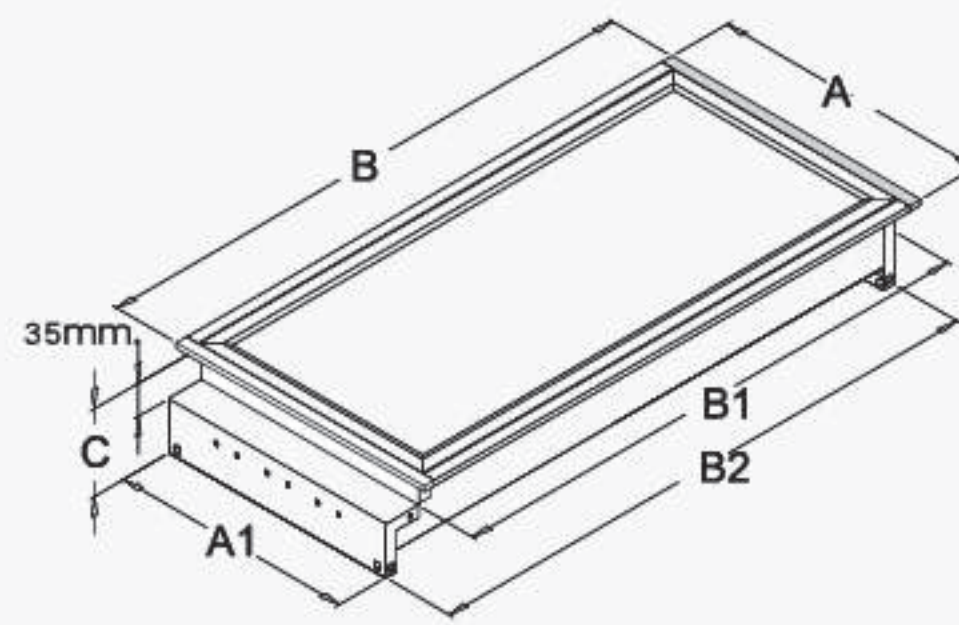
Luminaire: MCP243ES_AL01
Lamps: 2 x Fluor. 36W 1200mm #83 white



Luminaire: MCP143ES_AL01
Lamps: 1 x Fluor. 36W 1200mm #83 white



Compatible with LED tube.



Model no.	No. of Lamps	A (mm.)	A1 (mm.)	B (mm.)	B1 (mm.)	B2 (mm.)	C (mm.)	Ceiling cutout (mm.)
MCP123**-AL-T	1 x 18W T8 / 2 ft LED tube	300	280	600	575	613	95	285 x 585
MCP143**-AL-T	1 x 36W T8 / 4 ft LED tube	300	280	1200	1175	1223	95	285 x 1185
MCP223**-AL-T	2 x 18W T8 / 2 ft LED tube	300	280	600	575	613	95	285 x 585
MCP243**-AL-T	2 x 36W T8 / 4 ft LED tube	300	280	1200	1175	1223	95	285 x 1185

Note : subject to +/-2mm in tolerance

This product is manufactured by partnership of Thai Toshiba Lighting Co., Ltd.





MSM-T8-T

Surface fitting with Reflector

Quality factory fitting with 0.6-0.8 mm. thick steel sheet and 99.90% purity anodized aluminium reflector. There are 2 types of reflector available, metal or aluminium.

PRODUCT FEATURES

Steel sheet thickness of 0.6-0.8 mm. And all metal parts are rust-proofed after fabrication to prevent any corrosion (zinc phosphate) and finished with high-grade epoxy polyester power coating.

Double sides aluminium reflector 99.90% purity anodized aluminium reflector to provide total reflectors of TR87-95% mirror-finish, parabolic reflectors machined to provide optimum optical performance for maximum high-output-ratio. Or Double side steel reflector with high-grade epoxy polyester power coating.

With 99.90% purity anodized aluminium reflector louver to provide total reflectance of up to TR 95% Christmas tree profile cossbars reduce glare significantly.

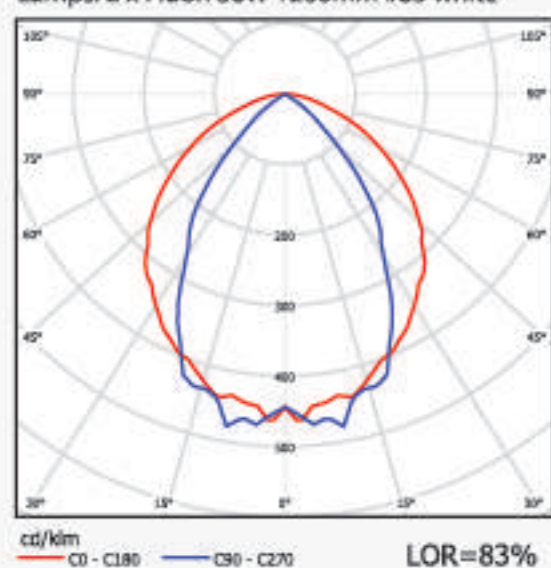
Rotary lock or spring load (G13) lamp holder certified by TIS NO.344-2549.

THW wire, 0.5-1.0 sqmm. 70 °c-105 °c certified by TIS NO.11-2531.

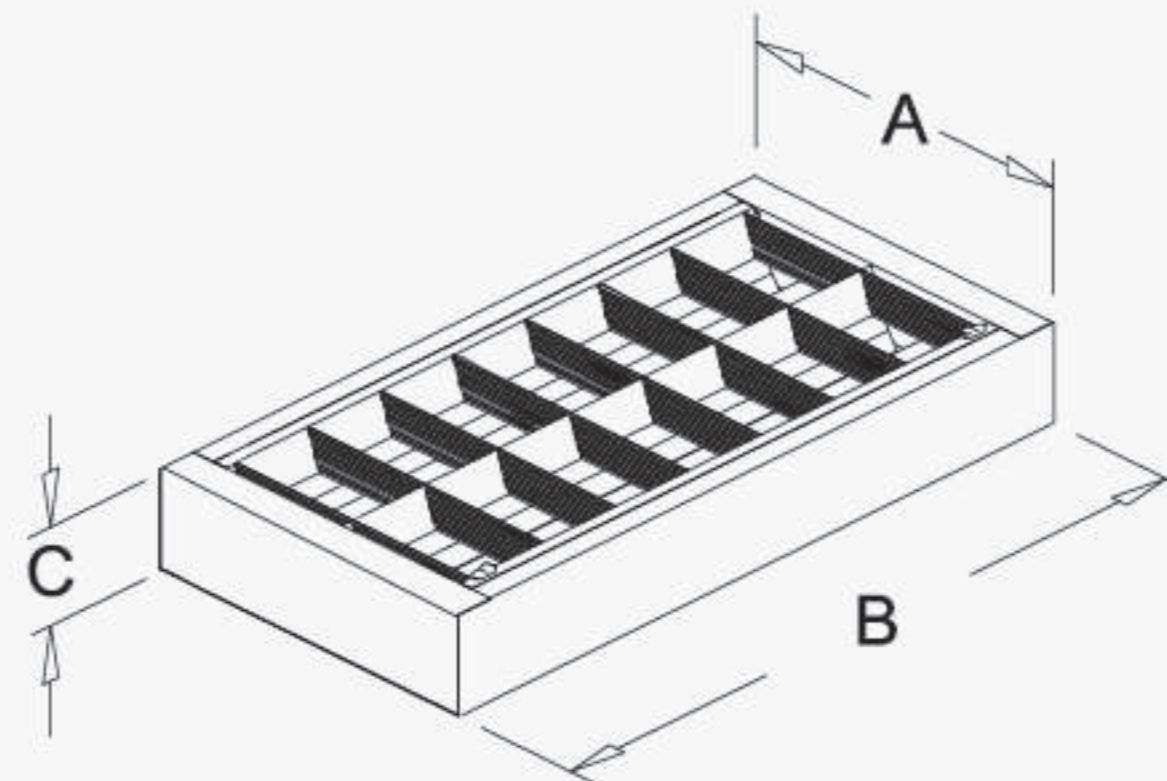
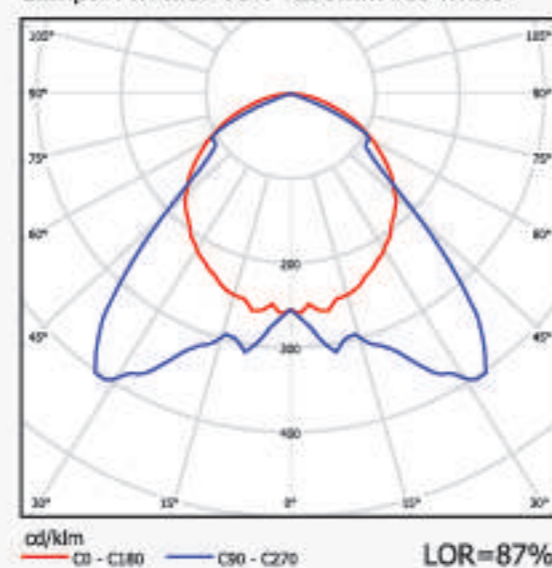
* Compatible with LED tube.



Luminaire: PROJECT: MSM243 -AL01
Lamps: 2 x Fluor. 36W 1200mm #83 white



Luminaire: MSM143_AL01
Lamps: 1 x Fluor. 36W 1200mm #83 white



Model no.	No. of Lamps	A (mm.)	B (mm.)	C (mm.)
MSM123-T	1 x 18W T8 / 2 ft LED tube	320	630	100
MSM223-T	2 x 18W T8 / 2 ft LED tube	320	630	100
MSM143-T	1 x 36W T8 / 4 ft LED tube	320	1225	100
MSM243-T	2 x 36W T8 / 4 ft LED tube	320	1225	100

Note : subject to +/-2mm in tolerance

This product is manufactured by partnership of Thai Toshiba Lighting Co., Ltd.



MSM-T5-T/3

Surface Fitting with Reflector

Quality factory fitting with 0.6-0.8 mm. thick steel sheet and 99.90% purity anodized aluminium reflector. There are 2 types of reflector available, metal or aluminium.

PRODUCT FEATURES

Steel sheet thickness of 0.6-0.8 mm. And all metal parts are rust-proofed after fabrication to prevent any corrosion (zinc phosphate) and finished with high-grade epoxy polyester power coating.

Double sides aluminium reflector 99.90% purity anodized aluminium reflector to provide total reflectors of TR87-95% mirror-finish, parabolic reflectors machined to provide optimum optical performance for maximum high-output-ratio. Or Double side steel reflector with high-grade epoxy polyester power coating.

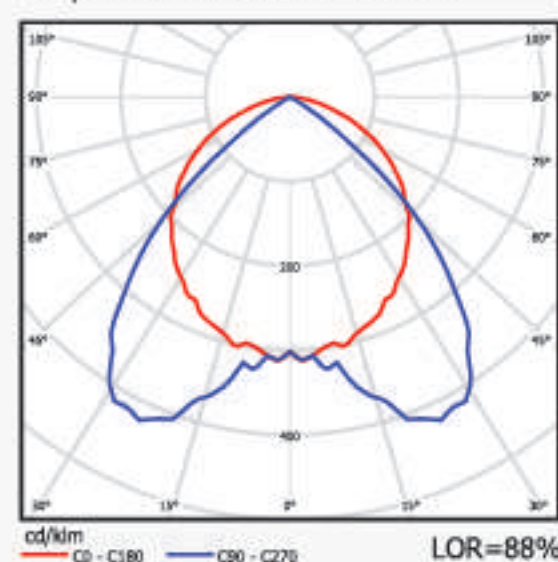
With 99.90% purity anodized aluminium reflector louver to provide total reflectance of up to TR 95% Christmas tree profile cossbars reduce glare significantly.

Rotary lock or spring load (G13) lamp holder certified by TIS NO.344-2549.

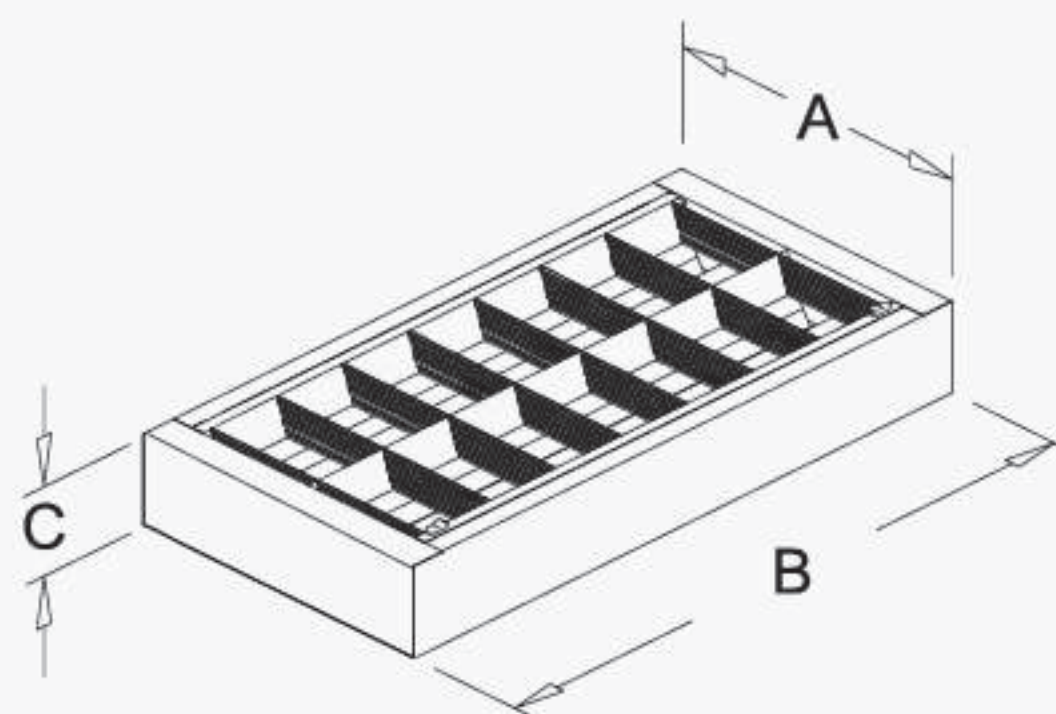
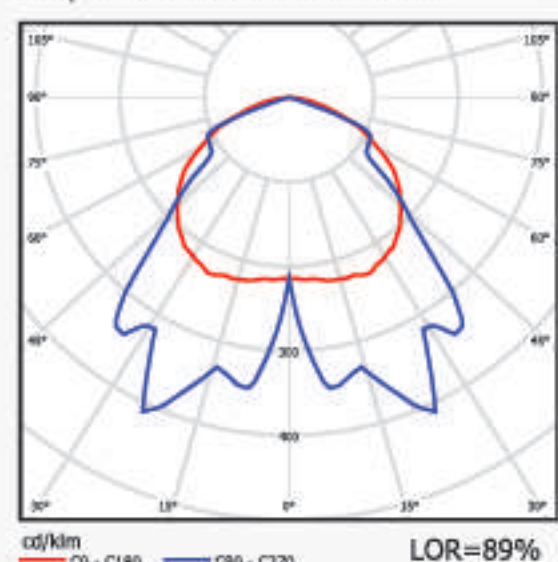
THW wire, 0.5-1.0 sqmm. 70°C-105°C certified by TIS NO.11-2531.



Luminaire: PROJECT: MSM2T5_3_28_AL01
Lamps: 2 x Fluor. 28W 4' Silhouette T5



Luminaire: MSM1T5_3_28AL01
Lamps: 1 x Fluor. 28W 4' Silhouette T5



Model no.	No. of Lamps	A (mm.)	B (mm.)	C (mm.)
MSM1T5/3/14-T	1 x 14W T5	320	630	100
MSM2T5/3/14-T	2 x 14W T5	320	630	100
MSM1T5/3/28,54-T	1 x 28W, 54W T5	320	1225	100
MSM2T5/3/28,54-T	2 x 28W, 54W T5	320	1225	100

Note : subject to +/-2mm in tolerance

This product is manufactured by partnership of Thai Toshiba Lighting Co., Ltd.





MSM-T5-T/6

Surface Fitting with Reflector

Quality factory fitting with 0.6-0.8 mm. thick steel sheet and 99.90% purity anodized aluminium reflector. There are 2 types of reflector available, metal or aluminium.

PRODUCT FEATURES

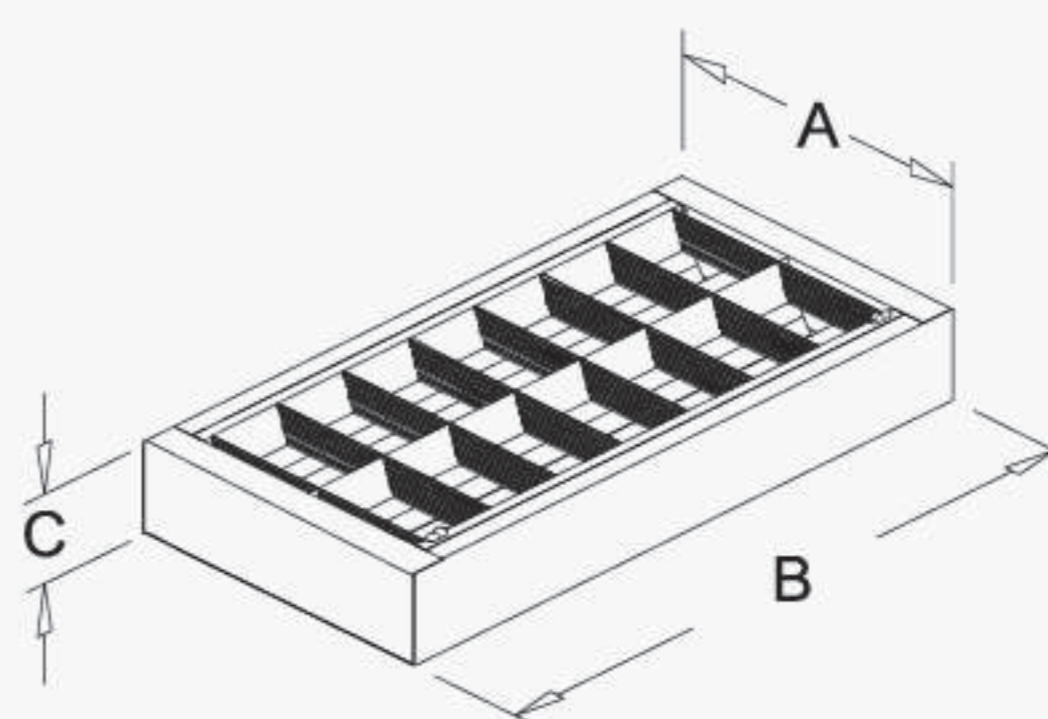
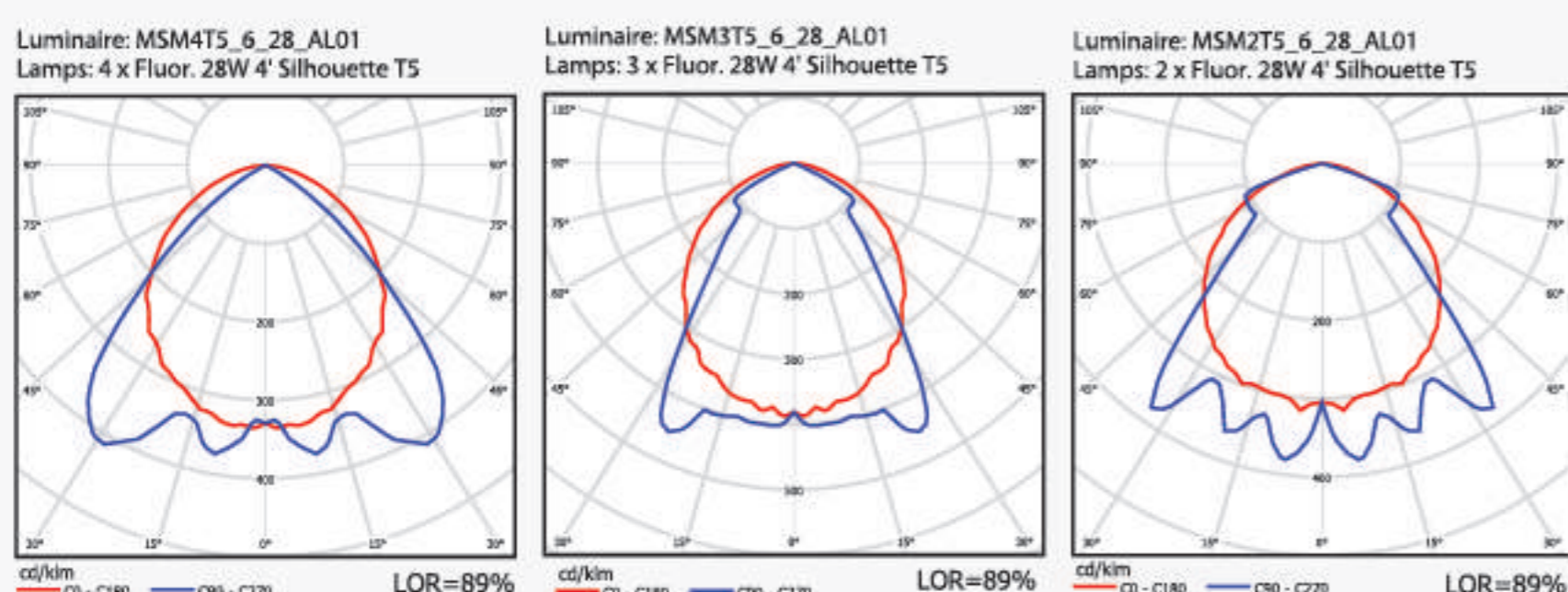
Steel sheet thickness of 0.6-0.8 mm. And all metal parts are rust-proofed after fabrication to prevent any corrosion (zinc phosphate) and finished with high-grade epoxy polyester power coating.

Double sides aluminium reflector 99.90% purity anodized aluminium reflector to provide total reflectors of TR87-95% mirror-finish, parabolic reflectors machined to provide optimum optical performance for maximum high-output-ratio. Or Double side steel reflector with high-grade epoxy polyester power coating.

With 99.90% purity anodized aluminium reflector louver to provide total reflectance of up to TR 95% Christmas tree profile cossbars reduce glare significantly.

Rotary lock or spring load (G13) lamp holder certified by TIS NO.344-2549.

THW wire, 0.5-1.0 sqmm. 70 °c-105 °c certified by TIS NO.11-2531.



Model no.	No. of Lamps	A (mm.)	B (mm.)	C (mm.)
MSM2T5/6/14-T	2 x 14W T5	620	630	100
MSM3T5/6/14-T	3 x 14W T5	620	630	100
MSM4T5/6/14-T	4 x 14W T5	620	630	100
MSM2T5/6/28,54-T	2 x 28W, 54W T5	620	1225	100
MSM3T5/6/28,54-T	3 x 28W, 54W T5	620	1225	100
MSM4T5/6/28,54-T	4 x 28W, 54W T5	620	1225	100

Note : subject to +/-2mm in tolerance

This product is manufactured by partnership of Thai Toshiba Lighting Co., Ltd.



MSP-T8-T

Surface Diffused Fitting with AL Reflector

Quality surface prismatic diffused fitting with 0.6-0.8 mm. thick steel sheet and 99.90% purity anodized aluminium reflector.

PRODUCT FEATURES

Steel sheet thickness of 0.6-0.8 mm. And all metal parts are rust-proofed after fabrication to prevent any corrosion (zinc phosphate) and finished with high-grade epoxy polyester power coating.

Double sides aluminium reflector 99.90% purity anodized aluminium reflector to provide total reflectors of TR87-95% mirror-finish, parabolic reflectors machined to provide optimum optical performance for maximum high-output-ratio.

The diffuser is made of grade A acrylic with 2.0-3.0 mm. thickness.

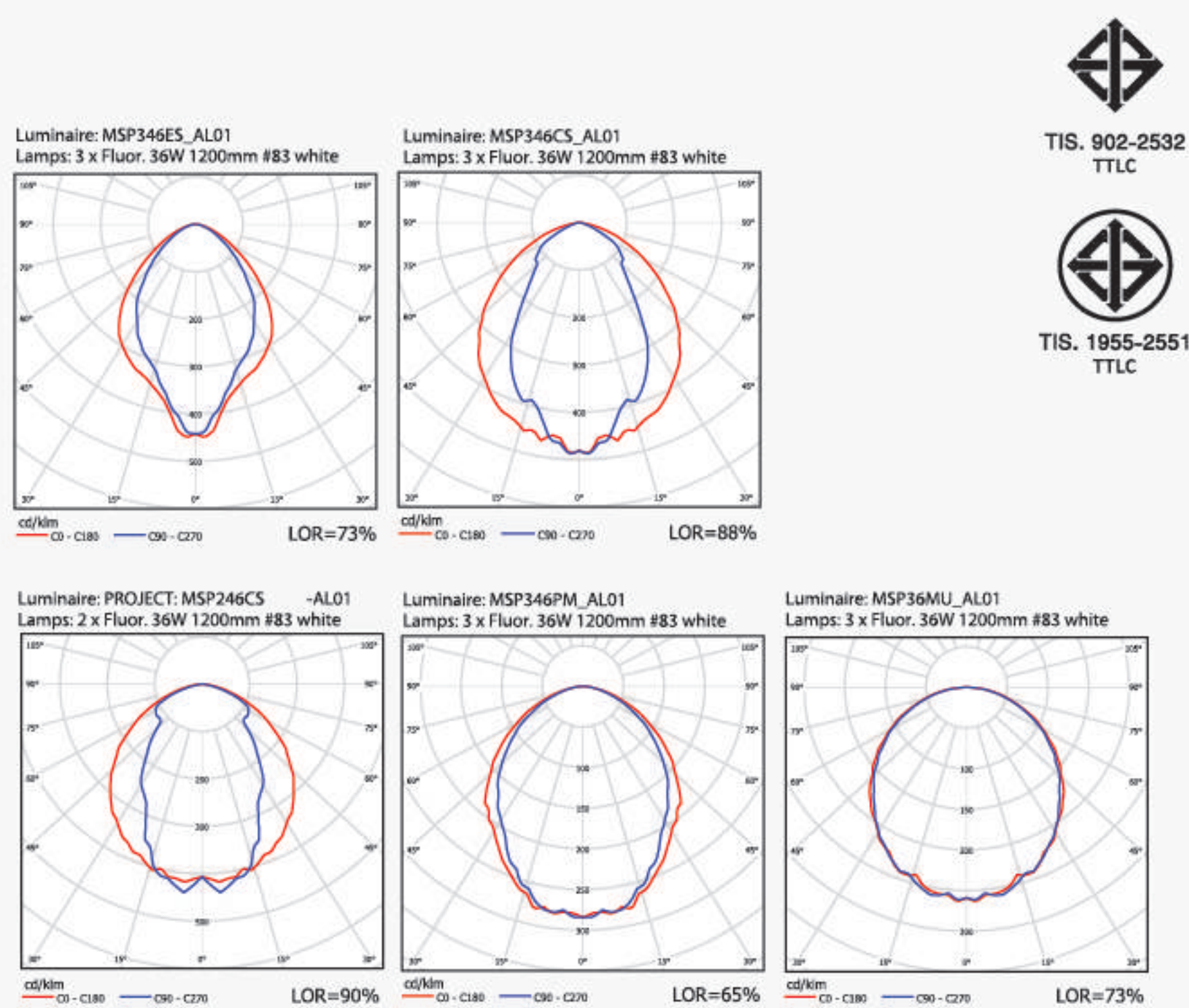
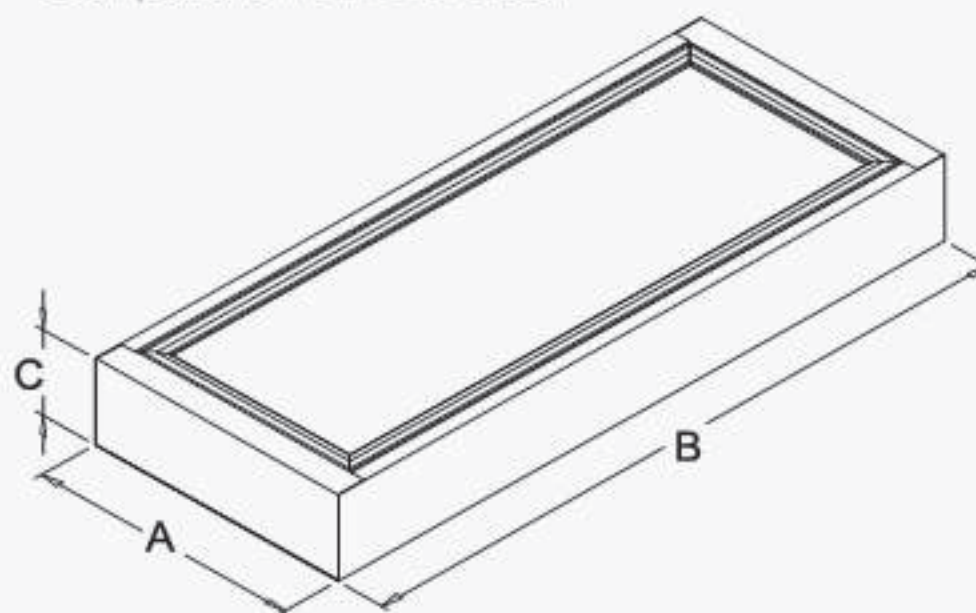
Rotary lock or spring load (G13) lamp holder certified by TIS NO.344-2549.

THW wire, 0.5-1.0 sqmm. 70 °c-105 °c certified by TIS NO.11-2531.

Diffuser option : (**)

Prismatic = PM, Opal = MU, Stipple = ES, Clear = CS

* Compatible with LED tube.



Model no.	No. of Lamps	A (mm.)	B (mm.)	C (mm.)
MSP226**-AL-T	2 x 18W T8 / 2ft LED Tube	620	630	100
MSP326**-AL-T	3 x 18W T8 / 2ft LED Tube	620	630	100
MSP426**-AL-T	4 x 18W T8 / 2ft LED Tube	620	630	100
MSP246**-AL-T	2 x 36W T8 / 4ft LED Tube	620	1225	100
MSP346**-AL-T	3 x 36W T8 / 4ft LED Tube	620	1225	100
MSP446**-AL-T	4 x 36W T8 / 4ft LED Tube	620	1225	100

Note : subject to +/-2mm in tolerance

This product is manufactured by partnership of Thai Toshiba Lighting Co., Ltd.





MSP-T5-T

Surface Diffused Fitting with AL Reflector

Quality surface prismatic diffused fitting with 0.6-0.8 mm. thick steel sheet and 99.90% purity anodized aluminium reflector.

PRODUCT FEATURES

Steel sheet thickness of 0.6-0.8 mm. And all metal parts are rust-proofed after fabrication to prevent any corrosion (zinc phosphate) and finished with high-grade epoxy polyester power coating.

Double sides aluminium reflector 99.90% purity anodized aluminium reflector to provide total reflectors of TR87-95% mirror-finish, parabolic reflectors machined to provide optimum optical performance for maximum high-output-ratio.

The diffuser is made of grade A acrylic with 2.0-3.0 mm. thickness.

Rotary lock or spring load (G13) lamp holder certified by TIS NO.344-2549.

THW wire, 0.5-1.0 sqmm. 70 °c-105 °c certified by TIS NO.11-2531.

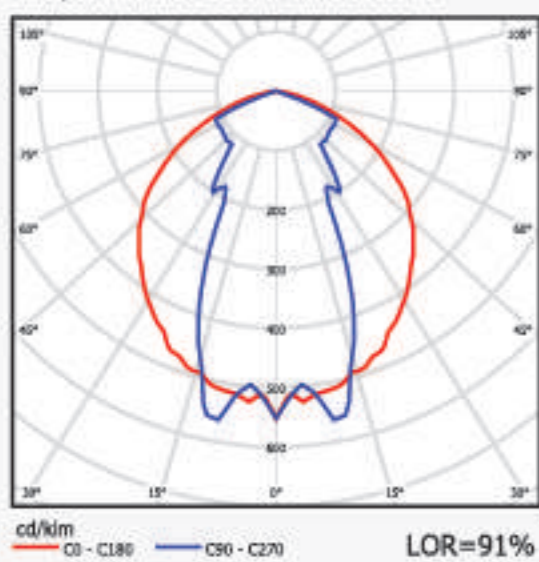


TIS. 902-2532
TTLC

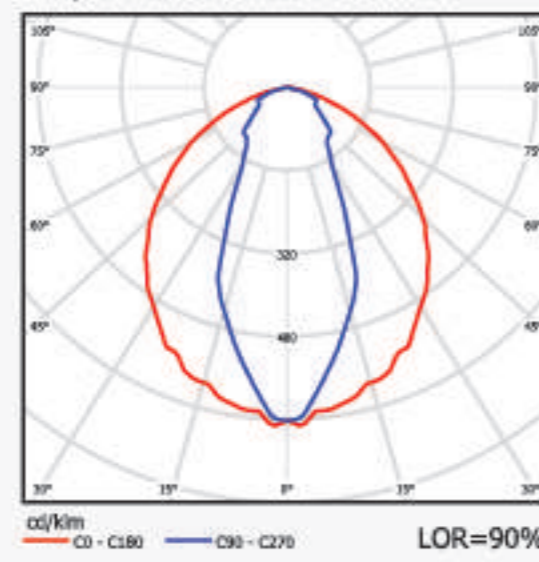


TIS. 1955-2551
TTLC

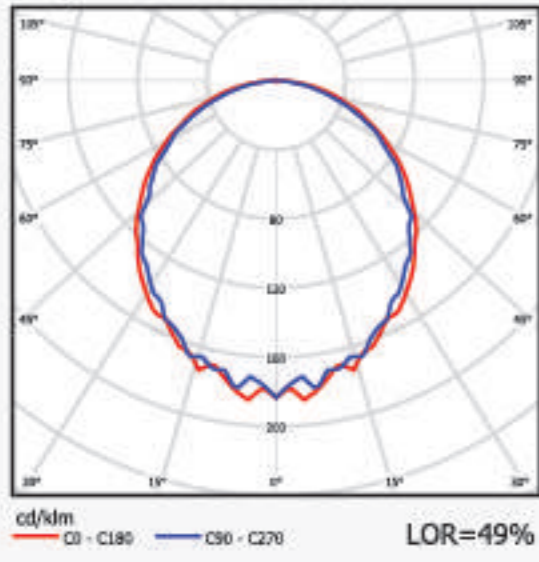
Luminaire: MSP1T5_3_28CS_AL01
Lamps: 1 x Fluor. 28W 4' Silhouette T5



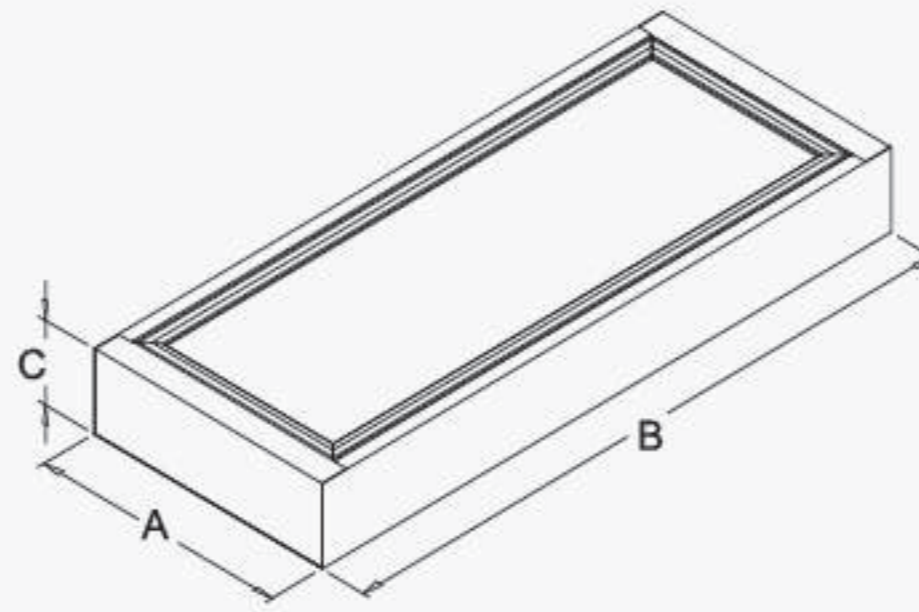
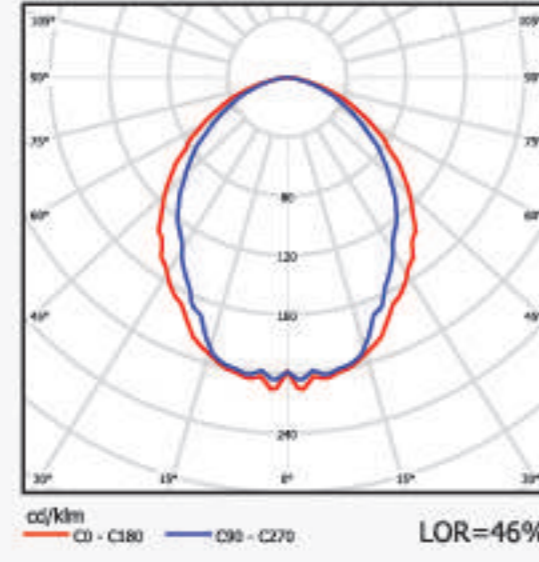
Luminaire: MSP2T5_3-28CS -AL01
Lamps: 2 x Fluor. 28W 4' Silhouette T5



Luminaire: MSP1T5_3-28MU -AL01
Lamps: 1 x Fluor. 28W 4' Silhouette T5



Luminaire: MSP1T5_3-28PM -AL01
Lamps: 1 x Fluor. 28W 4' Silhouette T5



Diffuser option : (**)

Prismatic = PM, Opal = MU, Stipple = ES, Clear = CS

Model no.	No. of Lamps	A (mm.)	B (mm.)	C (mm.)
MSP1T5/3/14**-AL-T	1 x 14W T5	320	630	100
MSP2T5/3/14**-AL-T	2 x 14W T5	320	630	100
MSP1T5/3/28, 54**-AL-T	1 x 28, 54W T5	320	1225	100
MSP2T5/3/28, 54**-AL-T	2 x 28, 54W T5	320	1225	100

Note : subject to -/+2mm in tolerance

This product is manufactured by partnership of Thai Toshiba Lighting Co., Ltd.



MSB-T5/T8-T

Highbay Fitting with Acrylic Diffuser

These “high-bay” applications are typically found in warehouses, factories, large retail stores and sports facilities. In recent years the improvements in fluorescent lamps (T8, T5 high output lamps) and the emergence of new high-intensity fluorescent fixtures have made fluorescent lighting the most cost-effective choice for lighting indoor areas with high ceiling. High bay fluorescent fitting are more energy-efficient than HID solutions, feature lower lumen depreciation rates and therefore have longer service intervals. Further benefits are instant start-up and restrike, better color rendering (CRI>80) negligible color shift and less shadows.

PRODUCT FEATURES

Steel sheet thickness of 0.6-0.8 mm. And all metal parts are rust-proofed after fabrication to prevent any corrosion (zinc phosphate) and finished with high-grade epoxy polyester power coating.

Double sides aluminium reflector 99.90% purity anodized aluminium reflector to provide total reflectors of TR87-95% mirror-finish, parabolic reflectors machined to provide optimum optical performance for maximum high-output-ratio.

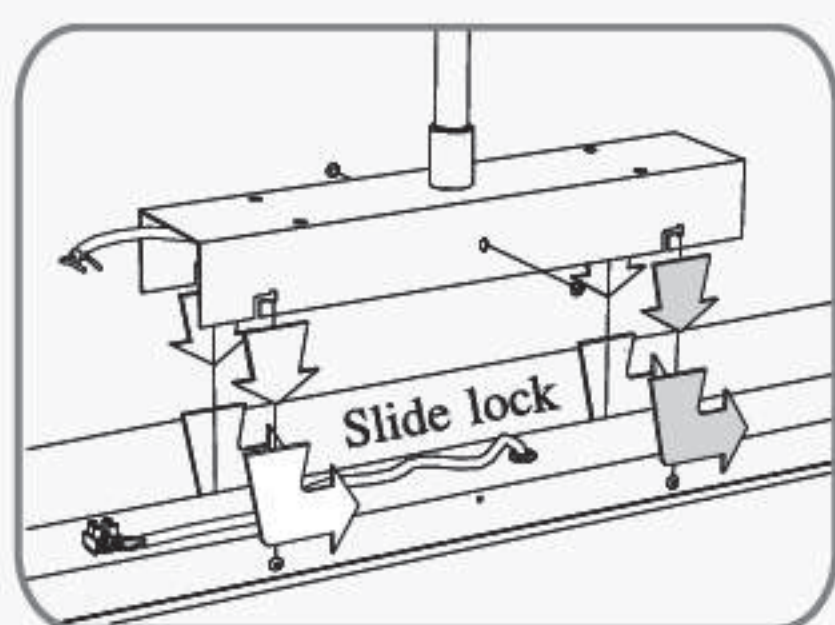
The diffuser is made of grade A acrylic with 2.0-3.0 mm. thickness.

Frame for diffuser is made of 0.8mm thickness steel sheet with epoxy polyester power coating. Rubber around front cover to protect dust, suitable for use in GMP-approved environment. Steelclip lock at front cover.

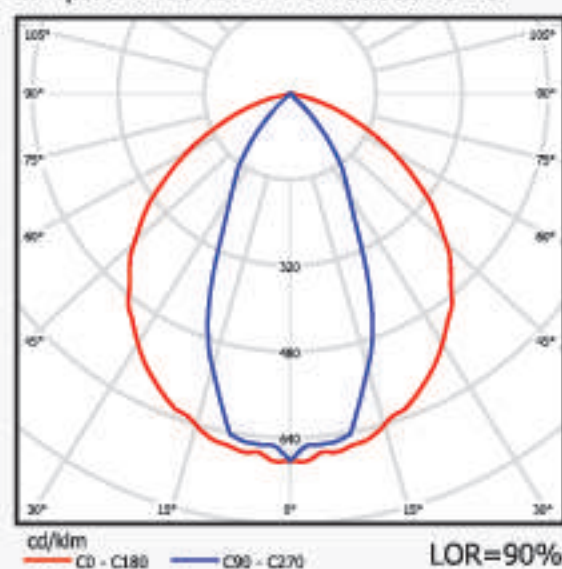
Rotary lock (G13) lamp holder certified by TIS NO.344-2549.

THW wire, 0.5-1.0 sqmm. 70 °c-105 °c certified by TIS NO.11-2531.

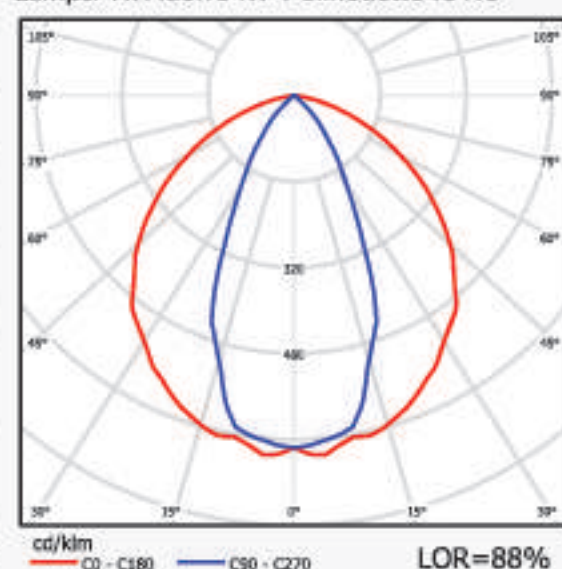
Diffuser finishes : Clear = CS



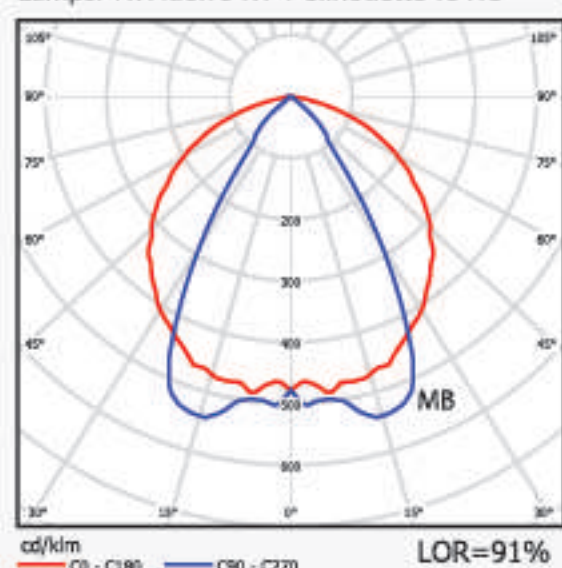
Luminaire: MSB554CS -AL01
Lamps: 5 x Fluor. 54W 4' Silhouette T5 HO



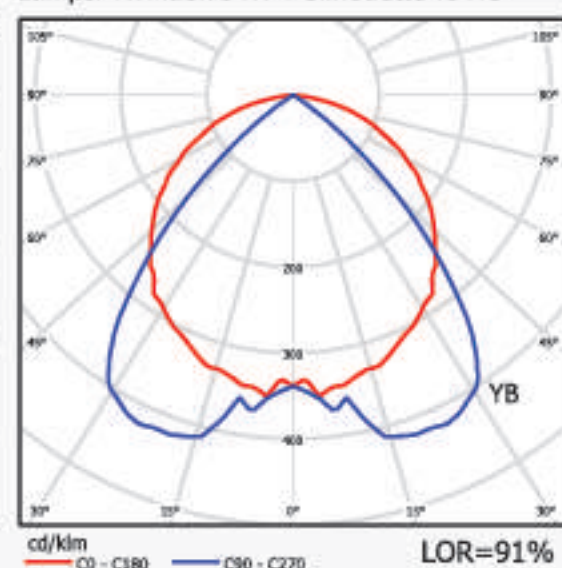
Luminaire: MSB454CS_AL01
Lamps: 4 x Fluor. 54W 4' Silhouette T5 HO



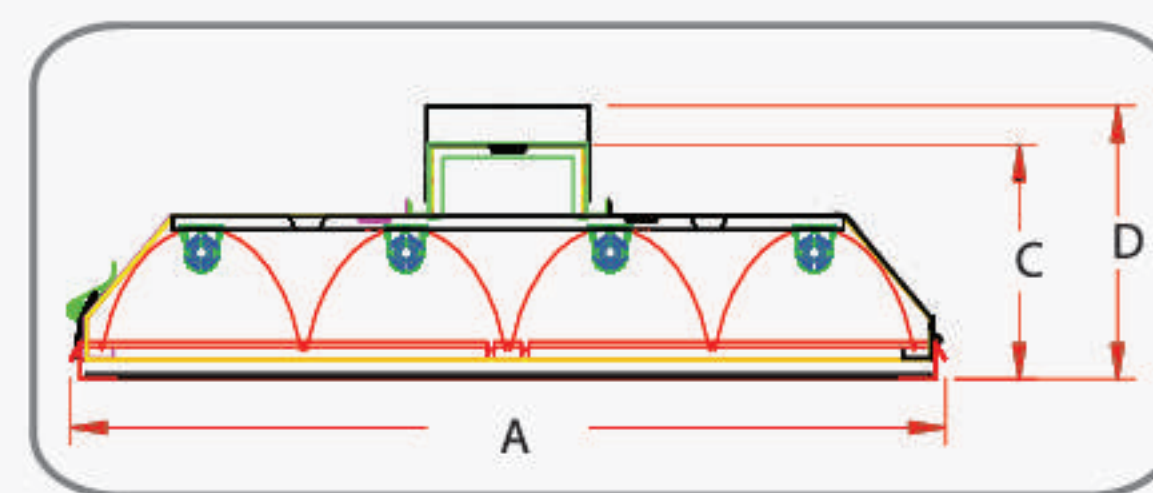
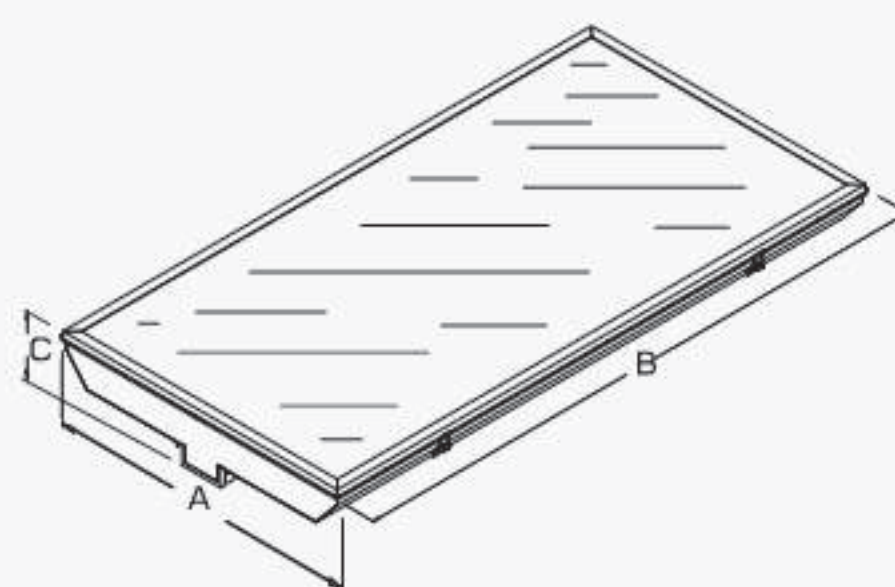
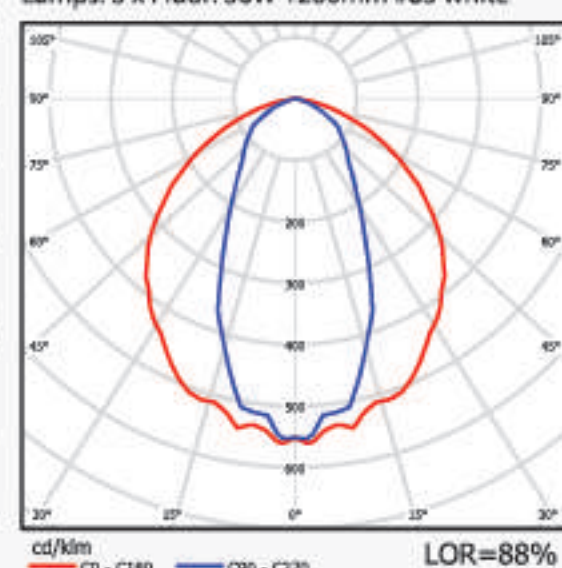
Luminaire: MSB454CS_AL01 -MB
Lamps: 4 x Fluor. 54W 4' Silhouette T5 HO



Luminaire: MSB454CS_AL01 -YB
Lamps: 4 x Fluor. 54W 4' Silhouette T5 HO



Luminaire: MSB340CS -AL01
Lamps: 3 x Fluor. 36W 1200mm #83 white



Model no.	No. of Lamps	A (mm.)	B (mm.)	C (mm.)	C1 (mm.)
MSB454CS-AL-T	4 x 54W T5	500	1230	135	150
MSB554CS-AL-T	5 x 54W T5	500	1230	135	150
MSB340CS-AL-T	3 x 36W T8 / 4 ft LED tube	500	1230	135	150

Note : subject to +/-2mm in tolerance ; MSB340CSAL-T is compatible with LED tube.

* Highbay Fitting for 4 x 36W T8 / 4ft LED tube also available

This product is manufactured by partnership of Thai Toshiba Lighting Co., Ltd.





MFW-T8-T

Factory Fitting with Reflector 1xT8

Quality factory fitting with 0.6-0.8 mm. thick steel sheet and 99.90% purity anodized aluminium reflector. There are 2 types of reflector available, metal or aluminium.

PRODUCT FEATURES

Steel sheet thickness of 0.6-0.8 mm. And all metal parts are rust-proofed after fabrication to prevent any corrosion (zinc phosphate) and finished with high-grade epoxy polyester power coating.

Double sides aluminium reflector 99.90% purity anodized aluminium reflector to provide total reflectors of TR87-95% mirror-finish, parabolic reflectors machined to provide optimum optical performance for maximum high-output-ratio. Or Double side steel reflector with high-grade epoxy polyester power coating.

Rotary lock (G13) lamp holder certified by TIS NO.344-2549.

THW wire, 0.5-1.0 sqmm. 70 °c-105 °c certified by TIS NO.11-2531.

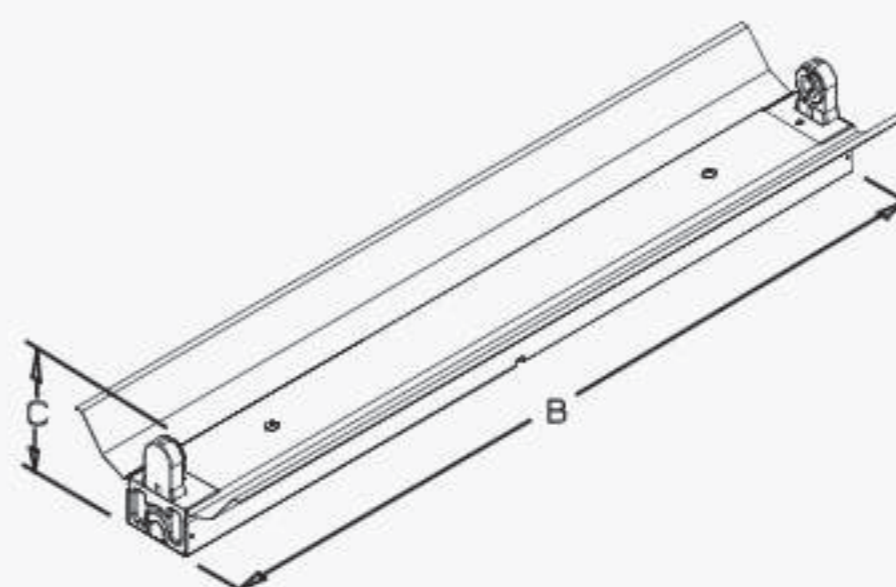
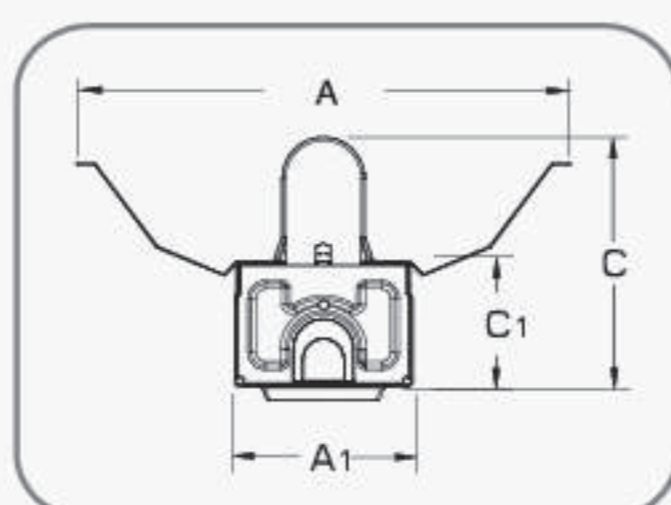
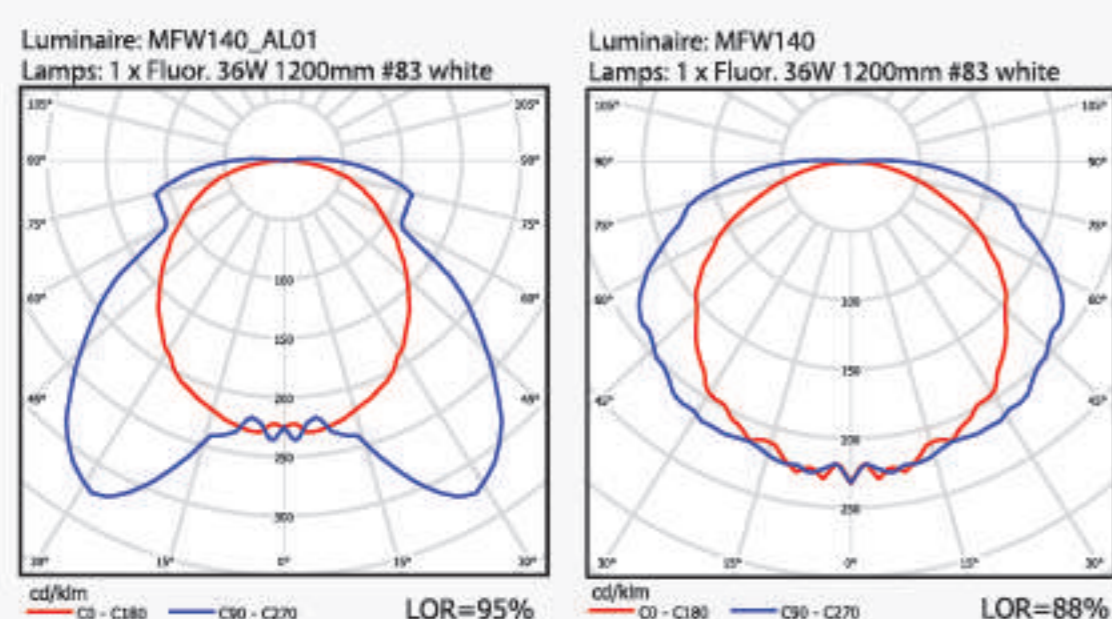
* Compatible with LED tube.



TIS. 902-2532
TTL



TIS. 1955-2551
TTL



Model no.	No. of Lamps	A (mm.)	A1 (mm.)	B (mm.)	C (mm.)	C1 (mm.)
MFW120-T	1 x 18W T8 / 2 ft LED tube	140	53	613	95	40
MFW140-T	1 x 36W T8 / 4 ft LED tube	140	53	1223	95	40
MFW120S-T	1 x 18W T8 / 2 ft LED tube	140	53	635	110	40
MFW140S-T	1 x 36W T8 / 4 ft LED tube	140	53	1245	110	40
MFW120-AL-T	1 x 18W T8 / 2 ft LED tube	140	53	613	95	40
MFW140-AL-T	1 x 36W T8 / 4 ft LED tube	140	53	1223	95	40
MFW120S-AL-T	1 x 18W T8 / 2 ft LED tube	140	53	635	110	40
MFW140S-AL-T	1 x 36W T8 / 4 ft LED tube	140	53	1245	110	40

Note : subject to +/-2mm in tolerance

This product is manufactured by partnership of Thai Toshiba Lighting Co., Ltd.



MFWT-T8-T

Factory Fitting with Reflector 2xT8

Quality factory fitting with 0.6-0.8 mm. thick steel sheet and 99.90% purity anodized aluminium reflector. There are 2 types of reflector available, metal or aluminium.

PRODUCT FEATURES

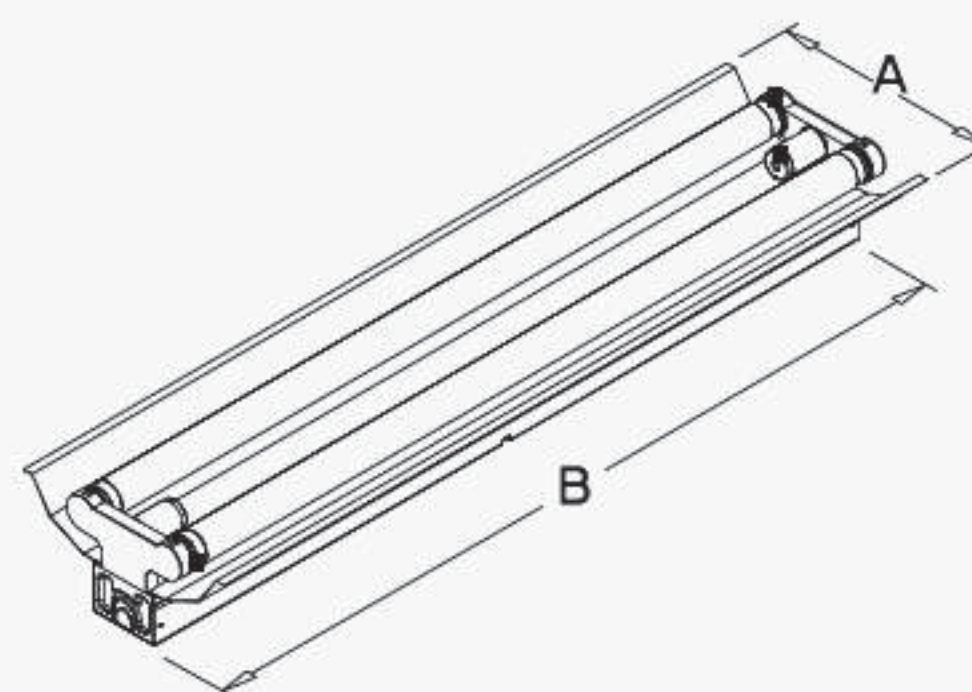
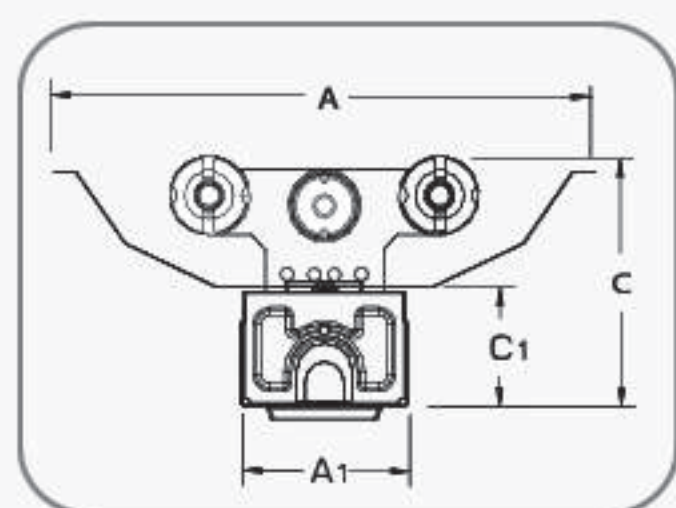
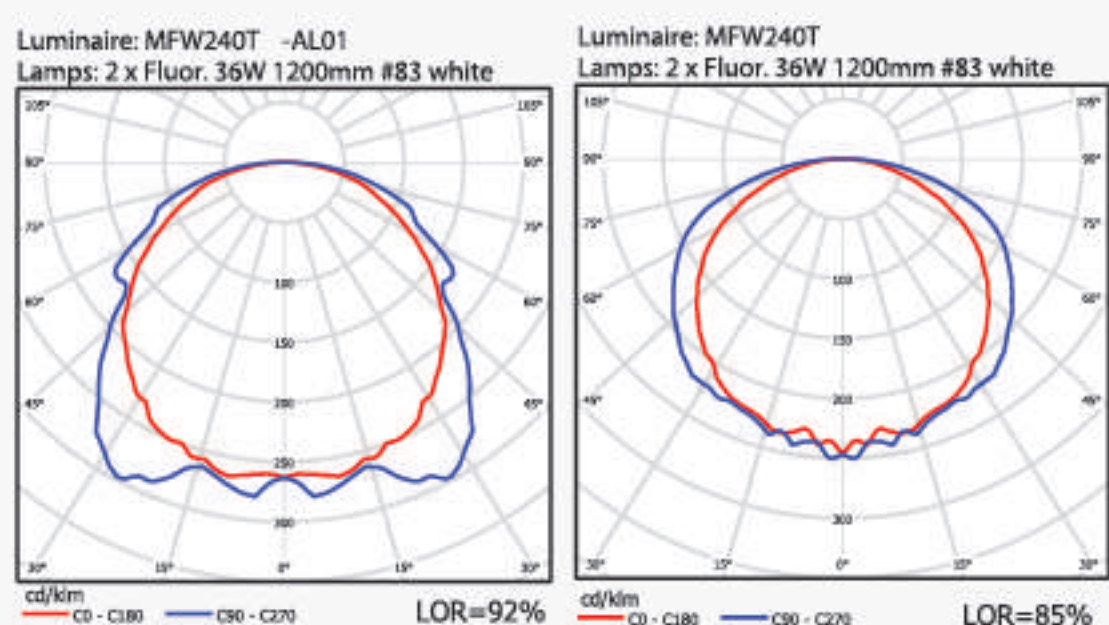
Steel sheet thickness of 0.6-0.8 mm. And all metal parts are rust-proofed after fabrication to prevent any corrosion (zinc phosphate) and finished with high-grade epoxy polyester power coating.

Double sides aluminium reflector 99.90% purity anodized aluminium reflector to provide total reflectors of TR87-95% mirror-finish, parabolic reflectors machined to provide optimum optical performance for maximum high-output-ratio. Or Double side steel reflector with high-grade epoxy polyester power coating.

Rotary lock or spring load (G13) lamp holder certified by TIS NO.344-2549.

THW wire, 0.5-1.0 sqmm. 70 °c-105 °c certified by TIS NO.11-2531.

* Compatible with LED tube.



Model no.	No. of Lamps	A (mm.)	A1 (mm.)	B (mm.)	C (mm.)	C1 (mm.)	Hanging hold (mm.)
MFW220T-T	2 x 18W T8 / 2 ft LED tube	170	53	612	90	40	484
MFW240T-T	2 x 36W T8 / 4 ft LED tube	170	53	1223	90	40	484
MFW220T-AL-T	2 x 18W T8 / 2 ft LED tube	170	53	635	90	40	484
MFW240T-AL-T	2 x 36W T8 / 4 ft LED tube	170	53	1245	90	40	484

Note : subject to +/-2mm in tolerance

This product is manufactured by partnership of Thai Toshiba Lighting Co., Ltd.





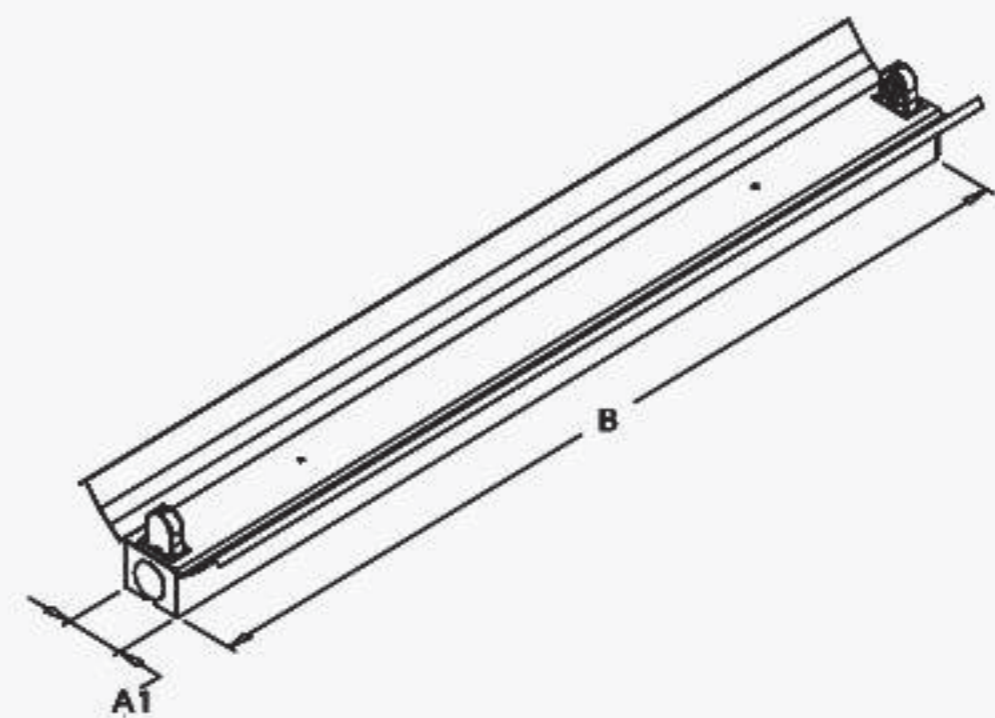
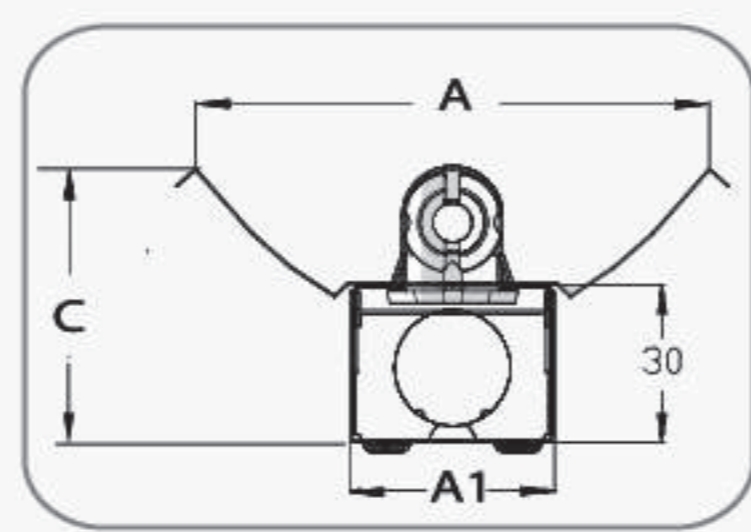
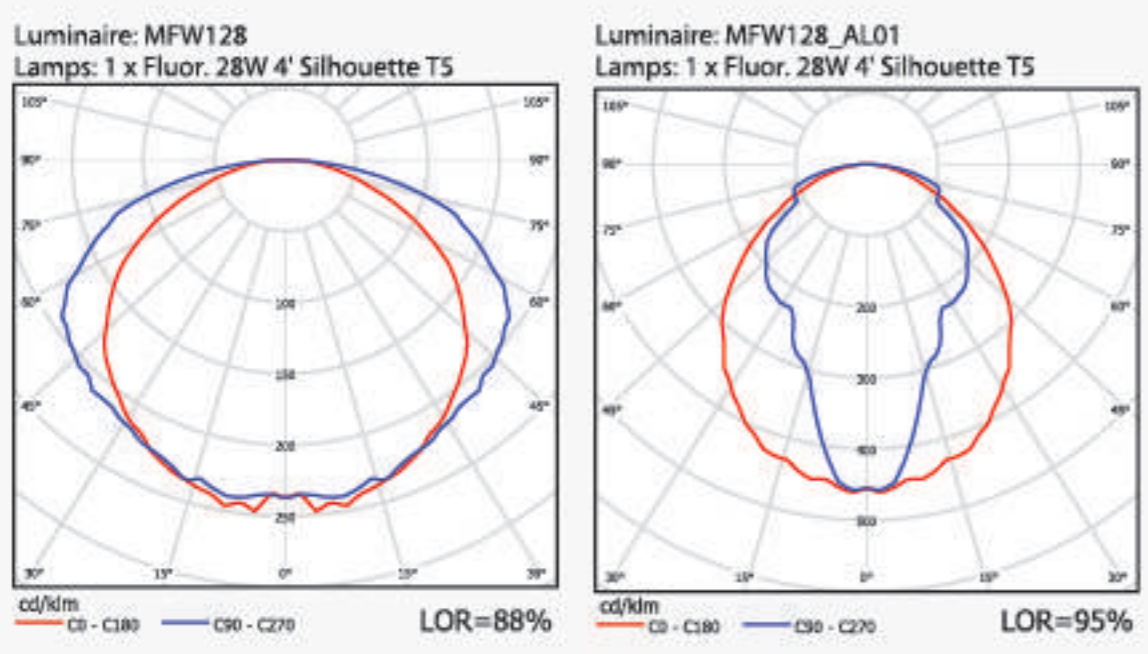
MFW-T5-T

Factory Fitting with Reflector (thin body)

Quality factory fitting with 0.6-0.8 mm. thick steel sheet and 99.90% purity anodized aluminium reflector. There are 2 types of reflector available, metal or aluminium.

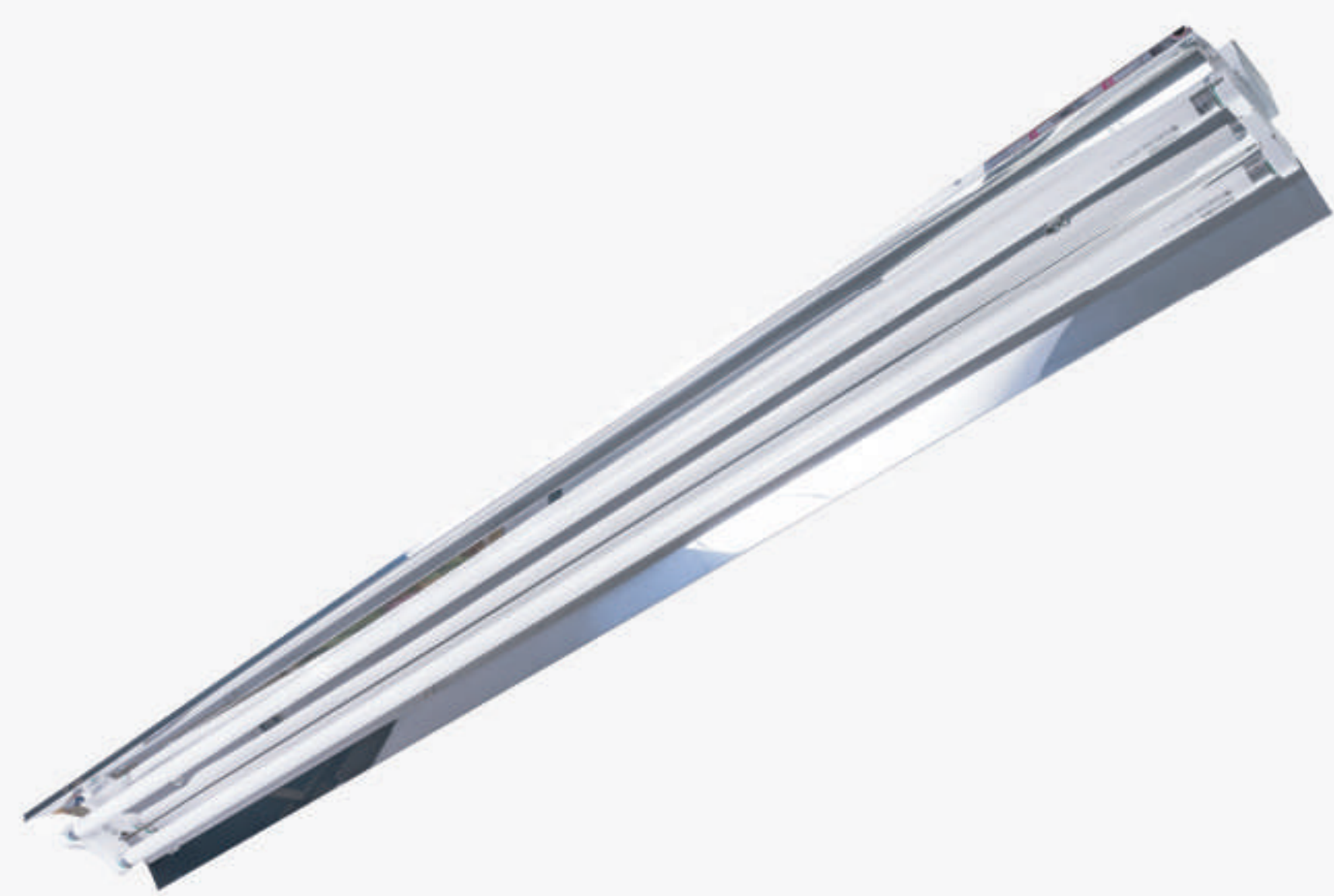
PRODUCT FEATURES

- Steel sheet thickness of 0.6-0.8 mm. And all metal parts are rust-proofed after fabrication to prevent any corrosion (zinc phosphate) and finished with high-grade epoxy polyester power coating.
- Double sides aluminium reflector 99.90% purity anodized aluminium reflector to provide total reflectors of TR87-95% mirror-finish, parabolic reflectors machined to provide optimum optical performance for maximum high-output-ratio. Or Double side steel reflector with high-grade epoxy polyester power coating.
- Rotary lock or spring load (G5) lamp holder certified by TIS NO.344-2549.
- THW wire, 0.5-1.0 sqmm. 70 °c-105 °c certified by TIS NO.11-2531.



Model no.	No. of Lamps	A (mm.)	A1 (mm.)	B (mm.)	C (mm.)
MFW114-T	1 x 14W T5	100	40	575	55
MFW128-T	1 x 28, 54W T5	100	40	1175	55
MFW114-AL-T	1 x 14W T5	100	40	575	55
MFW128-AL-T	1 x 28, 54W T5	100	40	1175	55

Note : subject to +/-2mm in tolerance



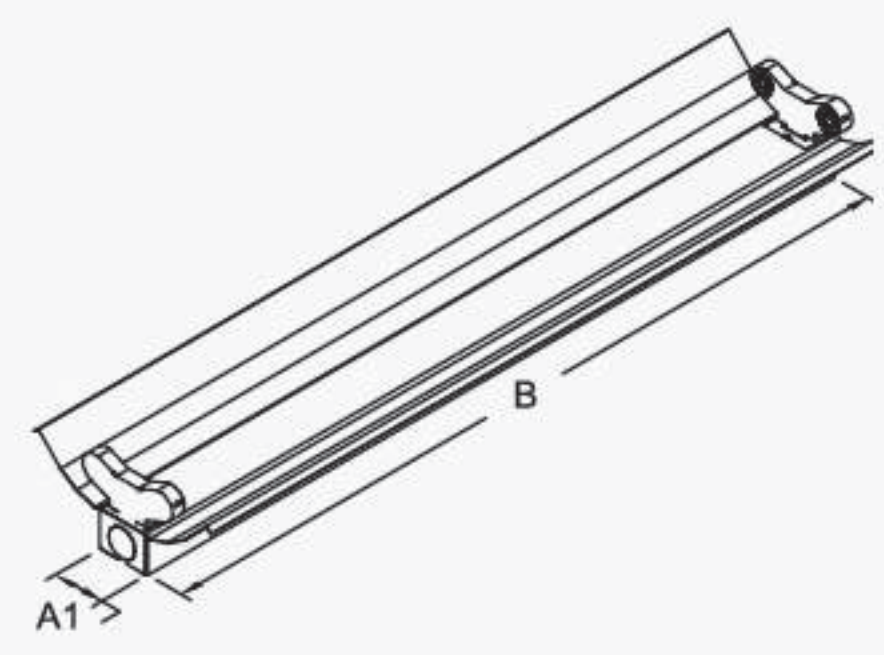
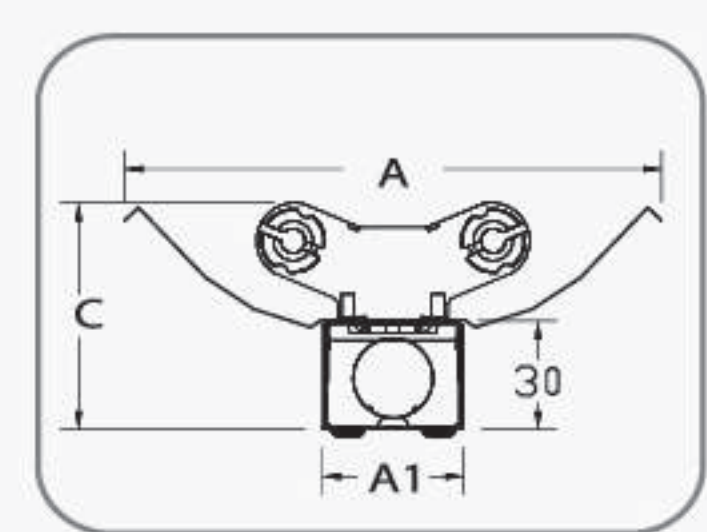
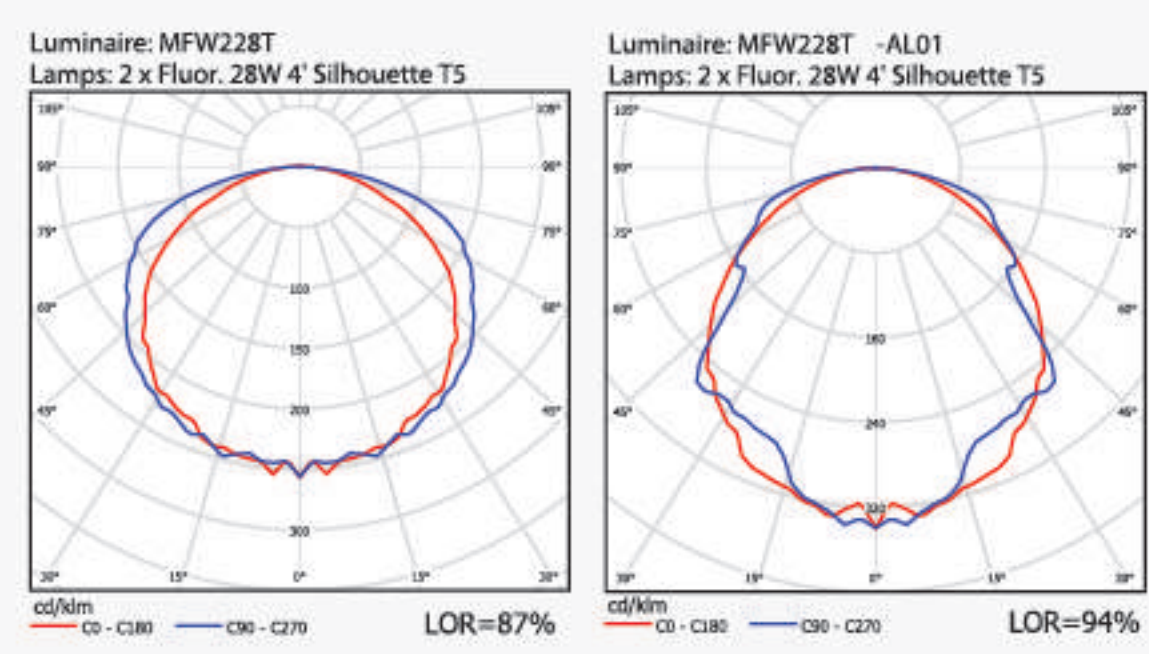
MFWT-T5-T

Factory Fitting with Reflector (thin body)

Quality factory fitting with 0.6-0.8 mm. thick steel sheet and 99.90% purity anodized aluminium reflector. There are 2 types of reflector available, metal or aluminium.

PRODUCT FEATURES

- Steel sheet thickness of 0.6-0.8 mm. And all metal parts are rust-proofed after fabrication to prevent any corrosion (zinc phosphate) and finished with high-grade epoxy polyester power coating.
- Double sides aluminium reflector 99.90% purity anodized aluminium reflector to provide total reflectors of TR87-95% mirror-finish, parabolic reflectors machined to provide optimum optical performance for maximum high-output-ratio. Or Double side steel reflector with high-grade epoxy polyester power coating.
- Rotary lock or spring load (G5) lamp holder certified by TIS NO.344-2549.
- THW wire, 0.5-1.0 sqmm. 70 °c-105 °c certified by TIS NO.11-2531.



Model no.	No. of Lamps	A (mm.)	A1 (mm.)	B (mm.)	C (mm.)
MFW214-T	2 x 14W T5	150	40	575	60
MFW228-T	2 x 28, 54W T5	150	40	1175	60
MFW214-AL-T	2 x 14W T5	150	40	575	60
MFW228-AL-T	2 x 28, 54W T5	150	40	1175	60

Note : subject to +/-2mm in tolerance

This product is manufactured by partnership of Thai Toshiba Lighting Co., Ltd.





MWG-T8-T

Channel Fitting with Wire Guard 1xT8

Quality channel fitting with 0.6-0.8 mm. thick steel sheet and 99.90% purity anodized aluminium reflector. This channel fitting comes with steel wire guard to ensure the safety of using for long lasting.

PRODUCT FEATURES

Steel sheet thickness of 0.6-0.8 mm. And all metal parts are rust-proofed after fabrication to prevent any corrosion (zinc phosphate) and finished with high-grade epoxy polyester power coating.

High quality steel wire guard with 3.0 mm. thickness with high-grade epoxy polyester power coating or stainless steel wire guard with 2.0 mm. thickness are available on request.

99.90% purity anodized aluminium reflector to provide total reflectance of TR 87-95% mirror-finish, parabolic reflectors machined to provide optimum optical performance for maximum high-output-ratio.

Rotary lock (G13) lamp holder certified by TIS NO.344-2549.

THW wire, 0.5-1.0 sqmm. 70°C-105°C certified by TIS NO.11-2531.

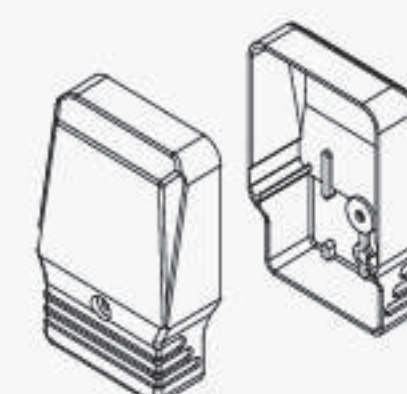
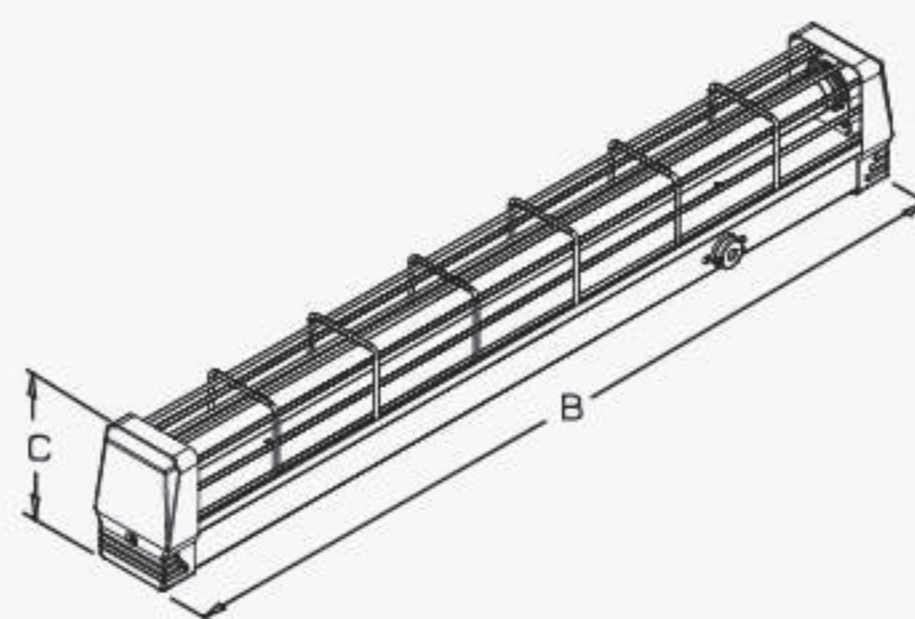
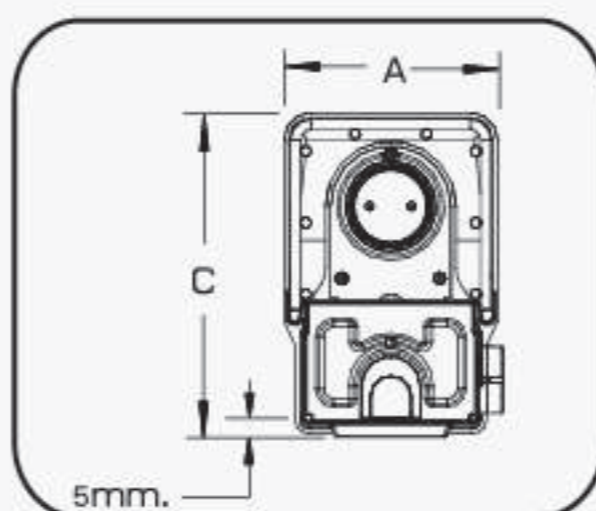
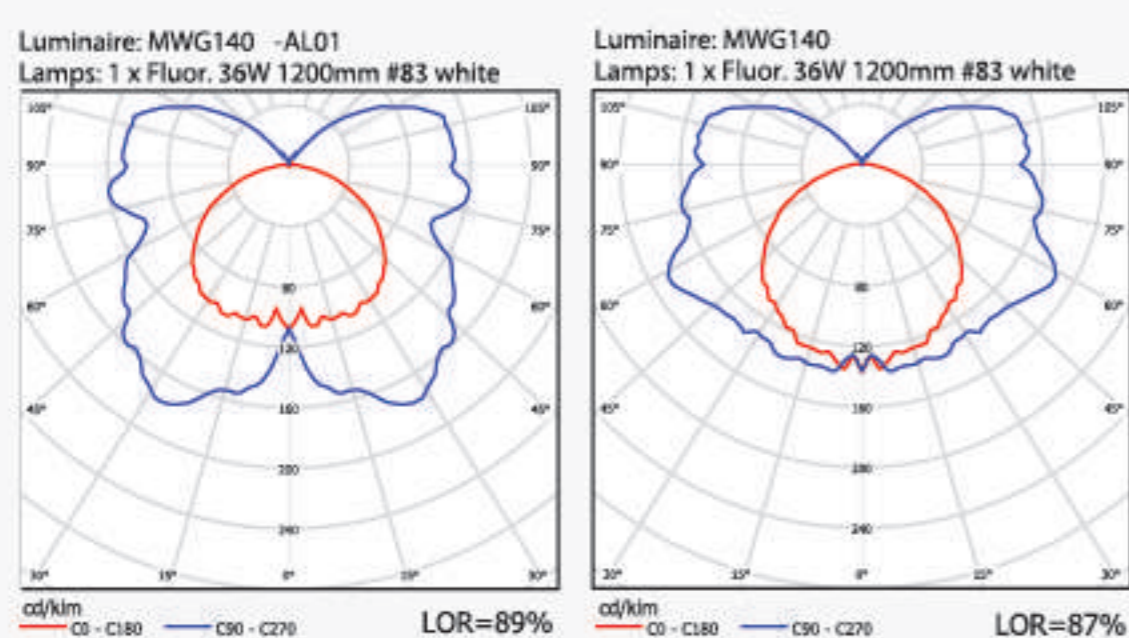
* Compatible with LED tube.



TIS. 902-2532
TTLC



TIS. 1955-2551
TTLC



Plastic Cover

Model no.	No. of Lamps	A (mm.)	B (mm.)	C (mm.)
MWG120-T	1 x 18W T8 / 2 ft LED Tube	65	625	95
MWG140-T	1 x 36W T8 / 4 ft LED Tube	65	1235	95
MWG120-AL-T	1 x 18W T8 / 2 ft LED Tube	65	625	95
MWG140-AL-T	1 x 36W T8 / 4 ft LED Tube	65	1235	95

Note : subject to +/-2mm in tolerance

This product is manufactured by partnership of Thai Toshiba Lighting Co., Ltd.

MWG-T8-T (6 inch)

Channel Fitting with Wire Guard

Quality channel fitting with 0.6-0.8 mm. thick steel sheet and 99.90% purity anodized aluminium reflector. This channel fitting comes with steel wire guard to ensure the safety of using for long lasting.

PRODUCT FEATURES

Steel sheet thickness of 0.6-0.8 mm. And all metal parts are rust-proofed after fabrication to prevent any corrosion (zinc phosphate) and finished with high-grade epoxy polyester power coating.

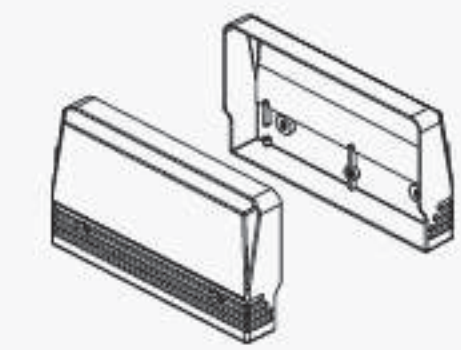
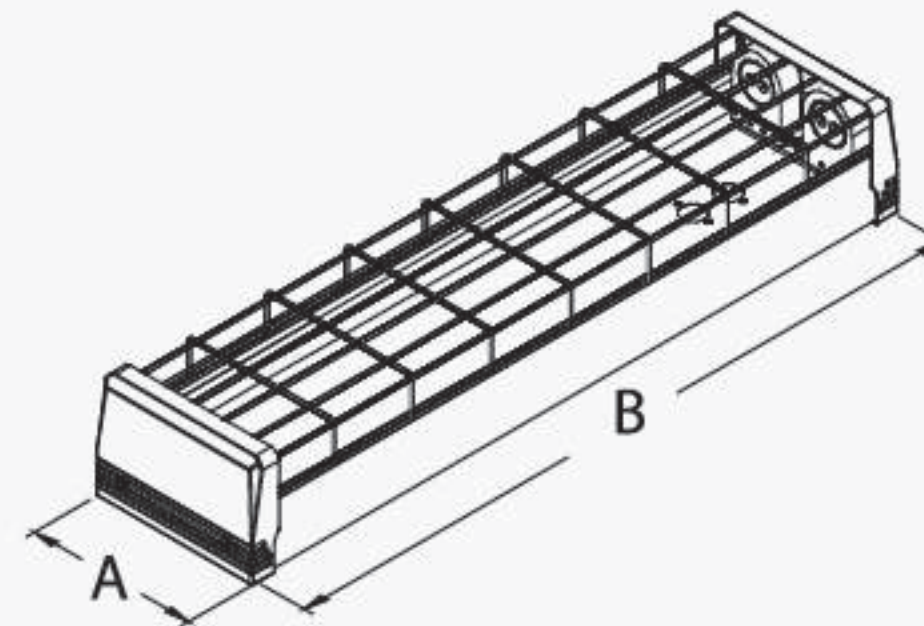
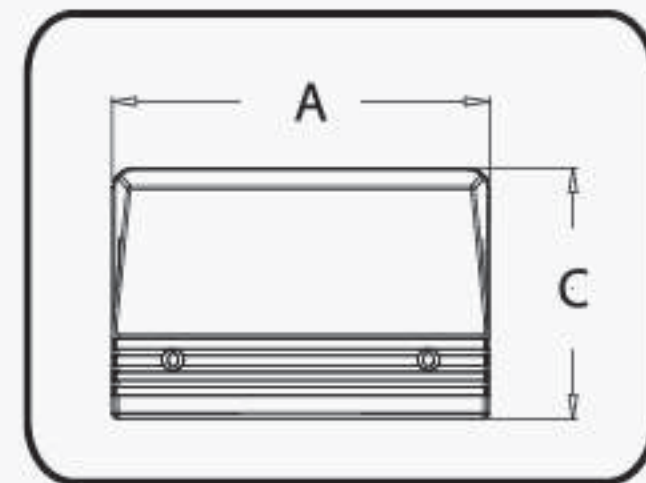
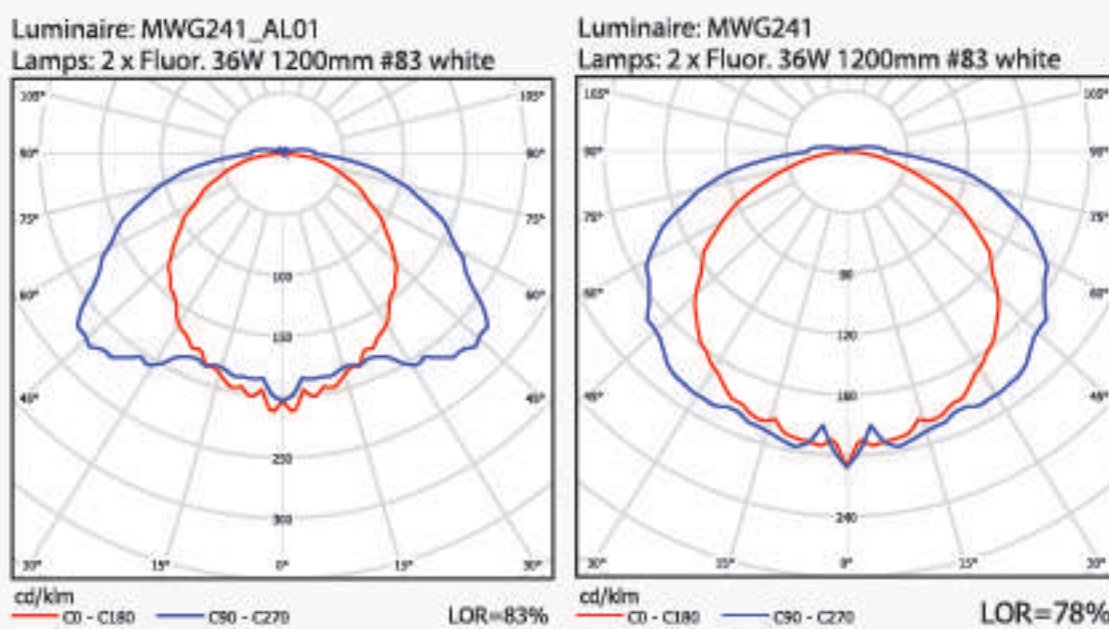
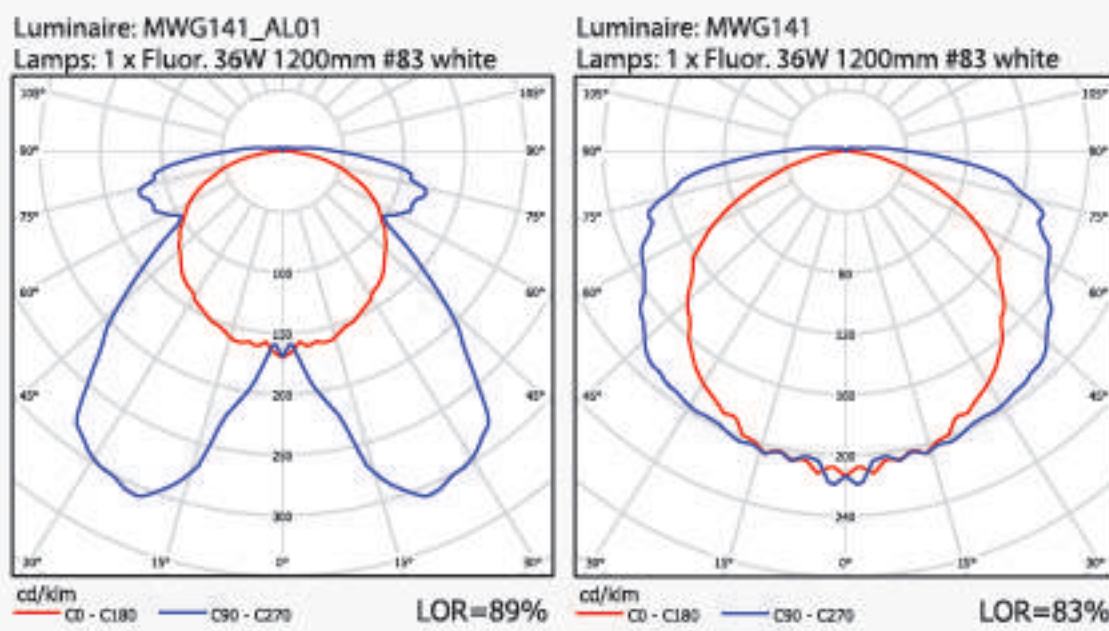
High quality steel wire guard with 3.0 mm. thickness with high-grade epoxy polyester power coating or stainless steel wire guard with 2.0 mm. thickness are available on request.

99.90% purity anodized aluminium reflector to provide total reflectance of TR 87-95% mirror-finish, parabolic reflectors machined to provide optimum optical performance for maximum high-output-ratio.

Rotary lock (G13) lamp holder certified by TIS NO.344-2549.

THW wire, 0.5-1.0 sqmm. 70 °c-105 °c certified by TIS NO.11-2531.

* Compatible with LED tube.



Plastic Cover

Model no.	No. of Lamps	A (mm.)	B (mm.)	C (mm.)
MWG121-T	1 x 18W T8 / 2 ft LED Tube	155	625	100
MWG141-T	1 x 36W T8 / 4 ft LED Tube	155	1235	100
MWG221-T	2 x 18W T8 / 2 ft LED Tube	155	625	100
MWG241-T	2 x 36W T8 / 4 ft LED Tube	155	1235	100
MWG121_AL-T	1 x 18W T8 / 2 ft LED Tube	155	625	100
MWG141_AL-T	1 x 36W T8 / 4 ft LED Tube	155	1235	100
MWG221_AL-T	2 x 18W T8 / 2 ft LED Tube	155	625	100
MWG241_AL-T	2 x 36W T8 / 4 ft LED Tube	155	1235	100

Note : subject to +/-2mm in tolerance

This product is manufactured by partnership of Thai Toshiba Lighting Co., Ltd.





MCF-T8-T

Channel Fitting with Reflector 1xT8

Quality channel fitting with 0.6-0.8 mm. thick steel sheet and 99.90% purity anodized aluminium reflector. There are 2 types of reflector available, metal or aluminium.

PRODUCT FEATURES

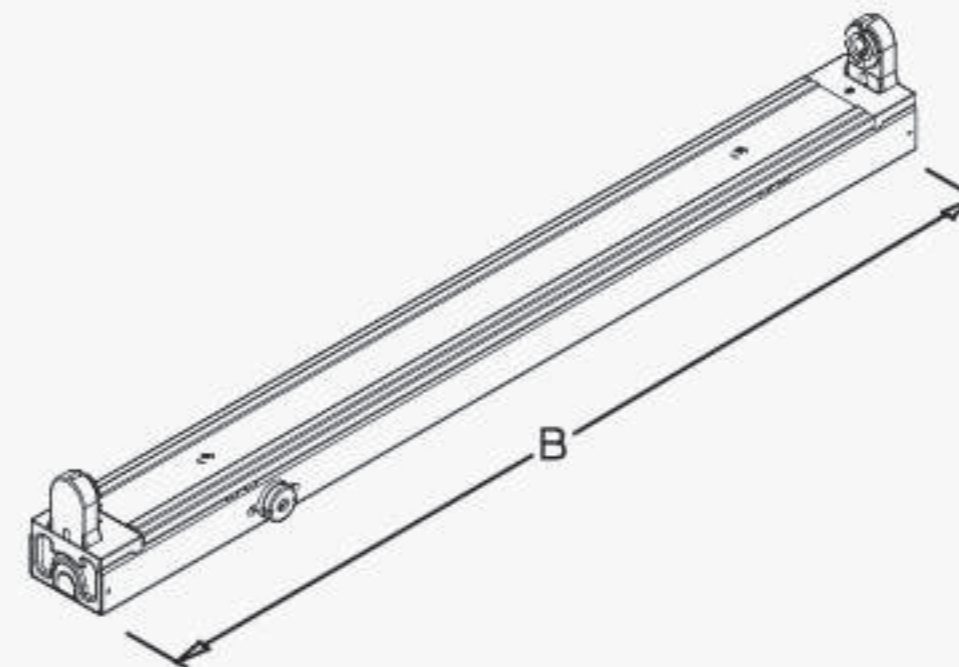
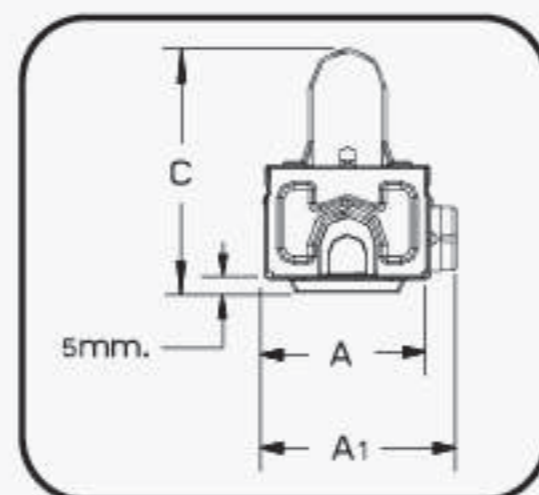
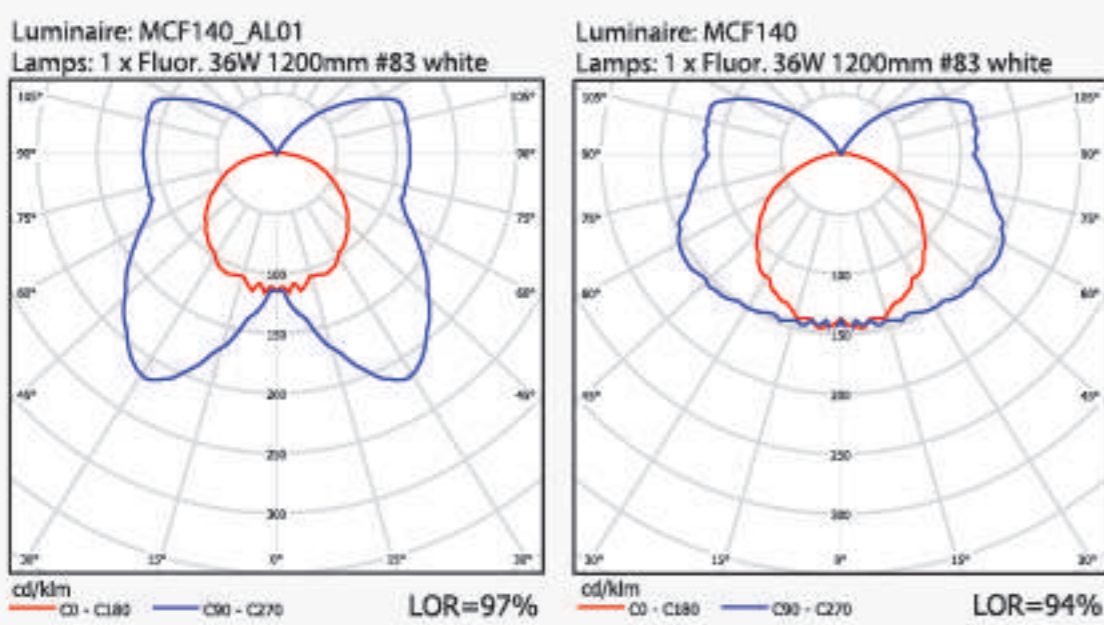
Steel sheet thickness of 0.6-0.8 mm. And all metal parts are rust-proofed after fabrication to prevent any corrosion (zinc phosphate) and finished with high-grade epoxy polyester power coating.

Double sides aluminium reflector 99.90% purity anodized aluminium reflector to provide total reflectors of TR87-95% mirror-finish, parabolic reflectors machined to provide optimum optical performance for maximum high-output-ratio. Or Double side steel reflector with high-grade epoxy polyester power coating.

Rotary lock (G13) lamp holder certified by TIS NO.344-2549.

THW wire, 0.5-1.0 sqmm. 70 °c-105 °c certified by TIS NO.11-2531.

* Compatible with LED tube.



Model no.	No. of Lamps	A (mm.)	A1 (mm.)	B (mm.)	C (mm.)	Hanging hold (mm.)
MCF120-T	1 x 18W T8 / 2 ft LED tube	52	63	613	80	484
MCF140-T	1 x 36W T8 / 4 ft LED tube	52	63	1223	80	484
MCF120S-T	1 x 18W T8 / 2 ft LED tube	52	63	613	80	484
MCF140S-T	1 x 36W T8 / 4 ft LED tube	52	63	1223	80	484
MCF120AL-T	1 x 18W T8 / 2 ft LED tube	52	63	613	80	484
MCF140AL-T	1 x 36W T8 / 4 ft LED tube	52	63	1223	80	484
MCF120SAL-T	1 x 18W T8 / 2 ft LED tube	52	63	613	53	484
MCF140SAL-T	1 x 36W T8 / 4 ft LED tube	52	63	1223	53	484

Note : subject to -/+2mm in tolerance

This product is manufactured by partnership of Thai Toshiba Lighting Co., Ltd.



MCFT-T8-T

Channel Fitting with Reflector 2xT8

Quality channel fitting with 0.6-0.8 mm. thick steel sheet and 99.90% purity anodized aluminium reflector. There are 2 types of reflector available, metal or aluminium.

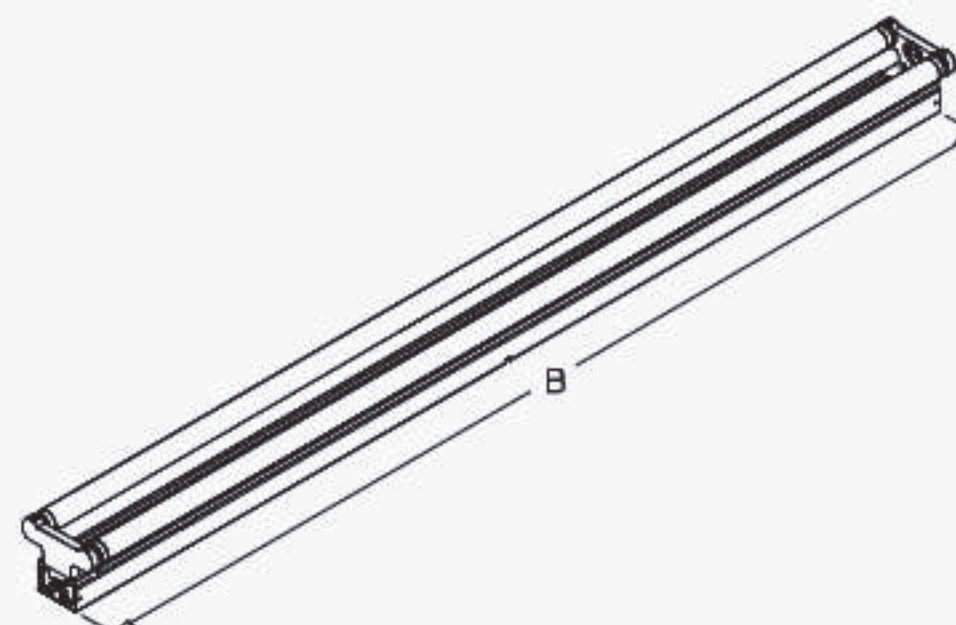
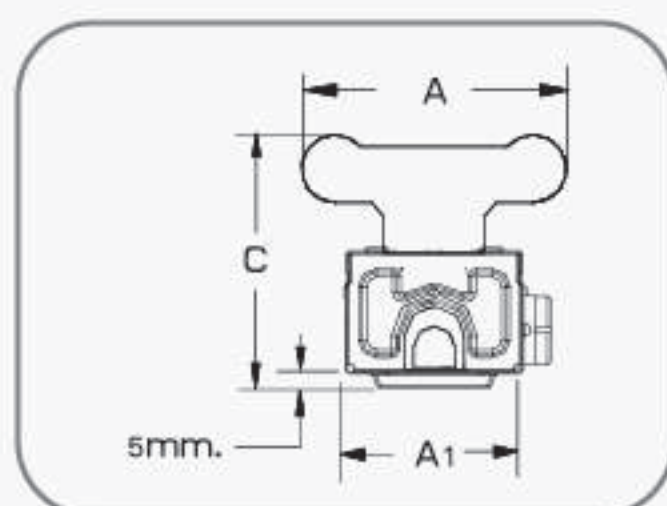
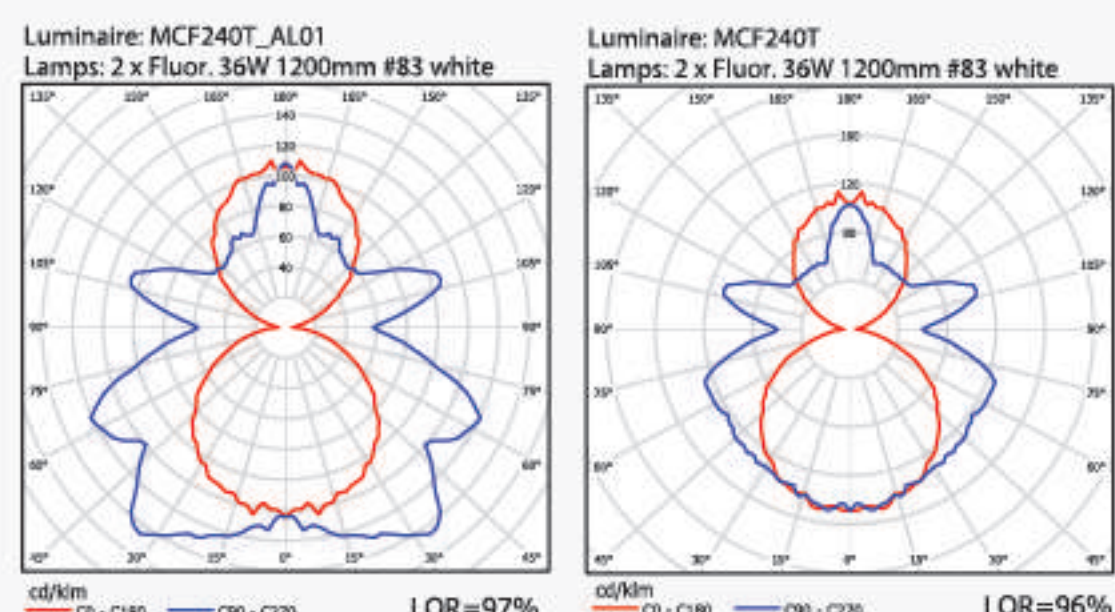
PRODUCT FEATURES

Steel sheet thickness of 0.6-0.8 mm. And all metal parts are rust-proofed after fabrication to prevent any corrosion (zinc phosphate) and finished with high-grade epoxy polyester power coating.

Double sides aluminium reflector 99.90% purity anodized aluminium reflector to provide total reflectors of TR87-95% mirror-finish, parabolic reflectors machined to provide optimum optical performance for maximum high-output-ratio. Or Double side steel reflector with high-grade epoxy polyester power coating.

Rotary lock (G13) lamp holder certified by TIS NO.344-2549.

THW wire, 0.5-1.0 sqmm. 70°C-105°C certified by TIS NO.11-2531.



Model no.	No. of Lamps	A (mm.)	A1 (mm.)	B (mm.)	C (mm.)	Hanging hold (mm.)
MCF220T-T	2 x 18W T8 / 2 ft LED tube	100	52	613	85	484
MCF240T-T	2 x 36W T8 / 4 ft LED tube	100	52	1223	85	484
MCF220T-AL-T	2 x 18W T8 / 2 ft LED tube	100	52	613	85	484
MCF240T-AL-T	2 x 36W T8 / 4 ft LED tube	100	52	1223	85	484

Note : subject to +/-2mm in tolerance

This product is manufactured by partnership of Thai Toshiba Lighting Co., Ltd.





MPY-T8-T

V Shape Fitting 1xT8

Pyramid fitting with rust-proofed metal parts and high-grade epoxy polyester power coating. All related equipments are certified by TIS. There are 2 types of reflector available, metal or aluminium reflector.

PRODUCT FEATURES

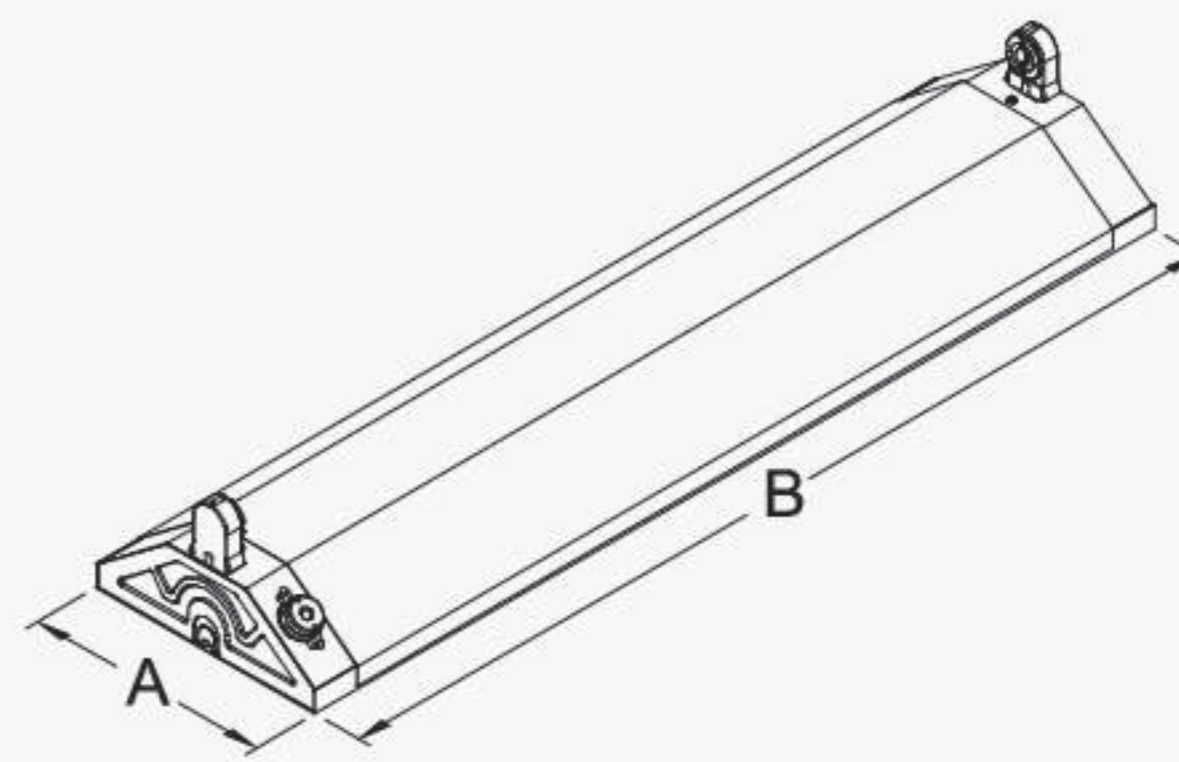
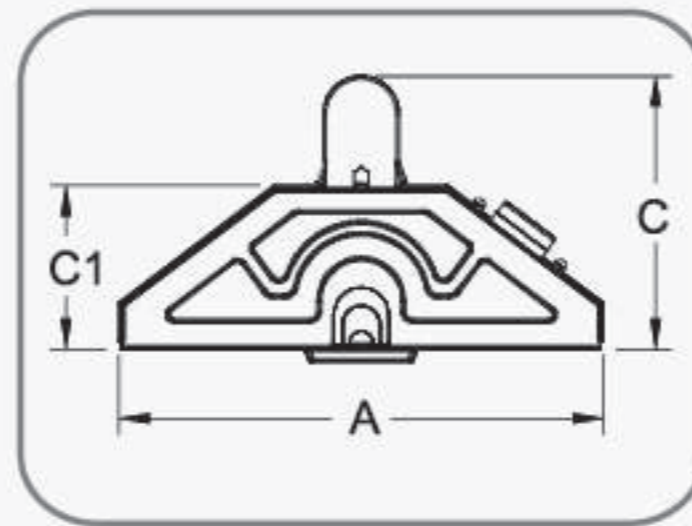
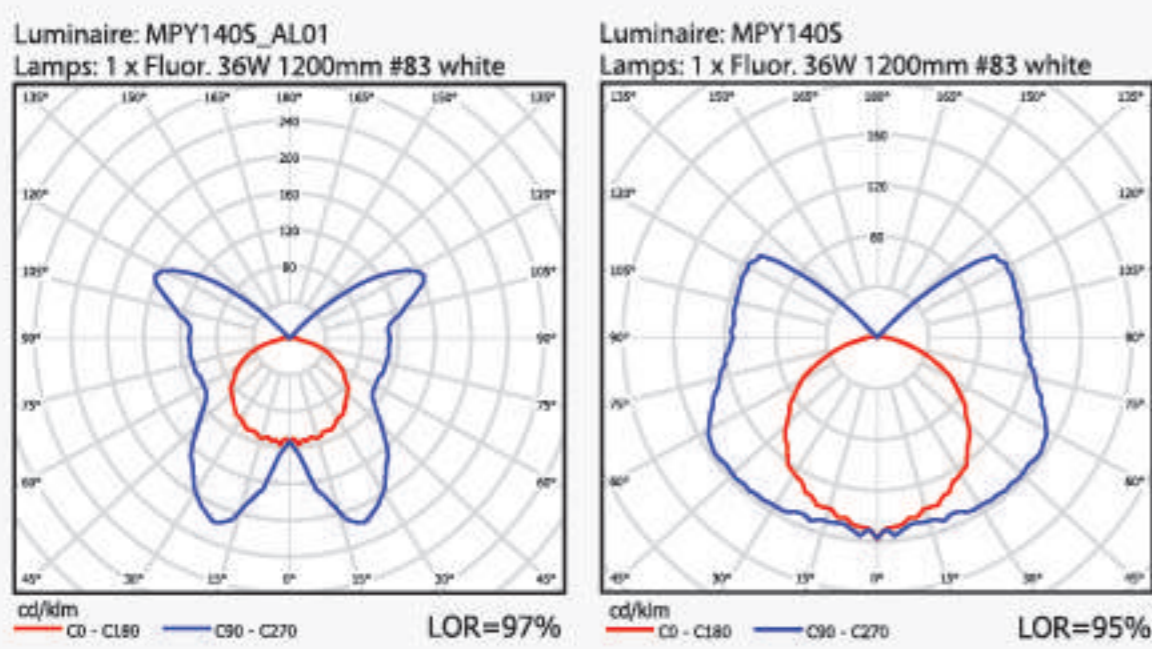
Steel sheet thickness of 0.6–0.8 mm. And all metal parts are rust-proofed after fabrication to prevent any corrosion (zinc phosphate) and finished with high-grade epoxy polyester power coating.

Double sides aluminium reflector 99.90% purity anodized aluminium reflector to provide total reflectors of TR87–95% mirror-finish, parabolic reflectors machined to provide optimum optical performance for maximum high-output-ratio. Or Double side steel reflector with high-grade epoxy polyester power coating.

Rotary lock (G13) lamp holder certified by TIS NO.344-2549.

THW wire, 0.5–1.0 sqmm. 70 °c–105 °c certified by TIS NO.11-2531.

* Compatible with LED tube.



Model no.	No. of Lamps	A (mm.)	B (mm.)	C (mm.)	C1 (mm.)	Hanging hold (mm.)
MPY120-T	1 x 18W T8 / 2 ft LED tube	162	620	97	53	484
MPY140-T	1 x 36W T8 / 4 ft LED tube	162	1230	97	53	484
MPY120-AL-T	1 x 18W T8 / 2 ft LED tube	162	620	97	53	484
MPY140-AL-T	1 x 36W T8 / 4 ft LED tube	162	1230	97	53	484
MPY120S-T	1 x 18W T8 / 2 ft LED tube	162	640	122	53	484
MPY140S-T	1 x 36W T8 / 4 ft LED tube	162	1250	122	53	484
MPY120S-AL-T	1 x 18W T8 / 2 ft LED tube	162	640	122	53	484
MPY140S-AL-T	1 x 36W T8 / 4 ft LED tube	162	1250	122	53	484

Note : subject to +/-2mm in tolerance

This product is manufactured by partnership of Thai Toshiba Lighting Co., Ltd.



MPYT-T8-T

V-Shape Fitting 2xT8

Pyramid fitting with rust-proofed metal parts and high-grade epoxy polyester power coating. All related equipments are certified by TIS. There are 2 types of reflector available, metal or aluminium reflector.

PRODUCT FEATURES

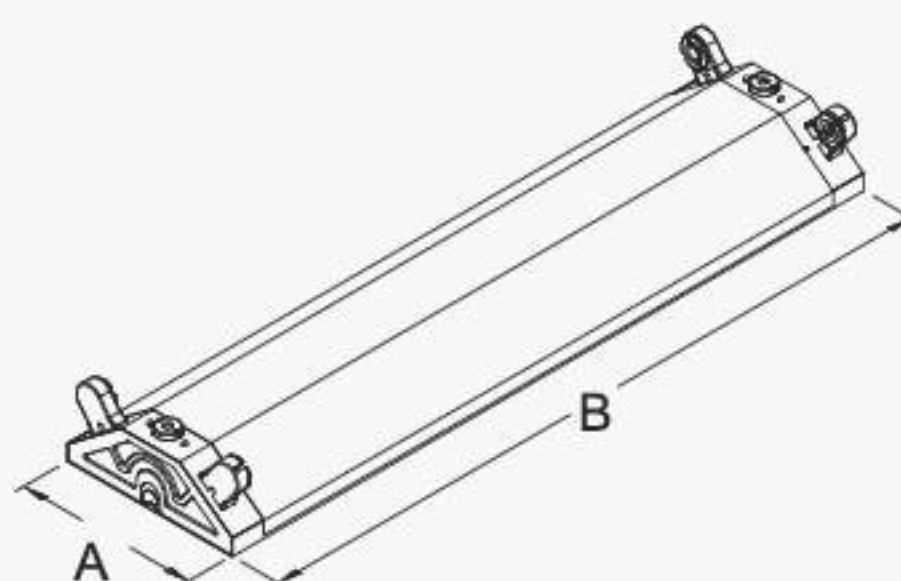
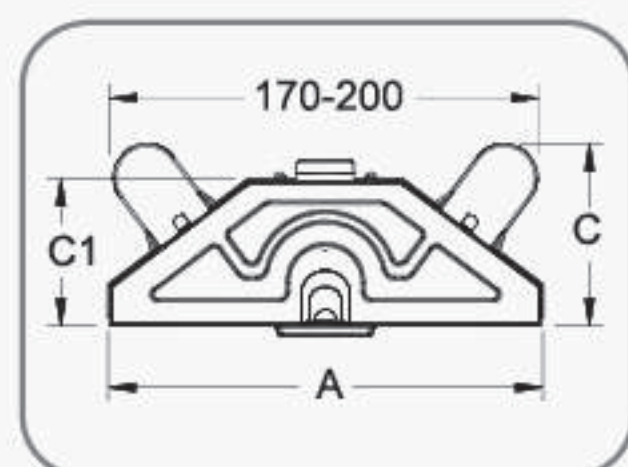
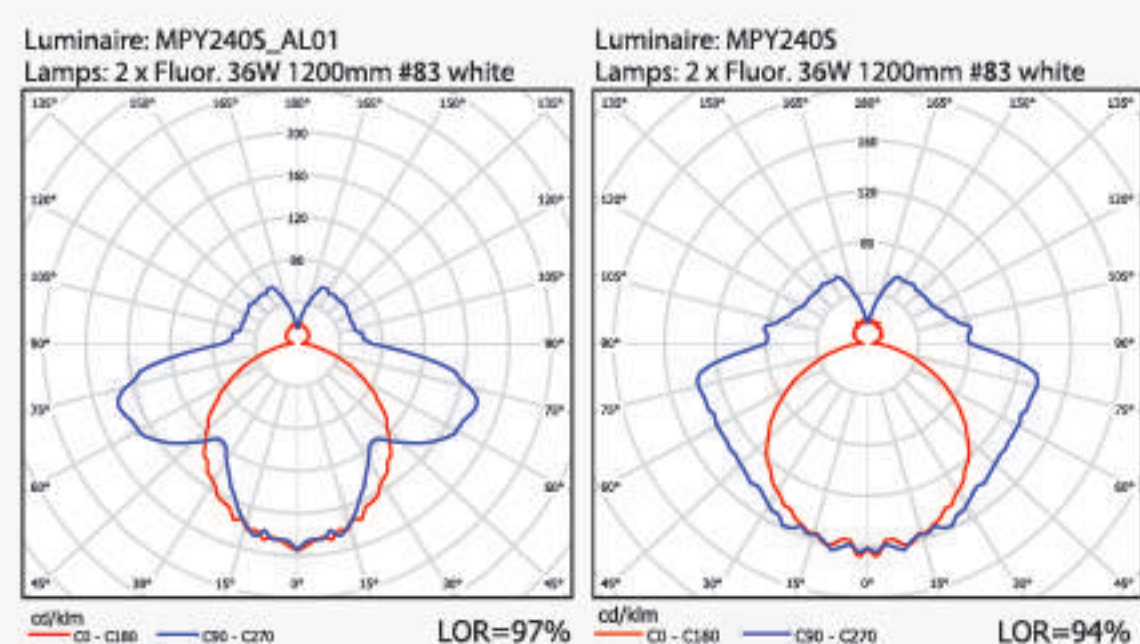
Steel sheet thickness of 0.6-0.8 mm. And all metal parts are rust-proofed after fabrication to prevent any corrosion (zinc phosphate) and finished with high-grade epoxy polyester power coating.

Double sides aluminium reflector 99.90% purity anodized aluminium reflector to provide total reflectors of TR87-95% mirror-finish, parabolic reflectors machined to provide optimum optical performance for maximum high-output-ratio. Or Double side steel reflector with high-grade epoxy polyester power coating.

Rotary lock (G13) lamp holder certified by TIS NO.344-2549.

THW wire, 0.5-1.0 sqmm. 70°C-105°C certified by TIS NO.11-2531.

* Compatible with LED tube.



Model no.	No. of Lamps	A (mm.)	B (mm.)	C (mm.)	C1 (mm.)	Hanging hold (mm.)
MPY220-T	2 x 18W T8	162	620	71	53	484
MPY240-T	2 x 36W T8	162	1230	71	53	484
MPY220-AL-T	2 x 18W T8	162	620	71	53	484
MPY240-AL-T	2 x 36W T8	162	1230	71	53	484
MPY220S-T	2 x 18W T8	162	640	88	53	484
MPY240S-T	2 x 36W T8	162	1250	88	53	484
MPY220S-AL-T	2 x 18W T8	162	640	88	53	484
MPY240S-AL-T	2 x 36W T8	162	1250	88	53	484

Note : subject to +/-2mm in tolerance

This product is manufactured by partnership of Thai Toshiba Lighting Co., Ltd.





WP-T5/T8-T

Weather Proof Fitting

Quality weather proof fixture with excellent water-proof and heat-resistance performance. This is one of the best choice of fixture to illuminate outdoor area.

PRODUCT FEATURES

- Polyester body reinforce with fibre glass.
- Polycarbonate front cover.
- High luminous effect.
- Silicon seal circle in the light fitting with heat-resisting and excellent water-proof performance.
- Water-proof, dust-proof, moisture-proof connection wire by cable glands.
- Gear tray made for stainless steel plate-no. 304
- Lamp trays have safty wire for hanging.
- Stainless steel clips, clips lock used all 10 pcs/set.
- Mounting bracket by stainless steel.
- IP 65

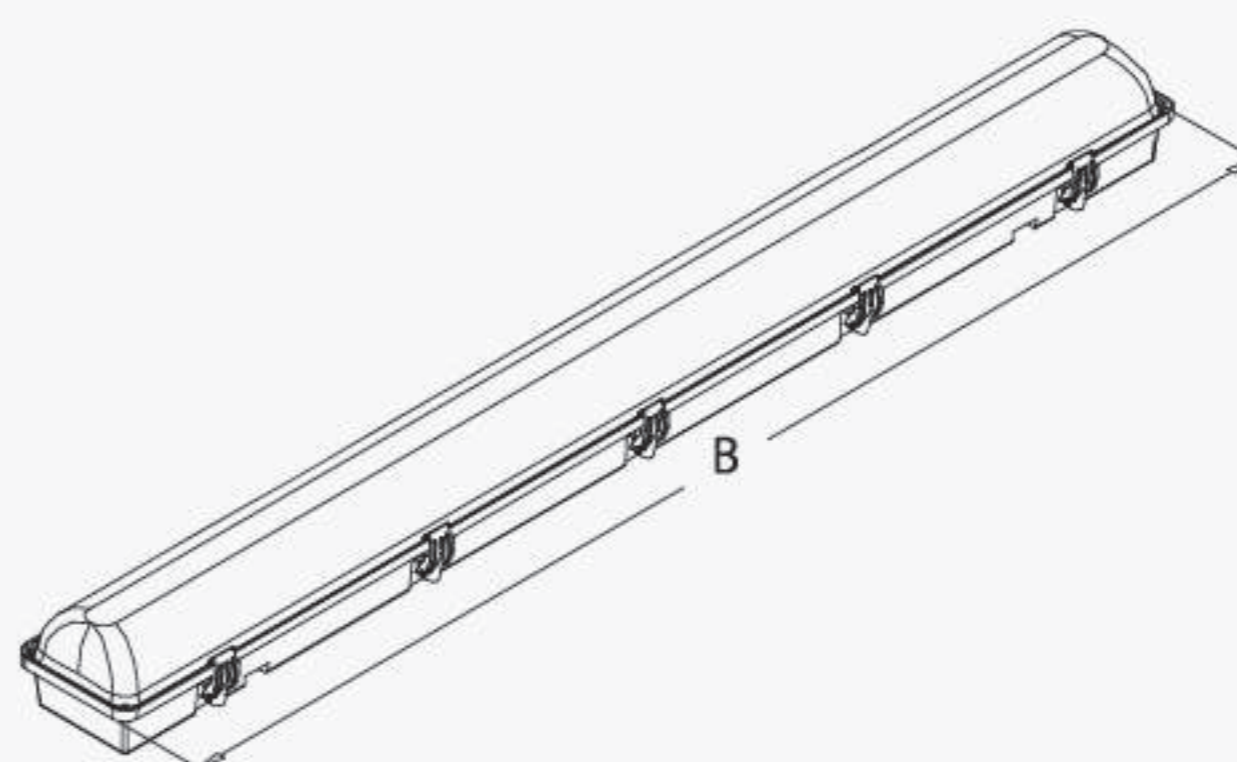
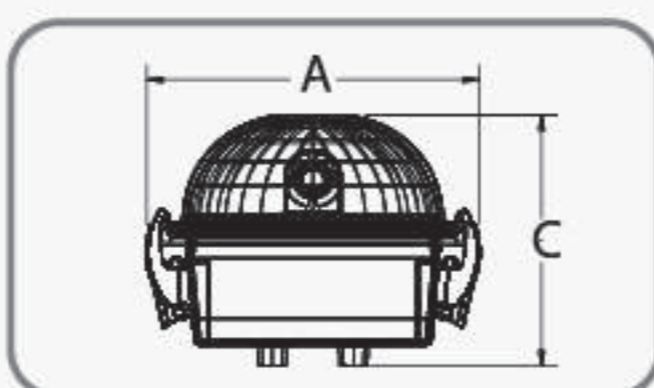
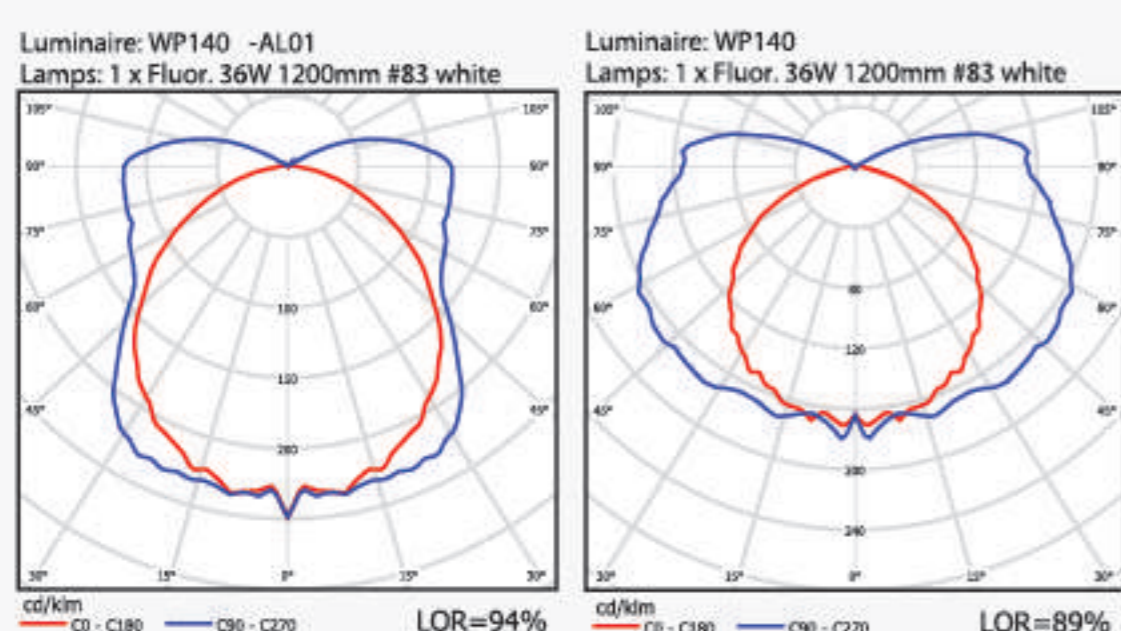
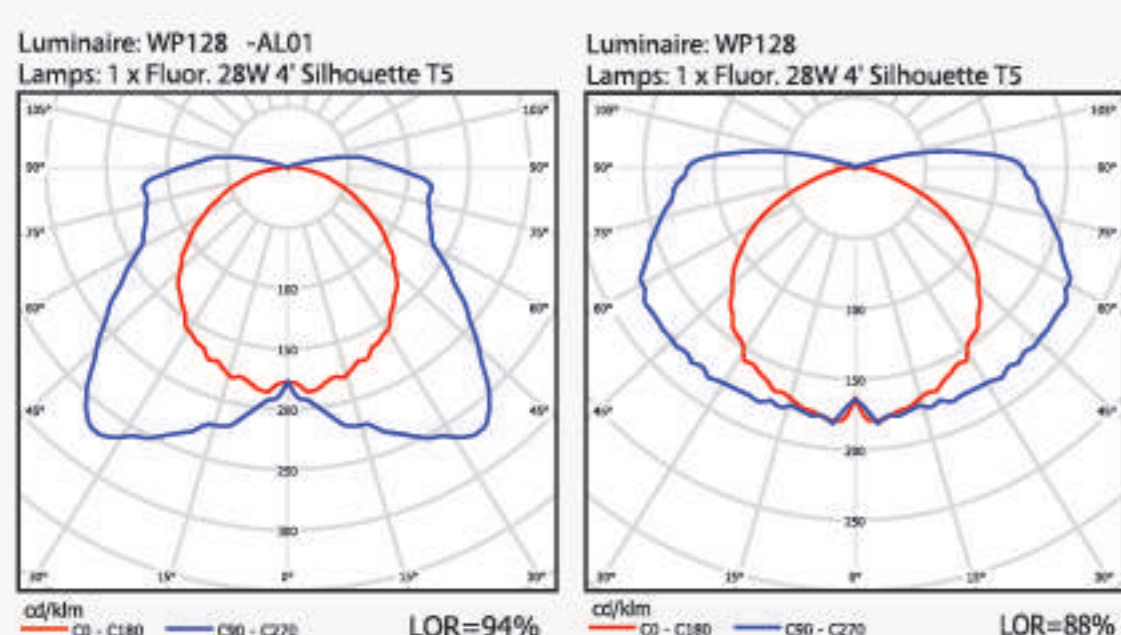
* Compatible with LED tube.



TIS. 902-2532
TTL



TIS. 1955-2551
TTL



Model no.	No. of Lamps	A (mm.)	B (mm.)	C (mm.)
WP120-T	1 x 18W T8 / 2ft LED Tube	100	670	100
WP140-T	1 x 36W T8 / 4ft LED Tube	100	1265	100
WP114-T	1 x 14, 24W T5	100	670	100
WP128-T	1 x 28, 54W T5	100	1265	100

Note : subject to +/-2mm in tolerance

This product is manufactured by partnership of Thai Toshiba Lighting Co., Ltd.



DWP-T5/T8-T

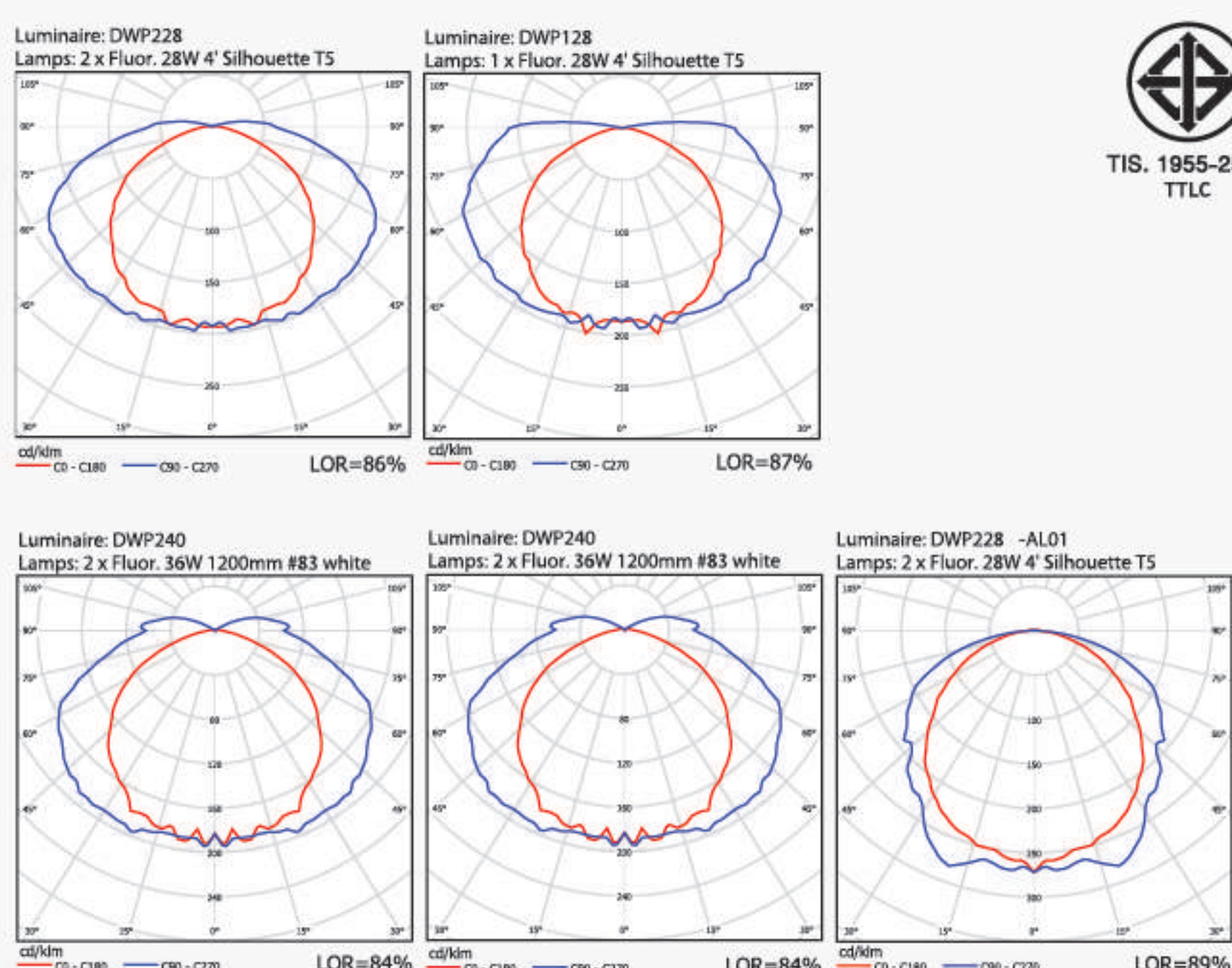
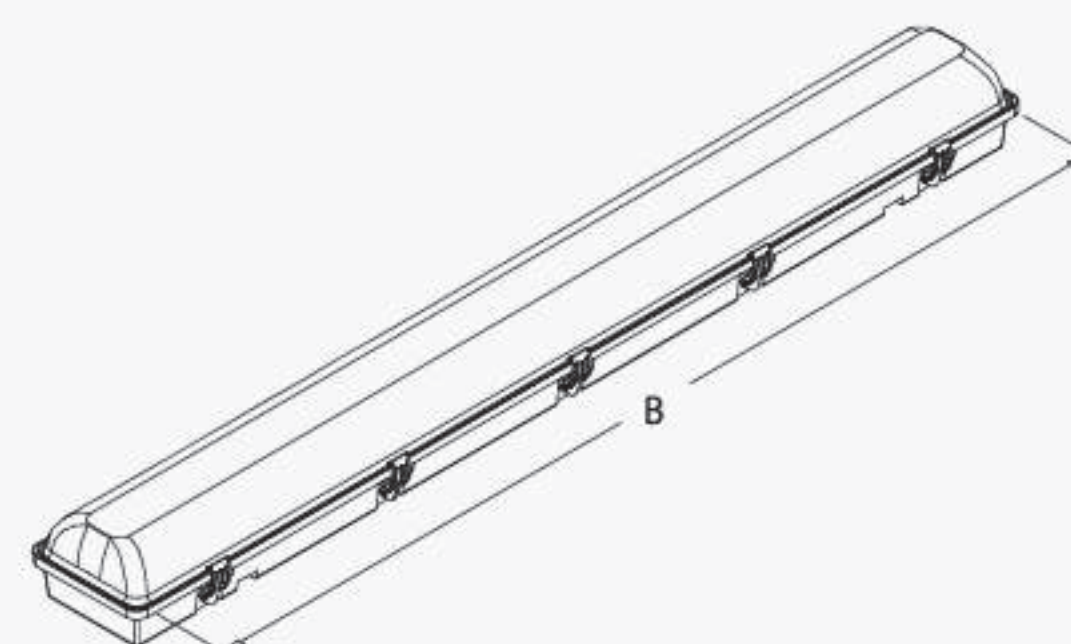
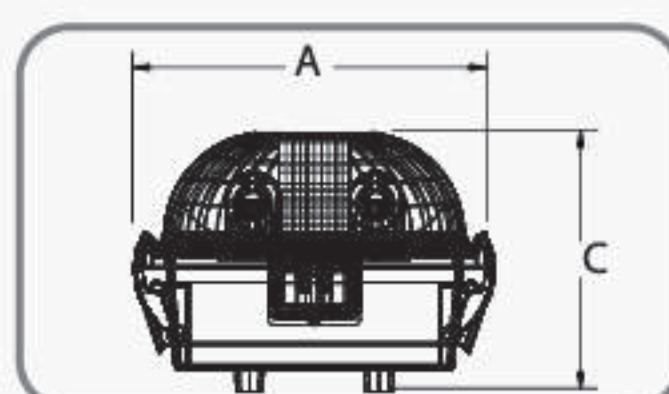
Weather Proof Fitting

Quality weather proof fixture with excellent water-proof and heat-resistance performance. This is one of the best choice of fixture to illuminate outdoor area.

PRODUCT FEATURES

- Polyester body reinforce with fibre glass.
- Polycarbonate front cover.
- High luminous effect.
- Silicon seal circle in the light fitting with heat-resisting and excellent water-proof performance.
- Water-proof, dust-proof, moisture-proof connection wire by cable glands.
- Gear tray made for stainless steel plate-no. 304
- Lamp trays have safty wire for hanging.
- Stainless steel clips, clips lock used all 10 pcs/set.
- Mounting bracket by stainless steel.
- IP 65

* Compatible with LED tube.



Model no.	No. of Lamps	A (mm.)	B (mm.)	C (mm.)
DWP120-T	1 x 18W T8 / 2ft LED Tube	155	670	100
DWP140-T	1 x 36W T8 / 4ft LED Tube	155	1265	100
DWP114-T	1 x 14, 24W T5	155	670	100
DWP128-T	1 x 28, 54W T5	155	1265	100
DWP220-T	2 x 18W T8 / 2ft LED Tube	155	670	100
DWP240-T	2 x 36W T8 / 4ft LED Tube	155	1265	100
DWP214-T	2 x 14, 24W T5	155	670	100
DWP228-T	2 x 28, 54W T5	155	1265	100

Note : subject to -/+2mm in tolerance

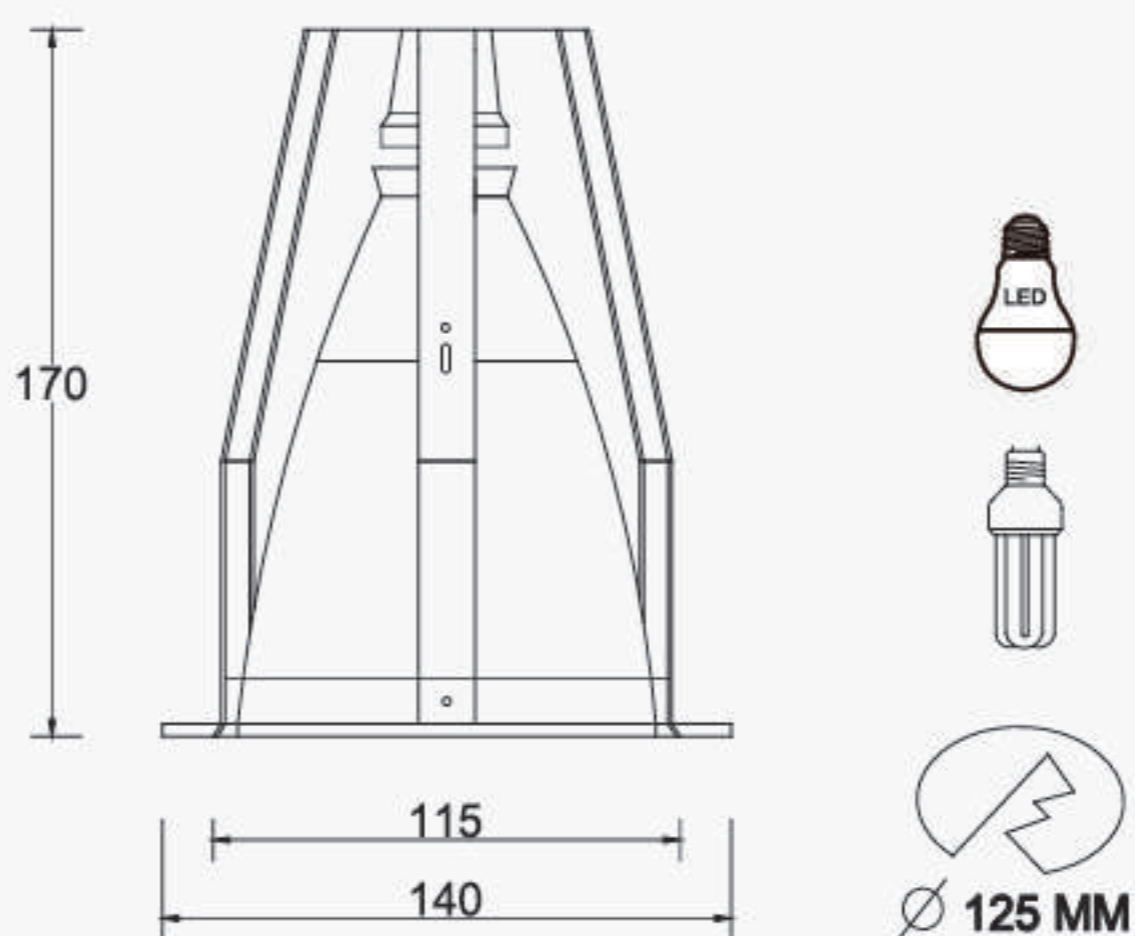
This product is manufactured by partnership of Thai Toshiba Lighting Co., Ltd.





EV125-T

4 inch Downlight

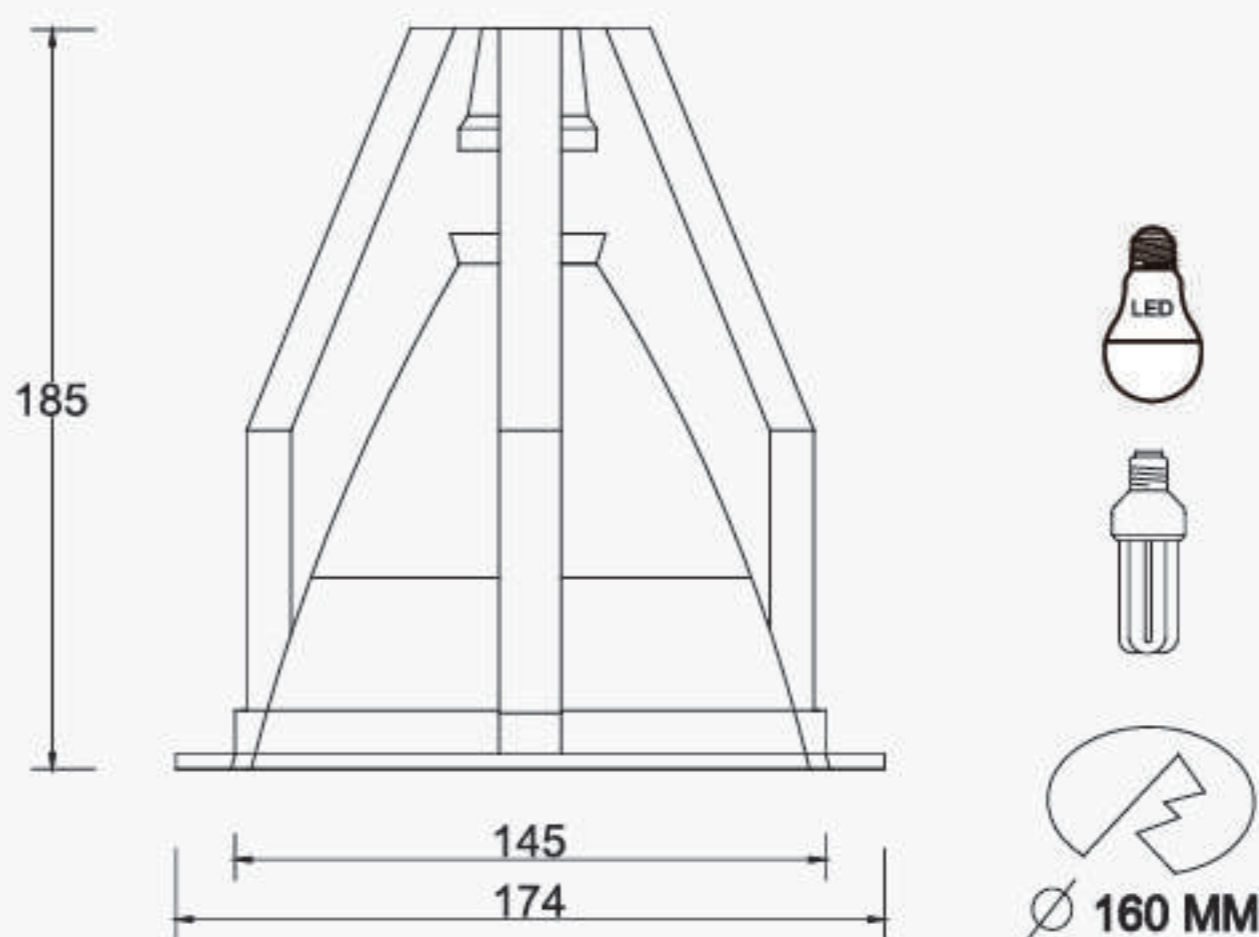


REFLECTOR		RECOMMENDED LAMP			RIM		
FACET DESIGN		LAMP BASE	LAMP TYPE	POWER 220V AC	MILD STEEL	ALUM. DIE CAST	STAINLESS STEEL
FW-A	PP-A	1 x E27	1 x PLCE 18W COMPATIBLE WITH LED E27 SOCKET	0.14 amp.	WHITE	WHITE	NATURAL
FF-A	-				CHROME		
-	-						
-	-						



EV160-T

6 inch Downlight



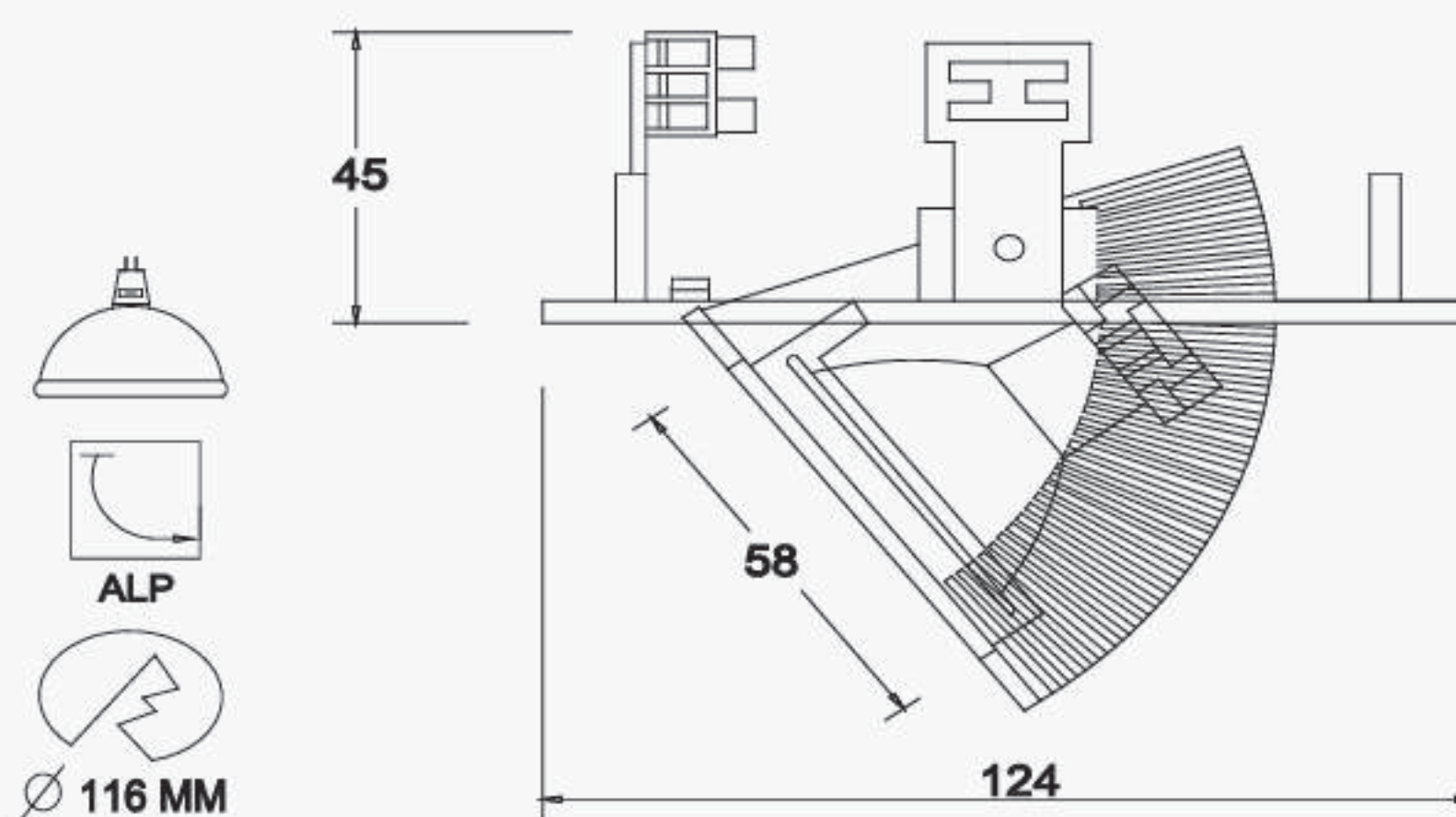
REFLECTOR		RECOMMENDED LAMP			RIM		
FACET DESIGN		LAMP BASE	LAMP TYPE	POWER 220V AC	MILD STEEL	ALUM. DIE CAST	STAINLESS STEEL
FW-A	PP-A	1 x E27	1 x PLCE 18W 1 x PLCE 25W COMPATIBLE WITH LED E27 SOCKET	0.14 amp. 0.18 amp.	WHITE	WHITE	NATURAL
FF-A	-				CHROME		
-	-						
-	-						

This product is manufactured by partnership of Thai Toshiba Lighting Co., Ltd.



MET-200-T

Recessed MR16 DL Adjustable



REFLECTOR		RECOMMENDED LAMP			RIM		
FACET DESIGN		LAMP BASE	LAMP TYPE	POWER 220V AC	MILD STEEL	ALUM. DIE CAST	STAINLESS STEEL
REFLECTOR LAMP		1 x GU5.3	1 x HALOGEN or LED MR16 12 v 50W	0.08 amp.	-	WHITE	-
-	-				-		
-	-				-		
-	-				-		



This product is manufactured by partnership of Thai Toshiba Lighting Co., Ltd.