

NEW

PRODUCT DATA SHEET INFORMATION



Air Distribution Manifolds For Main Air Panel Applications

Basic Size 12 - Inlet Port 3/4"

Basic Size 20 - Inlet Port 1 1/4"

Air Distribution manifolds provide individual control on machinery with multiple pneumatic circuits. Mechanical presses may have clutch/brake, counterbalance, die cushion, mechanical devices and automation valves circuits. Air distribution manifolds allow centralized independent pressure control as well as independent lockout points for each circuit.

Manifolds are available in 2-station and 3-station blocks and can be stacked together to meet the most demanding applications. Two standard sizes are available Basic Size 12 and Basic Size 20, with ports 3/4" and 1-1/4" respectively. Several individual functions can be customer specified, including check valves and/or lockout valves, to meet your requirements. Maintenance and service are simplified using top-loaded regulators, cartridge checks and base-mounted lockout valves. Additional auxiliary ports are available on each station for unregulated main air (air tools) as well as unregulated or regulated 1/4" pilot lines or test ports.

Contact ROSS Controls for further information and product testing opportunities.



Features:

- Both Basic Sizes can be stacked together to fit any application - assembly hardware included
- More efficient use of space
- Reduced engineering cost
- Fast and easy installation
- Reduced procurement
- Standardization and improved appearance

Basic Size 12 (3/4" inlet X 3/4" outlet)

- Supply headers equipped with 3/4" auxiliary outlet port
- All inlet and outlet ports are 3/4" size
- Additional 1/4" port on outlet
- Common exhaust port on circuit branches and headers

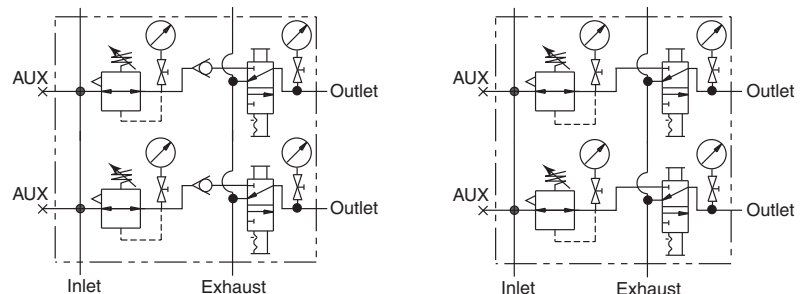
Basic Size 20 (1 1/4" inlet X 1" outlet)

- Supply header equipped with 1" auxiliary outlet port
- All inlet and exhaust ports are 1 1/4" size, outlets are 1" size
- Additional 1/4" port on outlet
- Common exhaust port on circuit branches and headers

Standard Specifications

Ambient Temperature: 40° to 120°F (4° to 50°C).
Media Temperature: 40° to 175°F (4° to 80°C).
Flow Media: Filtered air; 5 micron recommended.
Inlet Pressure: 0 to 150 psig (0 to 10.3 bar).

System Schematics



Combination Regulator, Check and L-O-X® Valves

Combination Regulator and L-O-X® Valve



ROSS CONTROLS®

www.rosscontrols.com

PRODUCT DATA SHEET INFORMATION

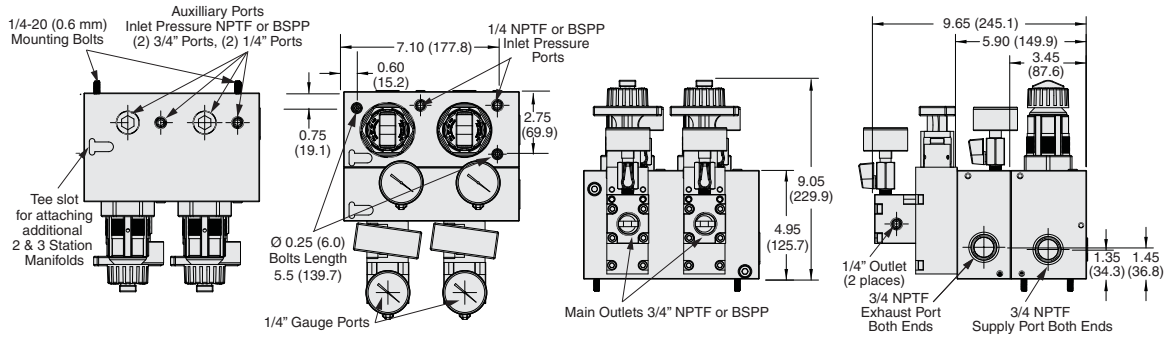


Air Distribution Manifolds For Main Air Panel Applications

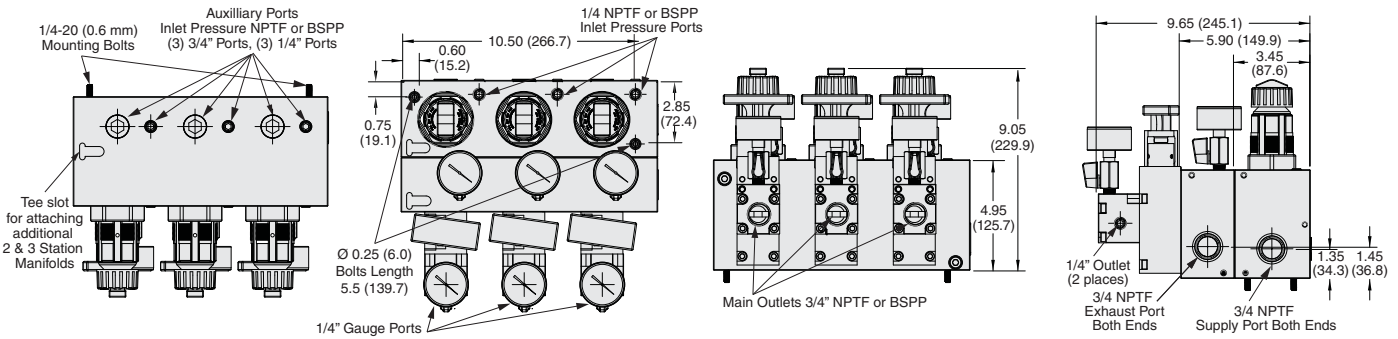
Dimensions – inches (mm)

Basic Size 12 - 3/4" X 3/4"

2- Station Manifold

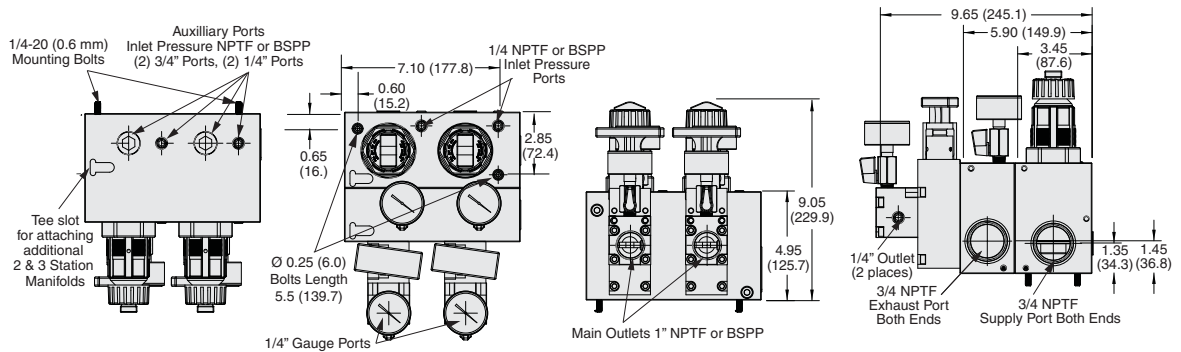


3-Station Manifold

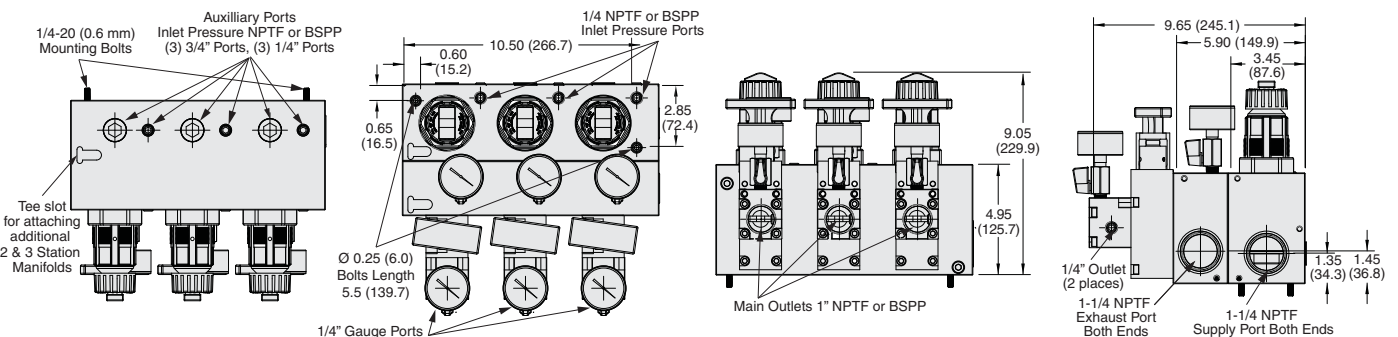


Basic Size 20 - 1 1/4" X 1"

2-Station Manifold



3-Station Manifold





PRODUCT DATA SHEET INFORMATION

Air Distribution Manifolds For Main Air Panel Applications

HOW TO ORDER

(Choose your options (in red) to configure your valve model number.)

ADM
A
12
-
C
C
X

THREAD	
NPT	Blank
BSPP	D
SAE	S

REVISION LEVEL	
All Sizes	A

BASIC SIZE	
3/4 inlet port	12
1 1/4 inlet port	20

1 ST STATION	
Regulator Only	A
Regulator + Check	B
Regulator + L-O-X®	C#
Regulator + Check + L-O-X®	D#

2 ST STATION	
Regulator Only	A
Regulator + Check	B
Regulator + L-O-X®	C#
Regulator + Check + L-O-X®	D#

3 ST STATION (Optional)	
Regulator Only	A
Regulator + Check	B
Regulator + L-O-X®	C#
Regulator + Check + L-O-X®	D#
None	X

* Minimum 2-station manifold, 3-station manifold available.
 ** All stations include regulator pressure gauge.
 # Stations with lockout valve include additional downstream pressure gauge.

NOTE: If a 4-station manifold is required combine two 2-station manifolds.
 If a 5-station manifold is required combine one 2-station, and one 3-station manifold.

ACCESSORIES

LIQUID FILLED GAUGES	
Model Number	
NPT	BSPP
5400A2014	D5400A2014

- Liquid filled
- Case: Stainless steel, 2 1/2" diameter
- Scale: Dual (Lb/in² – bar – x100 kpa)
- Dial range: 0 to 160 psig
- Bourdon tube type: ANSI grade B
- Connection: Brass 1/4" NPT center back mount
- Surge protector: Standard

GAUGE SHUT-OFF	
Model Number	
NPT	BSPP
112H74	D321H74

- Allows gauge installation without system shutdown
- Male-female ported for compact installation
- Nickel plated brass construction
- Rated to 250 psi (13.8 bar)

SILENCERS						
Port Size	Thread Type	Valve Model Number	Avg. C _v	Dimensions inches (mm)		Weight lb (kg)
				A	B	
3/4	NPT - Male	5500A5003	11.5	2.0 (51)	5.5 (140)	0.6 (0.3)
G 3/4	BSPT - Male	D5500A7503	11.5	2.0 (51)	5.5 (140)	0.6 (0.3)
1 1/4	NPT - Male	5500A7013	16.4	2.0 (51)	5.5 (140)	0.6 (0.3)
G 1 1/4	BSPT - Male	D5500A7013	16.4	2.0 (51)	5.5 (140)	0.6 (0.3)

Pressure Range: 0 to 150 psig (0 to 10.3 bar) maximum. **Flow Media:** Filtered air.

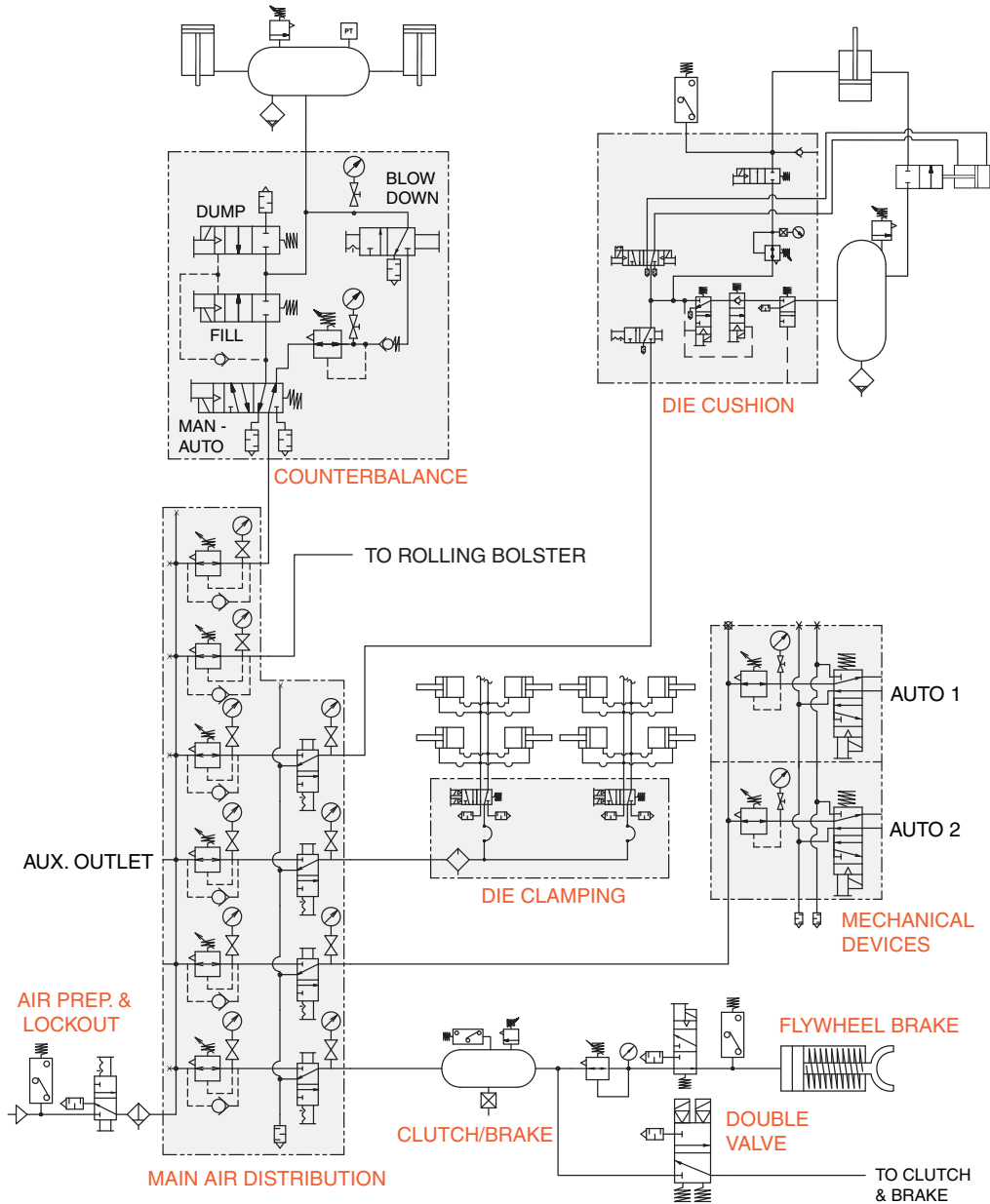
Press Industry Solutions

**Main Air Entry
Automatic Systems
Automation Valves
Clutch/Brake**

- Filters
- Counterbalance
- Flywheel Brake
- Double Valves

- Regulators
- Die Cushion
- Mechanical Devices

- Lockout Valves
- Die Clamping
- Part Ejection



FLUID POWER PRODUCTS FOR PNEUMATIC SOLUTIONS:

- Base Mounted Valves and Sub-Bases
- Line Mounted Valves
- Manual & Mechanical Valves
- Flow Control Products
- Air Preparation Products (F-R-L's)
- Safety-Related Products
- ROSS/FLEX® Solution
- ROSS Integrated Systems

Your local ROSS distributor is:

WARRANTY, CAUTIONS and WARNINGS

Standard ROSS warranty, cautions and warnings apply, available upon request or at www.rosscontrols.com.

ROSS CONTROLS	USA	Tel: 1-248-764-1800	web site: www.rosscontrols.com
ROSS EUROPA GmbH	Germany	Tel: 49-6103-7597-0	web site: www.rosseuropa.com
ROSS ASIA K.K.	Japan	Tel: 81-42-778-7251	web site: www.rossasia.co.jp
ROSS UK Ltd.	UK	Tel: 44-1543-671495	web site: www.rossuk.co.uk
ROSS SOUTH AMERICA Ltda.	Brazil	Tel: 55-11-4335-2200	email: vendas@rosscontrols.com
ROSS CONTROLS INDIA Pvt. Ltd.	India	Tel: 91-44-2624-9040	email: ross.chennai@rosscontrols.com
ROSS CONTROLS (CHINA) Ltd.	China	Tel: 86-21-6915-7961	web site: www.rosscontrolschina.com
ROSS FRANCE SAS	France	Tel: 33-1-49-45-65-65	web site: www.rossfrance.com
ROSS CANADA	Canada	Tel: 1-416-251-7677 (416-251-ROSS)	web site: www.rosscanada.com
<small>(6077170 CANADA INC. AN INDEPENDENT REPRESENTATIVE)</small>			

