

# Wheeled Excavator

## A 918

Litronic®

### Generation

6

### Operating Weight

18,900 kg

### Engine

120 kW / 163 HP

Stage IIIA (compliant)

Tier 3

### Bucket Capacity

0.32 – 1.05 m<sup>3</sup>



# LIEBHERR

## Performance

Robustly Stable Power,  
Strength and Precision

## Economy

A Sound Investment – Optimum Economy  
and Environmentally Friendly

### Operating Weight

18,900 kg

### Engine

120 kW/163 HP  
Stage IIIA (compliant)  
Tier 3

### Bucket Capacity

0.32 – 1.05 m<sup>3</sup>



## Reliability

Competence, Consistency,  
Innovation – Proven Experience

## Comfort

Ergonomic Excellence – Superior Cabin  
Design for Operator Comfort and Wellbeing

## Maintainability

Service Every Step of the Way –  
Simple, Fast and Reliable



# Performance



## Robustly Stable Power, Strength and Precision

Liebherr wheeled excavators are designed for maximum productivity. Large grab capacity, high payloads and rapid working cycles satisfy all the requirements for efficient site operations. A wide range of attachment versions enhances excavator use.

## Maximum Performance

### Versatile & Powerful

Liebherr developed the powerful A 918 to be productive and efficient in all applications. Road, sewer and pipeline construction as well as classic earthmoving operations are just some examples of its scope. The machine concept of the A 918 delivers some important benefits. Excellent weight distribution with compact dimensions combines enormous versatility and outstanding stability as well as high capacity.

### Working Faster

Many years of experience in the development and production of hydraulic excavators and systems allow us to harmonize the components perfectly. As a result, Liebherr hydraulic excavators feature rapid, fluid movements combined with high precision. These properties are also available when simply driving the machine. The speed and precision of the machine can be adjusted using the MODE switch to suit a new task, which also saves fuel.

## Precise Work

### Working with Precision

The Liebherr joysticks enable the operator to intuitively and sensitively control the Liebherr hydraulic system to complete even the most challenging tasks quickly. Liebherr has been using an infinitely variable proportional controller with four axes for many years. The slim, ergonomically designed proportional sensors deliver additional functionality to the classic machine controller without having to reach for additional controls. Typical functions include high and medium pressure movements for tools as well as lowering the machine outrigger. Buttons on the joysticks, which the operator can configure, deliver additional convenience and functions.



### Constant Power

- Powerful and robust construction machinery motor for continuous use at full load
- 4.5 liter displacement with high torque for fuel-efficient operation at low engine speeds
- Turbo loader with intercooling – high output at low fuel consumption
- Specially developed for use in construction machinery

### Digging Force

- High digging and breakout force
- Continuously high digging performance even in tough ground
- More digging force for faster results

### Travel Drive

- High traction for fast acceleration and powerful engine permit top speed on hills
- Reduces unproductive travel time between tasks and on the building site
- Faster on site – More productive

# Economy



## A Sound Investment – Optimum Economy and Environmentally Friendly

Liebherr wheeled excavators are machines that combine high productivity with excellent levels of economy – and all this comes as standard from the factory. On request, the efficiency of each wheeled excavator can be boosted further with a Liebherr productive bucket, fuel-saving Liebherr hydraulic oil or a Liebherr quick coupling system, all of which provide more return from each operating hour.

## Maximum Efficiency

### Powerful Construction Machinery Engine

The A 918 features a robust, modern four-cylinder engine which is powerful, fuel-efficient and reliable. The engine power is demonstrated in the form of high torque values at low speeds, thereby using its speed range superbly. Intensive long-term tests have proven the resilience and quality of the installed components. The engine satisfies the high quality standards demanded by Liebherr even in the most adverse conditions. This ensures reliability throughout the service life of the machine.

### Engine Idling

The standard automatic idling function reduces the engine speed to idle as soon as the operator takes his hand from the joystick so that no hydraulic function is activated. Proximity sensors in the joystick levers restore the original engine speed as soon as the operator's hand is moved towards the lever again. This ensures that the set engine speed is available immediately. The result is a combination of fuel saving and reduced noise levels.

## Increased Productivity

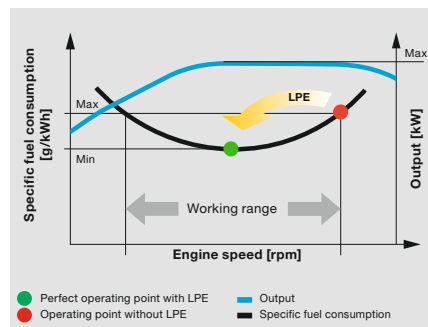
### Liebherr Quick Coupling Systems

To boost the productivity of your construction machines, Liebherr offers a broad range of working tools for different fields of application.

The A 918 can be equipped with various changeover systems to enable it to swap between tools quickly and safely. Such systems can significantly reduce time and operating costs and improve the machine's versatility.

### Automatic Digging Brake and Swing Axle Lock

The automatic digging brake ensures that manual actuation of the brake pedal is no longer required. When the machine is stationary, the digging brake engages automatically. This results in faster work processes and enhanced productivity, particularly during operation with frequent relocation of the excavator. Furthermore, the automatic digging brake can be linked with the automatic swing axle lock. When the machine is deployed and working, the swing axle locks automatically and thereby provides optimum stability.



### ECO Mode

- For particularly cost-effective and green working practices
- Fuel consumption reduction of up to 20 %
- 80 % of all jobs are possible in this mode without any loss of performance or speed

### Low Fuel Consumption Thanks to Intelligent Machine Control

- Liebherr-Power Efficiency (LPE) optimises the interaction of the drive components in terms of efficiency
- LPE enables machine operation in the area of the lowest specific fuel use for reduced consumption and greater efficiency with the same performance

### Smart Cooling System

- Needs-based cooling using thermostatic control
- Fuel-efficient
- Accelerated warm-up phase
- Guaranteed uniform oil quality due to constant oil temperature
- The service life of the drive components is extended

# Reliability



## Competence, Consistency, Innovation – Proven Experience

Reliability offers safety. Safety that significantly influences the success of a project. Whatever the weather, Liebherr stands for safety – with reliable construction machines and customer-oriented sales and service partners. This means a Liebherr construction machine is exactly what it should be: an investment that pays off.



## High Machine Availability

### Quality and Competence

Our product experience, our understanding of technical design and feedback from customers, along with sales and service, form the basis for the use of pioneering ideas and have always been an integral part of our recipe for success. In addition, Liebherr has been delivering great production depth and system solutions for decades. Key components such as the electronic components, slewing ring, slewing drive and hydraulic cylinders are developed and manufactured in-house. Our great production depth guarantees the highest quality possible and allows the components to be coordinated perfectly.

### Robust Design

All steel components are designed by Liebherr and manufactured in-house or in partnership with long-term suppliers from high strength steel designed to withstand the harshest requirements, guarantee high torsion resistance and excellent absorption of forces to ensure a long service life.



### QPDM – Quality and Process Data Management

- QPDM allows production data to be logged, documented and evaluated
- Automation of documentation and test specifications
- Ability to handle large quantities and maintain uniform high quality



### Excellent All-round Visibility

- The camera for rear-view and the optional lateral monitoring gives the driver an optimal view of his working area and the surrounding machine area at all times
- Optional working lights provide perfect illumination of the area around the machine in poor light, thus improving safety for both personnel and the machine

## Greater Safety

### Safety

In addition to the performance and economy of a wheeled excavator, the other main focus is on the safety of personnel and the machine. A wide range of equipment such as pipe fracture safety devices on lifting and stick cylinders, load holding valves on outriggers, overload warning device, roll-over protection system (ROPS) and the emergency exit through the rear window deliver maximum safety for every job.

### Maximum Stability

A robust undercarriage with securely welded outriggers deliver safe footing, maximum stability and a long service life. The stabilizer blade as well as the outriggers have been designed for the toughest scenarios, allowing the machine to reliably carry out its work at full load.



### Mitas EM 22 Twin Tyres

- Specially developed twin tyres for increased stability when the machine's outriggers are not extended
- Long service life through increased wear resistance
- High traction using V tread studs

# Comfort



## Ergonomic Excellence – Superior Cabin Design for Operator Comfort and Wellbeing

The Liebherr excavator cab comes with generous dimensions and an ergonomic design. The operator's seat is individually adjustable, the control panel is arranged clearly and helpfully and the all-round visibility is perfect. Automatic air-conditioning ensures the right temperature at all times in the "Liebherr feel-good cab".

## First-class Cab

### Productive Working Environment

The spacious Liebherr cab offers plenty of room for long working days and ensures the best platform for all-round visibility thanks to large window areas and narrow bars. All gear levers and control panels are located within reach and fit the ergonomic concept of the operator's cab perfectly. The temperature, fan setting and the standard automatic air-conditioning's head, chest and foot level air vents can be adjusted with ease using touchscreen control.

### Operator Seats

The Standard and Comfort operator's seat versions deliver maximum comfort. Even the Standard operator's seat has been manufactured with high-quality materials and has an extensive selection of standard equipment including pneumatic suspension, seat heating, headrest, lumbar support and much more.

A luxury which we believe every construction machine should provide.

### Smooth Operation

The use of visco-elastic mounts, good noise insulation and modern, smooth Liebherr diesel engines minimise noise emissions and vibrations.

## Comfortable Operation

### Radio with Hands-free Device

The optional Liebherr radio is MP3-compatible, has a USB connection and can be used as interface for the integral hands-free kit. If the machine operator connects his smartphone to the radio using Bluetooth, the touchscreen can be used to control phone calls. This means that all media, including the radio, MP3 or phone calls, are controlled using a central unit which provides greater clarity, simplicity and comfort.

### Control Unit

The large touchscreen provides the operator with a fast, uncomplicated interface which delivers all the information required for working with the machine. A flat, intuitive menu system ensures that it can be readily understood so that the control unit can be used in a highly productive way.



### Refuelling

- Using the optional refuelling pump, the machine can be refuelled directly from a fuel container
- An integral tank hose and an automatic shut off when the tank is full deliver greater comfort and short refuelling times
- Topping up – simple, quick and safe

### Sliding Two-piece Windscreen

- Unrestricted view of the working area by sliding in the windscreen
- Simple mechanism for rapid and intuitive opening
- Windscreen can be split in two

### Intuitive Operation

- Display of the machine data and camera image on the 7-inch indicating unit with touchscreen and direct access via menu bar
- 20 user-programmable memory slots for working tools, which can be used for quickly and easily setting the oil pressure and oil flow at the push of a button when changing tools

# Maintainability



## Service Every Step of the Way – Simple, Fast and Reliable

Liebherr compact wheeled excavators are not only powerful, robust, precise and efficient, they also impress with the service-orientated machine design. Maintenance is performed quickly, simply and safely. This reduces maintenance costs and keeps machine downtimes to a minimum.

# Simplified Maintenance Concept

## Service-based Machine Design

The service-based machine design guarantees short servicing times, thus minimising maintenance costs due to the time it saves. All the maintenance points are easily accessible from the ground and easy to reach due to the large, wide-opening service doors. The enhanced service concept places the maintenance points close to each other and reduces their number to a minimum.

## CAN Bus System

Operating data is collected and transferred to the control center using an extended CAN bus system for machine monitoring and diagnostic purposes. This enables you to check the status of your machine at any time and ensure that it operates reliably.

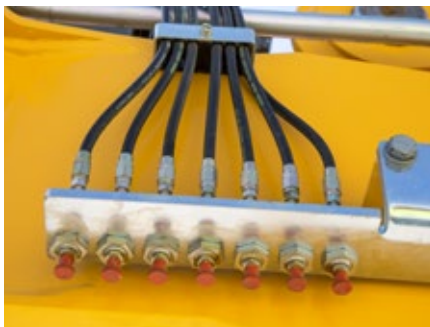
# Your Competent Service Partner

## Strong Partner – Strong Service

Liebherr facilities and service partners all over the world provide you with competent, reliable and efficient support – any time, any place. Speed and reliability are an integral part of the services provided by Liebherr because quick response times mean less downtime and help to restore your machine's productivity swiftly.

## Competent Advice and Service

Competent advice is a given at Liebherr. Experienced specialists provide advice for your specific requirements: application-oriented sales support, service agreements, cost effective repair alternatives and original parts management.



## Reliable Lubrication

- Accessible lubrication points are grouped together on a strip, thus reducing maintenance time
- Single lubrication nipples are easily accessible

## Excellent Service Access

- Large, wide-opening service doors
- Engine oil, fuel, air and cab air filters are easily and safely accessible from the ground
- The oil level in the hydraulic tank can be checked from the cab
- Standard magnetic rod in the hydraulic tank as reliable service indicator

## Rapid Spare Parts Service

- Spare parts service is available for our dealers around the clock
- Electronic spare parts catalogue: Fast and reliable selection and ordering via the Liebherr online portal
- With online tracking, the current processing status of your order can be viewed at any time

# Wheeled Excavator A 918 Litronic

## Overview

### Excellent Machine Concept for Maximum Reliability

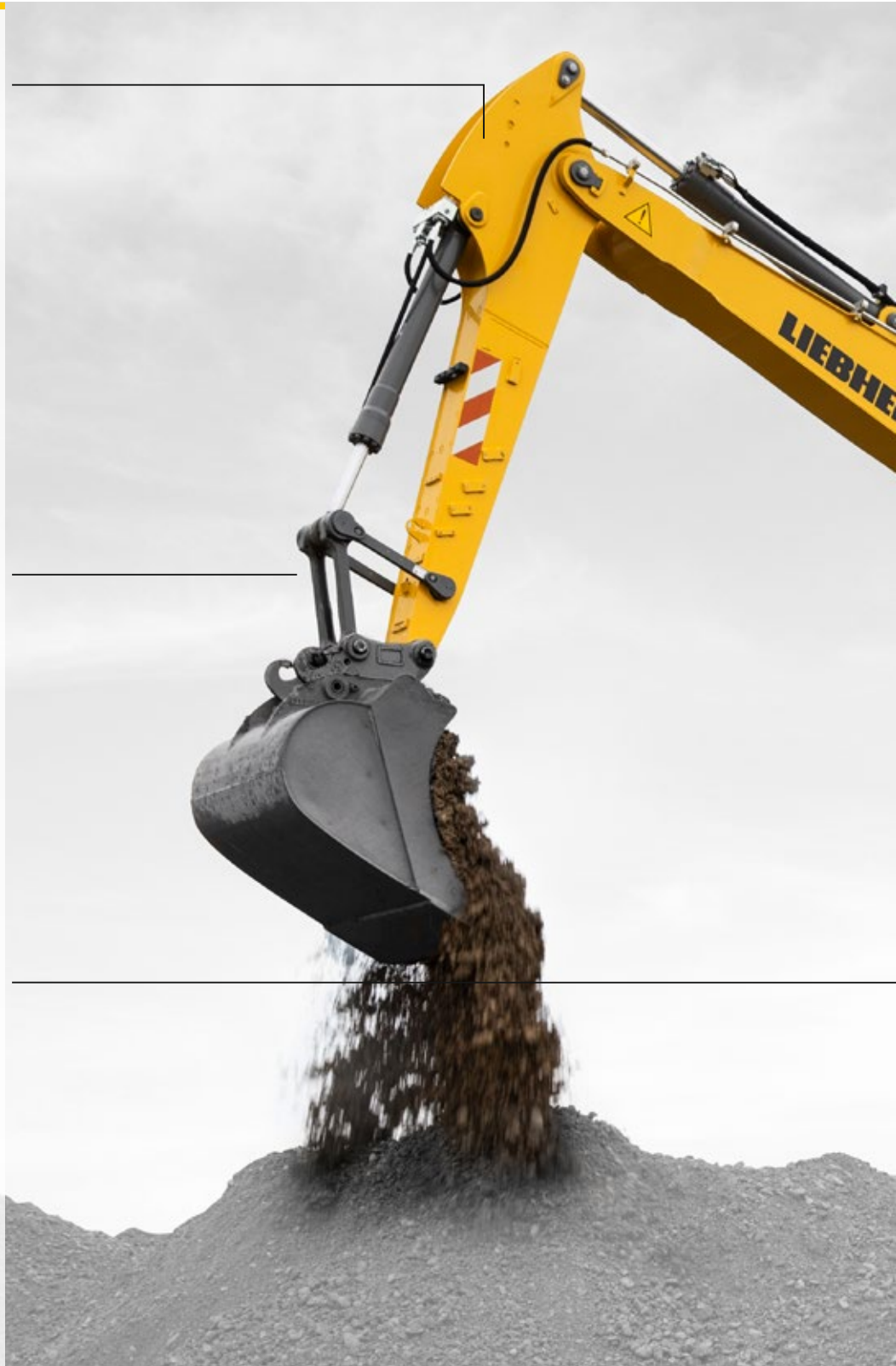
- Robust design made of high strength steel
- Solid, welded outriggers
- Load holding valves on all outriggers
- Liebherr hydraulic cylinders with standard pipe fracture safety devices for lifting and stick cylinders
- Overload warning device
- Roll-over protection system (ROPS)
- Twin tyres

### Superior Technology for Highest Economy

- Powerful and robust construction machinery motor for continuous use at full load
- Liebherr-Power-Efficiency (LPE) – Liebherr's smart engine controller
- Load-sensing-control
- Sensor-controlled automatic idling system

### Simplified Maintenance Concept for Maximum Productivity

- Service-enhanced machine structure with easy access to the maintenance points
- Grouped lubrication points on a strip for simple manual lubrication
- Liebherr Hydraulic Plus – oil with an extended service life of up to 8,000 operating hours
- Highly qualified, experienced trained personnel provide competent care





### **Ergonomic Operator's Work Station for Maximum Comfort**

- High quality operator's seats in a range of versions
- Control console connected to the seat and ergonomic joysticks
- Folding control console, left
- Proportional control with 4-way mini-joystick
- Automatic air-conditioning system
- Control Unit – 7" large colour touchscreen
- Rear and side monitor
- Convenient radio control with hands-free kit
- Tool Control for working tools (optional)
- LED headlights (optional)
- Large windows
- Sliding two-piece windscreen

### **Perfect Combination for Highest Possible Performance**

- Powerful 4-cylinder in-line engine with Common-Rail injection system
- Liebherr hydraulic system for high digging and breakout forces with combined, fluid movements
- Flexible configuration of the machine with various attachment and tool versions and options

# Technical Data



## Diesel Engine

<b>Rating per ISO 9249</b>	120 kW (163 HP) at 1,800 RPM
<b>Model</b>	Cummins QSB 4.5
<b>Type</b>	4 cylinder in-line
Bore/Stroke	107 / 124 mm
Displacement	4.5 l
<b>Engine operation</b>	4-stroke diesel Common-Rail turbo-charged and after-cooled reduced emissions
<b>Air cleaner</b>	dry-type air cleaner with pre-cleaner, primary and safety elements
<b>Engine idling</b>	sensor controlled
<b>Electrical system</b>	
Voltage	24 V
Batteries	2 x 135 Ah / 12 V
Alternator	three-phase current 28 V / 90 A
<b>Stage IIIA (compliant)</b>	
Harmful emissions values	in accordance with ECE-R.96 Power Band I
<b>Tier 3</b>	
Harmful emissions values	in accordance with EPA/CARB-40CFR stage Tier 3
<b>Fuel tank</b>	369 l



## Cooling System

<b>Diesel engine</b>	water-cooled compact cooling system consisting cooling unit for water, hydraulic oil and charge air with stepless thermostatically controlled fan, fans for radiator cleaning can be completely folded away
----------------------	--



## Hydraulic Controls

<b>Power distribution</b>	via control valves with integrated safety valves, simultaneous and independent actuation of chassis, swing drive and equipment
<b>Servo circuit</b>	
Equipment and swing	with hydraulic pilot control and proportional joystick levers
Chassis	electroproportional via foot pedal
<b>Additional functions</b>	via switch or electroproportional foot pedals
<b>Proportional control</b>	proportionally acting transmitters on the joysticks for additional hydraulic functions



## Hydraulic System

<b>Hydraulic pump</b>	for equipment and travel drive	Liebherr axial piston variable displacement pump
Max. flow		300 l/min.
Max. pressure		350 bar
<b>Hydraulic pump regulation and control</b>		Liebherr-Synchron-Comfort-system (LSC) with electronic engine speed sensing regulation, pressure and flow compensation, torque controlled swing drive priority
<b>Hydraulic tank</b>		155 l
<b>Hydraulic system</b>		max. 350 l
<b>Hydraulic oil filter</b>		1 main return filter with integrated partial micro filtration (5 µm)
<b>MODE selection</b>		adjustment of engine and hydraulic performance via a mode pre-selector to match application, e.g. for especially economical and environmentally friendly operation or for maximum digging performance and heavy-duty jobs
S (Sensitive)		mode for precision work and lifting through very sensitive movements
E (Eco)		mode for especially economical and environmentally friendly operation
P (Power)		mode for high performance with low fuel consumption
P+ (Power-Plus)		mode for highest performance and for very heavy duty applications, suitable for continuous operation
<b>Engine speed and performance setting</b>		stepless alignment of engine output and hydraulic power via engine speed
Option		Tool Control: 20 preadjustable pump flows and pressures for add-on attachments



## Swing Drive

<b>Drive</b>	Liebherr axial piston motor with integrated brake valve and torque control, Liebherr planetary reduction gear
<b>Swing ring</b>	Liebherr, sealed race ball bearing swing ring, internal teeth
<b>Swing speed</b>	0 – 10.0 RPM stepless
<b>Swing torque</b>	54 kNm
<b>Holding brake</b>	wet multi-disc (spring applied, pressure released)
<b>Option</b>	pedal controlled positioning swing brake





## Operator's Cab

<b>Cab</b>	ROPS safety cab structure (roll-over protection system) with individual windscreens or featuring a slide-in subpart under the ceiling, work headlights integrated in the ceiling, a door with a sliding window (can be opened on both sides), large stowing and depositing possibilities, shock-absorbing suspension, sounddamping insulating, tinted laminated safety glass, separate window shades for the sunroof window and windscreen
<b>Operator's seat Standard</b>	air cushioned operator's seat with 3D-adjustable armrests, headrest, lap belt, seat heater, manual weight adjustment, adjustable seat cushion inclination and length and mechanical lumbar vertebrae support
<b>Operator's seat Comfort (Option)</b>	in addition to operator's seat standard: lockable horizontal suspension, automatic weight adjustment, adjustable suspension stiffness, pneumatic lumbar vertebrae support and passive seat climatisation with active coal
<b>Control system</b>	joysticks with control consoles and swivel seat, folding left control console
<b>Operation and displays</b>	large high-resolution operating unit, selfexplanatory, colour display with touchscreen, video-compatible, numerous setting, control and monitoring options, e.g. air conditioning control, fuel consumption, machine and attachment parameters
<b>Air-conditioning</b>	automatic air-conditioning, recirculated air function, fast de-icing and demisting at the press of a button, air vents can be operated via a menu; recirculated air and fresh air filters can be easily replaced and are accessible from the outside; heating-cooling unit, designed for extreme outside temperatures, sensors for solar radiation, inside and outside temperatures (country-dependent)



## Undercarriage

<b>Drive</b>	oversized two speed power shift transmission with additional creeper speed, Liebherr axial piston motor with functional brake valve on both sides
<b>Pulling force</b>	127 kN
<b>Travel speed</b>	0 – 3.5 km/h stepless (creeper speed off-road) 0 – 7.0 km/h stepless (off-road) 0 – 13.0 km/h stepless (creeper speed on-road) 0 – 37.0 km/h stepless (road travel)
<b>Driving operation</b>	automotive driving using accelerator pedal, cruise control function: storage of variable accelerator pedal positions, both off-road and on-road
<b>Axes</b>	manual or automatic hydraulically controlled front axle oscillation lock
<b>Service brake</b>	two circuit travel brake system with accumulator; wet and backlash-free disc brake
<b>Automatic digging brake</b>	works automatically when driving off (accelerator pedal actuation) and when the machine is stationary (engagement); the digging brake engages automatically – can be coupled with automatic swing axle lock
<b>Holding brake</b>	wet multi-disc (spring applied, pressure released)
<b>Stabilization</b>	rear outriggers + front stabilizer blade (stabilizer blade adjustable during travel)



## Equipment

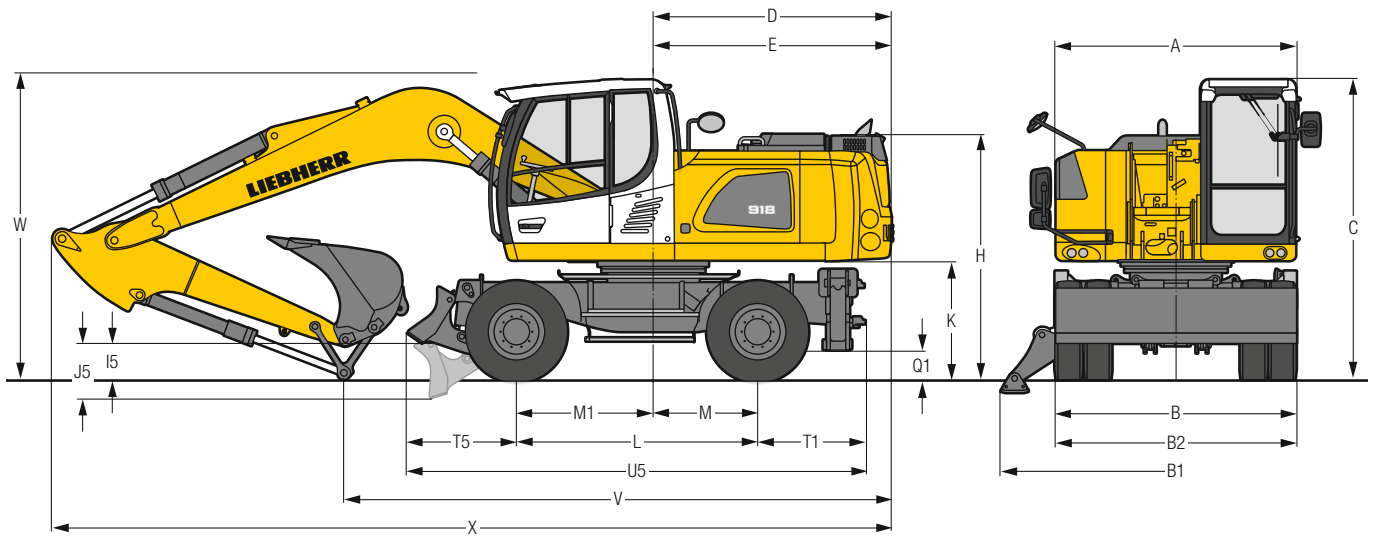
<b>Type</b>	high-strength steel plates at highlystressed points for the toughest requirements. Complex and stable mountings of equipment and cylinders
<b>Hydraulic cylinders</b>	Liebherr cylinders with special seal system as well as shock absorption
<b>Bearings</b>	sealed, low maintenance



## Complete Machine

<b>Lubrication</b>	standard: decentralised lubrication strip on the mono boom and single lubrication points on the stick; optional: Liebherr central lubrication system for uppercarriage and equipment, automatically
<b>Noise emission</b>	
ISO 6396	$L_{pA}$ (inside cab) = 71 dB(A)
2000/14/EC	$L_{WA}$ (surround noise) = 100 dB(A)

# Dimensions



	mm
<b>A</b>	2,525
<b>B</b>	2,550
<b>B1</b>	3,695
<b>B2</b>	2,550
<b>C</b>	3,165
<b>D</b>	2,510
<b>E</b>	2,510
<b>H</b>	2,590
<b>I5</b>	380
<b>J5</b>	585
<b>K</b>	1,230
<b>L</b>	2,540
<b>M</b>	1,100
<b>M1</b>	1,440
<b>Q1</b>	305
<b>T1</b>	1,135
<b>T5</b>	1,153
<b>U5</b>	4,830

E = Tail radius  
Tyres 10.00-20

	Stick m	Mono boom 5.30 m	
		Rear outriggers + front blade mm	
<b>V</b>	2.45	5,950	
	2.65	5,800	
	3.05	5,300*	
<b>W</b>	2.45	3,200	
	2.65	3,250	
	3.05	3,150*	
<b>X</b>	2.45	8,850	
	2.65	8,850	
	3.05	8,950*	

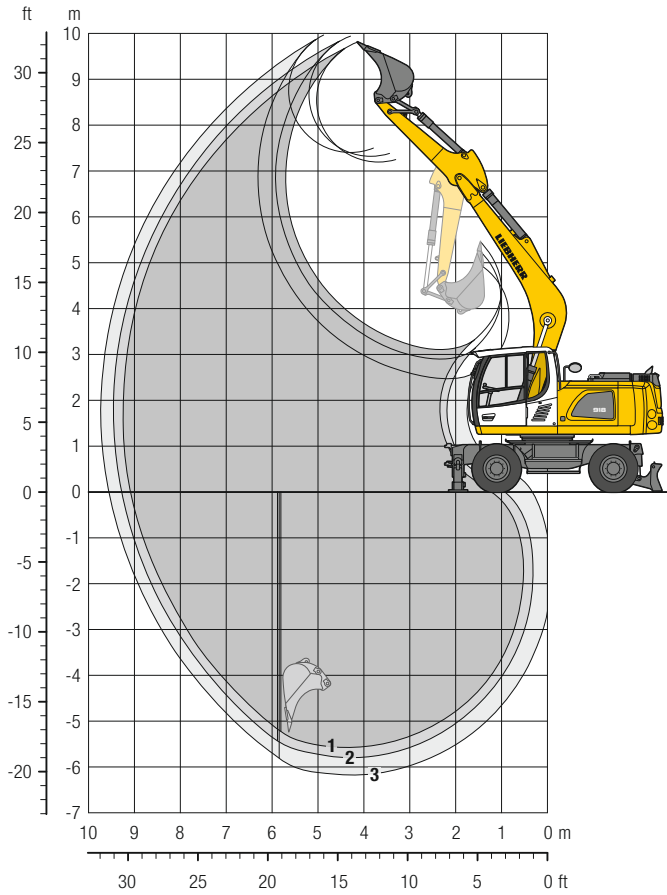
Dimensions are with equipment over steering axle

\* Equipment over digging axle for shorter transport dimensions

W = Max. ground clearance including approx. 150 mm piping

# Backhoe Bucket

## with Mono Boom 5.30 m



### Digging Envelope

without quick coupler		1	2	3
Stick length	m	2.45	2.65	3.05
Max. digging depth	m	5.60	5.80	6.20
Max. reach at ground level	m	9.10	9.30	9.55
Max. dumping height	m	7.20	7.30	7.40
Max. teeth height	m	9.80	9.95	9.95
Min. equipment radius	m	2.75	2.78	2.58

### Digging Forces

without quick coupler		1	2	3
Max. digging force (ISO 6015)	kN	83.1	78.2	69.9
	t	8.5	8.0	7.1
Max. breakout force (ISO 6015)	kN	95.0	95.0	95.0
	t	9.7	9.7	9.7

Max. breakout force with ripper bucket

125.6 kN (12.8 t)

### Operating Weight

The operating weight includes the basic machine with 8 tyres plus intermediate rings, mono boom 5.30 m, stick 2.65 m and bucket 1,050 mm / 0.80 m<sup>3</sup>.

Undercarriage versions	Weight (kg)
A 918 Litronic with rear outriggers + front blade	18,900

### Buckets Machine stability per ISO 10567\* (75% of tipping capacity)

Cutting width mm	Capacity ISO 7451 <sup>1)</sup> m <sup>3</sup>	Weight kg	Stabilizers raised			Rear outriggers + front blade down		
			Stick length (m)			Stick length (m)		
			2.45	2.65	3.05	2.45	2.65	3.05
500 <sup>2)</sup>	0.32	290	■	■	■	■	■	■
650 <sup>2)</sup>	0.45	400	■	■	■	■	■	■
850 <sup>2)</sup>	0.60	430	■	■	■	■	■	■
1,050 <sup>2)</sup>	0.80	510	■	■	■	■	■	■
1,250 <sup>2)</sup>	0.95	560	■	■	■	■	■	■
500 <sup>3)</sup>	0.32	330	■	■	■	■	■	■
650 <sup>3)</sup>	0.45	440	■	■	■	■	■	■
850 <sup>3)</sup>	0.60	480	■	■	■	■	■	■
1,050 <sup>3)</sup>	0.80	570	■	■	■	■	■	■
1,250 <sup>3)</sup>	0.95	630	■	■	■	■	■	■
500 <sup>4)</sup>	0.34	280	■	■	■	■	■	■
650 <sup>4)</sup>	0.45	380	■	■	■	■	■	■
850 <sup>4)</sup>	0.65	410	■	■	■	■	■	■
1,050 <sup>4)</sup>	0.85	490	■	■	■	■	■	■
1,250 <sup>4)</sup>	1.05	530	■	■	■	■	■	■

\* Indicated loads are based on ISO 10567 and do not exceed 75% of tipping or 87% of hydraulic capacity, max. stick length without quick coupler, lifted 360° on firm with blocked oscillating axle

<sup>1)</sup> comparable with SAE (heaped)

<sup>2)</sup> Bucket with teeth <sup>3)</sup> Bucket with teeth in HD-version <sup>4)</sup> Bucket with cutting edge (also available in HD-version)

Max. material weight ■ = ≤ 1.8 t/m<sup>3</sup>, ■ = ≤ 1.5 t/m<sup>3</sup>, △ = ≤ 1.2 t/m<sup>3</sup>, - = not authorised

# Lift Capacities

## with Mono Boom 5.30 m

### Stick 2.45 m

m	Undercarriage stabilized		3.0 m		4.5 m		6.0 m		7.5 m		m		
	rear	front											
7.5	—	—			4.4*	4.4*					3.1*	3.1*	5.3
	Outriggers	Blade			4.4*	4.4*					3.1*	3.1*	
6.0	—	—			4.4*	4.4*	3.5	4.3*			2.7*	2.7*	6.6
	Outriggers	Blade			4.4*	4.4*	4.3*	4.3*			2.7*	2.7*	
4.5	—	—	6.9*	6.9*	5.3	5.3*	3.4	4.6*			2.5	2.6*	7.4
	Outriggers	Blade	6.9*	6.9*	5.3*	5.3*	4.6*	4.6*			2.6*	2.6*	
3.0	—	—			4.9	6.7*	3.3	4.9	2.3	3.5	2.2	2.7*	7.8
	Outriggers	Blade			6.7*	6.7*	5.1	5.2*	3.7	4.5*	2.7*	2.7*	
1.5	—	—			4.5	7.2	3.1	4.7	2.3	3.4	2.1	2.8*	7.9
	Outriggers	Blade			7.4	8.0*	4.9	5.8*	3.6	4.7*	2.8*	2.8*	
0	—	—			4.3	7.0	3.0	4.6	2.2	3.4	2.1	3.2*	7.7
	Outriggers	Blade			7.2	8.5*	4.8	6.1*	3.5	4.8*	3.2*	3.2*	
-1.5	—	—	7.7	7.9*	4.3	6.9	2.9	4.6			2.4	3.6	7.2
	Outriggers	Blade	7.9*	7.9*	7.2	8.2*	4.7	6.0*			3.7	3.8*	
-3.0	—	—	7.9	10.0*	4.4	7.0	3.0	4.6			2.9	4.4	6.2
	Outriggers	Blade	10.0*	10.0*	7.1*	7.1*	4.8	5.1*			4.6	4.7*	
-4.5	—	—											
	Outriggers	Blade											

### Stick 2.65 m

m	Undercarriage stabilized		3.0 m		4.5 m		6.0 m		7.5 m		m		
	rear	front											
7.5	—	—			4.1*	4.1*					2.7*	2.7*	5.5
	Outriggers	Blade			4.1*	4.1*					2.7*	2.7*	
6.0	—	—			4.2*	4.2*	3.5	4.1*			2.5*	2.5*	6.8
	Outriggers	Blade			4.2*	4.2*	4.1*	4.1*			2.5*	2.5*	
4.5	—	—			5.0*	5.0*	3.4	4.4*	2.4	2.9*	2.3	2.4*	7.6
	Outriggers	Blade			5.0*	5.0*	4.4*	4.4*	2.9*	2.9*	2.4*	2.4*	
3.0	—	—			4.9	6.5*	3.3	4.9	2.3	3.5	2.1	2.4*	8.0
	Outriggers	Blade			6.5*	6.5*	5.0*	5.0*	3.6	4.4*	2.4*	2.4*	
1.5	—	—			4.5	7.2	3.1	4.7	2.3	3.4	2.0	2.6*	8.1
	Outriggers	Blade			7.4	7.8*	4.9	5.7*	3.6	4.6*	2.6*	2.6*	
0	—	—			4.3	6.9	3.0	4.6	2.2	3.4	2.1	2.9*	7.9
	Outriggers	Blade			7.2	8.4*	4.8	6.0*	3.5	4.7*	2.9*	2.9*	
-1.5	—	—	7.6*	7.6*	4.2	6.9	2.9	4.5			2.2	3.4	7.4
	Outriggers	Blade	7.6*	7.6*	7.1	8.2*	4.7	6.0*			3.4*	3.4*	
-3.0	—	—	7.8	10.3*	4.3	6.9	2.9	4.6			2.7	4.2	6.5
	Outriggers	Blade	10.3*	10.3*	7.2	7.3*	4.7	5.2*			4.3	4.6*	
-4.5	—	—											
	Outriggers	Blade											

### Stick 3.05 m

m	Undercarriage stabilized		3.0 m		4.5 m		6.0 m		7.5 m		m		
	rear	front											
7.5	—	—									2.2*	2.2*	6.0
	Outriggers	Blade									2.2*	2.2*	
6.0	—	—					3.6	3.8*			2.0*	2.0*	7.2
	Outriggers	Blade					3.8*	3.8*			2.0*	2.0*	
4.5	—	—			4.5*	4.5*	3.5	4.1*	2.4	3.4*	2.0*	2.0*	7.9
	Outriggers	Blade			4.5*	4.5*	4.1*	4.1*	3.4*	3.4*	2.0*	2.0*	
3.0	—	—	8.9	9.5*	5.0	6.0*	3.3	4.8*	2.4	3.5	2.0	2.0*	8.3
	Outriggers	Blade	9.5*	9.5*	6.0*	6.0*	4.8*	4.8*	3.7	4.2*	2.0*	2.0*	
1.5	—	—			4.6	7.2	3.1	4.7	2.3	3.4	1.9	2.2*	8.4
	Outriggers	Blade			7.5*	7.5*	4.9	5.5*	3.6	4.5*	2.2*	2.2*	
0	—	—	5.1*	5.1*	4.3	6.9	2.9	4.6	2.2	3.3	1.9	2.5*	8.2
	Outriggers	Blade	5.1*	5.1*	7.2	8.3*	4.7	5.9*	3.5	4.7*	2.5*	2.5*	
-1.5	—	—	7.5	7.6*	4.2	6.8	2.9	4.5	2.1	3.3	2.1	3.0*	7.7
	Outriggers	Blade	7.6*	7.6*	7.1	8.3*	4.7	6.0*	3.4	4.5*	3.0*	3.0*	
-3.0	—	—	7.7	11.0*	4.2	6.8	2.9	4.5			2.5	3.8	6.8
	Outriggers	Blade	11.0*	11.0*	7.1	7.6*	4.7	5.5*			4.0	4.1*	
-4.5	—	—	7.9	8.4*	4.4	5.8*					3.5	4.6*	5.4
	Outriggers	Blade	8.4*	8.4*	5.8*	5.8*					4.6*	4.6*	

Height Can be slewed through 360° In longitudinal position of undercarriage Max. reach \* Limited by hydr. capacity

The lift capacities on the stick end without attachment are stated in metric tons (t) and are valid on a firm, level supporting surface with blocked oscillating axle. These capacities can be slewed through 360° with the undercarriage in the transverse position. Capacities in the longitudinal position of the undercarriage (+/- 15°) are specified over the steering axle with the stabilizers raised and over the rigid axle with the stabilizers down. Indicated loads based on the ISO 10567 standard and do not exceed 75% of tipping or 87% of hydraulic capacity. Lifting capacity of the excavator is limited by machine stability and hydraulic capacity.

In accordance with the harmonised European Standard EN 474-5, hydraulic excavators used for lifting operations must be equipped with pipe fracture safety valves, an overload warning device, a load lift hook and a lift capacity chart.

# Equipments

## Ditch Cleaning Buckets/Tilt Buckets

### Ditch Cleaning Buckets Machine stability per ISO 10567\* (75% of tipping capacity)

Cutting width mm	Capacity ISO 7451 <sup>1)</sup> m <sup>3</sup>	Weight kg	Stabilizers raised			Rear outriggers + front blade down		
			Stick length (m)			Stick length (m)		
			2.45	2.65	3.05	2.45	2.65	3.05
<b>Mono boom 5.30 m</b>								
1,500 <sup>3)</sup>	0.50	430	■	■	■	■	■	■
1,600 <sup>2)</sup>	0.55	690	■	■	■	■	■	■
1,600 <sup>2)</sup>	0.80	850	■	■	■	■	■	■
2,000 <sup>2)</sup>	0.50	690	■	■	■	■	■	■
2,000 <sup>3)</sup>	0.48	400	■	■	■	■	■	■
2,000 <sup>2)</sup>	0.70	880	■	■	■	■	■	■

### Tilt Buckets Machine stability per ISO 10567\* (75% of tipping capacity)

Cutting width mm	Capacity ISO 7451 <sup>1)</sup> m <sup>3</sup>	Weight kg	Stabilizers raised			Rear outriggers + front blade down		
			Stick length (m)			Stick length (m)		
			2.45	2.65	3.05	2.45	2.65	3.05
<b>Mono boom 5.30 m</b>								
1,500 <sup>2)</sup>	0.60	680	■	■	■	■	■	■
1,600 <sup>2)</sup>	0.80	820	■	■	■	■	■	■

\* Indicated loads are based on ISO 10567 and do not exceed 75% of tipping or 87% of hydraulic capacity, max. stick length without quick coupler, lifted 360° on firm with blocked oscillating axle

<sup>1)</sup> comparable with SAE (heaped)

<sup>2)</sup> with 2 x 50° rotator

<sup>3)</sup> rigid ditch cleaning bucket

Max. material weight ■ = ≤ 1.8 t/m<sup>3</sup>, ■ = ≤ 1.5 t/m<sup>3</sup>, △ = ≤ 1.2 t/m<sup>3</sup>, – = not authorised

# Equipment

## Undercarriage

Dual-circuit braking system	•
Digging brake, automatic	•
Cab access, rear	•
Tyres (twin tyres) Mitas EM 22 10.00-20 PR 16 (MH3)	•
Individual control outriggers	+
Travel speed levels (four)	•
Mudguards (rear and front)	+
Load holding valve on each stabilization cylinder	•
Powershift transmission, semiautomatic	•
Parking brake, maintenance-free	•
Rear outriggers + front stabilizer blade	•
Protection for piston rods, stabilizer cylinder	+
Protection for piston rods, outriggers	+
Speeder 37 km/h*	•
Storage compartment left – lockable	•
Storage compartment right – lockable	+
Lashing eyelets for transport	•
Tool equipment, extended	+

## Uppercarriage

Uppercarriage right side light, 1 piece, LED	+
Uppercarriage rear light, 2 pieces, LED	+
Refuelling system with filling pump	+
Main battery switch for electrical system	•
Engine hood with gas spring	•
Amber beacon, at uppercarriage, LED double flash	+
Service doors, lockable	•

## Hydraulic System

Shut-off valve between hydraulic tank and pump(s)	•
Pressure test fittings	•
Accumulator for controlled lowering of the equipment with the engine shut down	•
Hydraulic oil filter with integrated microfilter	•
Liebherr hydraulic oil from –20 °C to +40 °C	•
Liebherr hydraulic oil, specially for warm or cold regions	+
Magnetic rod in hydraulic tank	•
Bypass filter	+
Switchover high pressure circuit and tipping cylinder	+

## Diesel Engine

Reversible fan drive, fully automatic	+
Air pre-filter with dust discharge	+
Preheating fuel	+

## Operator's Cab

Storage compartment	•
Stabilizer, proportional control on left joystick	•
Cab lights rear, LED	+
Cab lights front, halogen (under rain cover)	•
Cab lights front, LED (above rain cover)	+
Cab lights front, LED (under rain cover)	+
Mechanical hour meters, readable from outside the cab	•
Slewing gear brake Comfort, button on the left or right joystick	+
Operator's seat Standard	•
Operator's seat Comfort	+
Driving alarm (acoustic signal is emitted during travel, can be switched ON/OFF)	+
Windscreen retractable (including upper part)	•
Intermittent windscreen wiper with wiper washer	•
Cruise control	•
Rubber floor mat, removable	•
Dome light	•
Interior mirror	•
Licence plate holder with light	+
Coat hook	•
Automatic air conditioning	•
Fuel consumption indicator	•
Steering column adjustable horizontally	•
LiDAT, vehicle fleet management*	+
Emergency exit rear window	•
Positioning swing brake	+
Proportional control	•
Radio Comfort, control via display with handsfree set	+
Preparation for radio installation	•
Rain cover over front window opening	•
ROPS cab protection	•
Amber beacon, on cabin, LED double flash	+
All tinted windows	•
Windshield wiper, entire windscreen	•
Door with sliding window	•
Top guard	+
Front guard, adjustable	•
Right side window and windshield made from laminated safety glass	•
Sun blind	•
Auxiliary heating, adjustable (week time switch)	+
Left control console, folding	•
Electronic immobilizer	+
Cigarette lighter	•

# Equipment



## Equipment

Boom lights, 2 pieces, halogen	•
Boom lights, 2 pieces, LED	+
High pressure circuit incl. unpressurised return line and Tool Control	+
Security for hoist cylinder for hydraulic attachments	+
Leak oil line, additional for attachments	+
Liebherr ditch cleaning bucket	+
Liebherr quick coupler, hydraulic or mechanical	+
Liebherr tilt bucket	+
Liebherr tilt rotator	+
Liebherr sorting grab	+
Liebherr backhoe bucket	+
Liebherr tooth system	+
Liebherr clamshell grab	+
Medium pressure circuit incl. lines	+
Mono boom	•
Pipe fracture safety valves hoist cylinders	•
Pipe fracture safety valve stick cylinder	•
Return line, pressureless (in high pressure circuit option included)	+
Hose quick coupling at end of stick	•
Protection for bottom side of stick	+
Tool Control, 20 attachment adjustments selectable over the display	+
Overload warning device	•



## Complete Machine

<b>Cold weather package</b>	
Preheating fuel	+
<b>Lubrication</b>	
Lubrication uppercarriage and equipment, manually – decentralised (grease points)	•
Lubrication undercarriage, manually – decentralised (grease points)	•
Central lubrication system for uppercarriage and equipment, automatically (without quick coupler and connecting link) *	+
<b>Monitoring</b>	
Rear view monitoring with camera	•
Side view monitoring with camera	+

• = Standard, + = Option

\* = country-dependent

Options and / or special equipments, supplied by vendors other than Liebherr, are only to be installed with the knowledge and approval of Liebherr in order to retain warranty.

### Liebherr-Hydraulikbagger GmbH

Liebherrstraße 12, D-88457 Kirchdorf/Iller

☎ +49 7354 80-0, Fax +49 7354 80-7294

www.liebherr.com, E-Mail: info.lhb@liebherr.com

www.facebook.com/LiebherrConstruction