

# ÇUKUROVA

“Reaching Further...”

## Backhoe Loader 888



## Features

### Powerful Engine

Powering it with PERKINS 1104C-44T Tier II, PERKINS 110D-44T Tier III or PERKINS 1204F-E44TA Tier IV turbocharged diesel engine which offers world-class performance and complies with all relevant environmental regulations.

### Optimum Weight Distribution

The new generation Cukurova Backhoe Loaders are designed to have Optimum Weight Distribution giving safe, stable steering on the highway and provides a solid digging platform.

### Improved Performance

The new generation ÇUKUROVA 888 model Backhoe Loaders is the ideal combination of concentrated power, safety and extreme user-friendliness. Cukurova was one of the pioneers in using new generation control system for backhoe loaders. This system of hydraulic operated joystick controls, for both backhoe and loader attachments enable operators to spend less effort with much greater precision of movement during working. This system provides better controllability, maintains motion under any flow or load, takes the strain from the operator; increases oil life and reduces oil reservoir temperature.

### Excavator Style Comfort

For backhoe, ÇUKUROVA 888 offers an extra operating comfort by assembling the hydraulic joysticks on separately adjustable backhoe joystick columns placed at the right-left side of the cab. This innovation exceeds the operator demands in so far that they can arrange the columns to their working position by gaining extra space for their free body movement. In this way they feel like they are in an excavator, all the controls are within their easy reach and thus are comfortable while working.

### Automatic return to dig system

The 888 provides you with automatic return to dig system as standard to get max efficiency with reduced cycle times by leveling the loader bucket back to dig position with a pull of loader joystick





## Roomy ROPS/FOPS Cab

Specially designed ROPS/FOPS Cab provides perfect operating comfort, excellent visibility with tinted safety glass. Front and side control panels are all equipped with the latest technology and guides the operator to failures with the audible and visual warnings on main functions.

## A well designed dash within reach

Sitting in the driver's seat is a lot like sitting in a automobile. The tiltable front dash provides all switches and controls to be closer to the driver. There's no stretching, so there's less fatigue. On right side dash, a large, easy-to-read, standard operator display features a maintenance indicator, hour meter, fuel level gauge, engine oil temperature gauge, engine rpm to name a few.

## Steering Column

The steering column can be adjusted to an infinite amount of positions for maximum comfort, increased belly room and improved visibility of all indicators by simply pressing the quick-release foot pedal.

## Dash Finishes

The dash comes nicely appointed in two finishes.

## Easy Cab Entry

Sculpted, self-cleaning steps and a full-size grab bar provide an extra measure of safety getting in and out of the cab. Partial opening of cab doors



CE marked - All safety measurements are taken through the Machinery Directives 2006/42/EC



## Serviceability

### Three-pieces engine hood

Aerodynamic hood design provides operator to access all the necessary maintenance points easily and quickly thus spending less time and effort.

### Bolt type cylinder heads

For maintenance and repair Cukurova 888 model Backhoe Loaders supply a lot of noteworthy benefits for the operator. Bolt type cylinder head assembly for cylinders provides quick replacement of cylinder seal kit during the overhaul of the machine keeping the spare parts cost at minimum.

### Sealed pins and bushing

Sealed pins and bushings extend the life time of the linkages of the attachments by preventing the entry of dust or blockages and increases the time between service periods.



## Engine

- Heavy duty desing, high torque capability,powerful PERKINS engine.
- Impressive low speed torque to deliver improved machine response.
- ECC filtration system provides high quality construction with a re-usable canister, a disposable inner element and a simpler service process.
- Low fuel consumption and low maintenance cost.
- Environmental
- Dry type air cleaner with primary and safety elements.

## Engine

Make	Perkins		
	Stage-II	Stage-III A	Stage-IV
Model	1104C-44T	1104D-44TA	1204F-E44TA
Type	4 stroke diesel, turbo charged		
Rated power	100 hp / 74,5 kW		
Rated Speed	2200rpm		
Displacement	4,4 L.		
Bore and Stroke	105 x 127 mm		
No of Cylinders	4		
Max. Torque	408 Nm	410 Nm	450 Nm
Cooling	Water cooled engine oil radiator		

## Electrical system

Battery	12V / 120 Ah		
Starter	3,2 kW	3,2 kW	4,0 kW

## Drive Train

### Transmission:

Make	Carraro		
Type	Automatic Powershift		
Transmission disconnect	With push button and brake system		

### Travel Speeds

1st (forward/reverse)	5,80 / 5,80 km/h
2nd (forward/reverse)	9,60 / 9,60 km/h
3rd (forward/reverse)	21,20 / 21,20 km/h
4th (forward/reverse)	40,00 / 40,00 km/h



## Axles:

- 4WD is engaged by the switch on front instrument panel.
- 4WD can be engaged in all applications; load and carry, roading, in any gear forward or reverse.
- 52° degrees steering angle for perfect maneuverability.
- Outbord planetary reduction gears.
- Electro-hydraulic operated differential %100 locking acts an rear axle.
- 16° total oscillation on front axle.



## Hydraulic System

- Hydraulic speed control system.
- Bolt type cylinder desing with all sealed pins and bushings for easy maintenance and long life
- Cushioned Swing and Boom Provides Maximum opertor comfort for fast and smooth trenching

System type	Open center
Hydraulic pump	Tandem gear
Max. Flow	90 + 64 l/min
Max. Press.	220 bar
Hydraulic oil filter	Full flow filter in return line with integrated fine filter area
Hydraulic oil cooler	Hydraulic and transmission oil cooler

## Hydraulic Controls

Backhoe controls	Hydraulic joystick controls
Loader control	Hydraulic joystick control

## Brakes:

- Hydraulically foot operated service brake two pedals acted on four wheels.

Service type	Hydraulic wet multi-disc
Parking type	Mechanical control on rear axle

## Steering

Electrical controlled 3 different steering modes

- A. 2-wheel front steering for road drive
- B. 4-wheel steering for tight turns
- C. 4-wheel “crab” steering for close - to wall digging and ditch closing



SteeringType	2 Wheel, 4 Wheel, Crab Steering
Power Steering	Hydrostatic

Turning Circle (without brakes)	4x4 mod	4x4x4 mod
Out Front Tire Clearance	15600 mm	11400 mm
Out Loader Bucket Clearance	17000 mm	9485 mm

## Backhoe Attachment

Max. Bucket Tearout Retract	59,1 kN
<b>Dipper Tearout</b>	
Retracted	31,8 kN
Extended	22,4 kN

## Loader Attachment

Shovel Capacity	1,1 m <sup>3</sup>
Breakout Force Lift	56,1kN
Breakout Force Shovel Max	81,6 kN
Shovel Width	2400 mm
Lift to full height	3178 kg

## Tyres

Front 4WD	16,9 -28
Rear 4WD	16,9-28

## Weights

Operating Weight	8700-9750 kg
------------------	--------------

## Cab

- Specially designed ROPS/FOPS cab provides perfect operating comfort, excellent visibility, and reliability.
- Full-opening of rear side windows, partial and full-opening of the doors provide superior fresh air circulation in the cab, tinted safety glass improves visibility and sun visor protects operator against strong sunlight and ensures clear vision.
- Seat; adjustable to operator s weight.
- Front and side control panels are fully equipped with the latest technology, the arrangement of controls are within easy reach, the audible and visual warning on main function guide operator for failure and adjustable steering column as standard gives extra driving comfort to the operator.

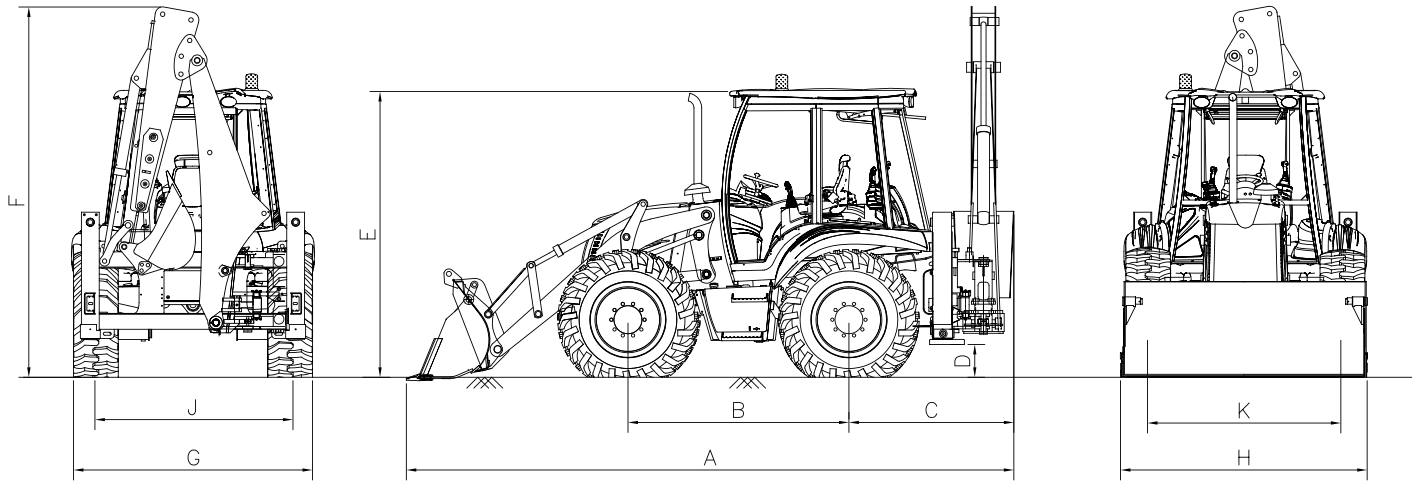
## Capacities

	Liters
Engine Oil	8,4
Cooling System	25,0
Fuel Tank	140,0
Hydraulic Tank	75,0
Hydraulic System	130,0
Front Axle	11,5
Rear Axle	16,0
Transmission Oil	19,0

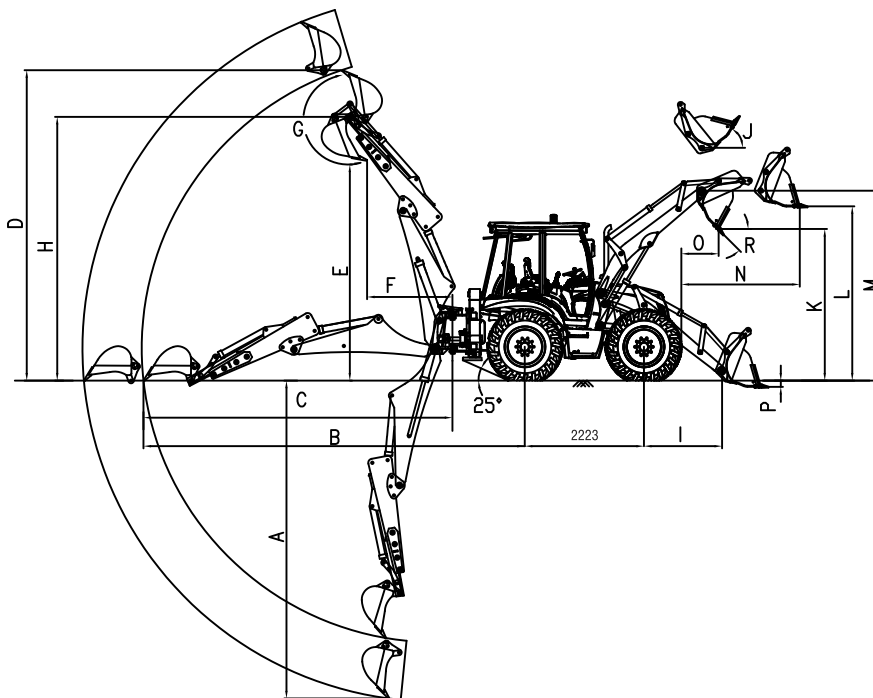




# TECHNICAL SPECIFICATIONS



A- Overall Machine Length	6375 mm	F - Machine Maximum Height	3880 mm
B- Wheelbase	2223 mm	G- Machine Maximum width	2400 mm
C- Backhoe Swing Centre Distance	1355 mm	H- Overall Width - with Bucket	2400mm
D- Minimum Machine Height	385 mm	J - Rear Wheel Track	1950 mm
E- Cab Height	2930 mm	K - Front Wheel Track	1950 mm



## Backhoe Dimensions

	Retracted	Extended
A - Max. Digging Depth	4600 mm	5800 mm
B - Max. Reach From Rear Axle Center	7000 mm	8100 mm
C - Max. Reach From Swing Center	5700 mm	6800 mm
D - Max. Digging Height	5600 mm	6450 mm
E - Max. Dumping Height	3850 mm	4700 mm
F - Loading Reach	1800 mm	2650 mm
G - Bucket Rotation Angle	200.4°	200.4°
H - Max. Bucket Hinge pin Height	4750 mm	5550 mm

## Loader Dimensions

I - Distance Between Hinge Pin and Front Axle Center	1550 mm
J - Max. Rollback angle, fully raised	59.2°
K - Dump Height	2865 mm
L - Loadover Height	3450 mm
M - Height to Hinge Pin	3590 mm
N - Max. Reach at Full Height	1620 mm
O - Dumping Reach	595 mm
P - Digging Depth	117 mm
R - Dump Angle	45°



## Standard Equipment

### Engine System

- Air cleaner, dry type and radial seal
- Air filter condition indicator lamp
- Starting system thermal aid
- Turbocharged

### Electrical System

- Alarm, backup
- Battery, 12 V, 120 Ah
- Front headlights
- Master switch
- Visual and audible warning systems on main functions
- Warning horn

### Drive Train

- Electro-hydraulic differential lock
- Front axle, 4WD pendulum mount
- 40 kph gearbox
- Transmission neutralizer switch

### ROPS/FOPS Cab

- Adjustable seat with seat belt and armrest
- Adjustable steering column
- Cab recirculating fan
- Cigarette lighter
- Front windshield washer and wiper
- Fully equipped instrument panel
- Front mudguards

- Heater
- Mirrors, exterior (2), interior (1)
- Left-right side doors with locks
- Rear windshield wipers
- Rotating beacon (detachable)
- Steering wheel spinner knob
- Storage compartment
- Sunvisor
- Tinted glass
- Tool box, external
- Ventilation openers
- Working lights, 2 rear and 4 front

- Illustrations and data may differ from standard equipment.  
- Specifications are subject to change without notice.  
- See your CUKUROVA dealer for available options.



## Optional Equipment

### Attachments, Front Loader

- Automatic return to dig
- Float Position
- General purpose bucket
- Hydraulic operated joystick control
- Loader arm safety strut

### Attachments, Backhoe

- Adjustable backhoe joystick columns
- Electro-hydraulic side shifting lock
- Hydraulic operated joystick controls
- Swing and Boom transport lock with mechanical control from the cab
- Standard-duty bucket (600 mm)
- Stabilizer safety check valves

### Attachments, Front Loader

- Bolton segment
- (EHSS) Electro Hydraulic Suspension System
- Fork attachment
- Loader quick coupler
- Multipurpose bucket
- Safety check valves
- Snow plough

### Attachments, Backhoe

- Auger
- Backhoe quick coupler
- Compactor
- Different size of backhoe buckets
- Grading buckets
- Grapple

- Hydraulic hammer piping
- Hydraulic hammer
- Ripper Tooth
- Safety check valves
- Telescopic boom
- Trapezoidal bucket

### Other,

- Air condition
- Air pre-cleaner
- Engine Tier III
- Fuel Pre-Heater
- Variable displacement axial piston pump, closed center hydraulic system
- 4WD shaft guard
- 3<sup>rd</sup> Fuel filter



With a keen awareness of its international positioning, as a pre-requisite of success and growth in a truly global era, Cukurova Makina manages collaborations with leading international partners in Turkey and abroad aiming at long-term benefit of our customers, business partners and staff. These cooperative efforts aim to achieve the highest quality of products and service delivery by Cukurova Makina where it has presence in global.

**Notes:**

- 1 -The products in this catalouge are CE marked, all safety measurements are taken through the Machinery Directives 2006/42/EC
- 2- Illustrations and data may differ from standard equipment.
- 3- Specifications are subject to change without notice.
- 4- See your ÇUKUROVA dealer for available options.