

# ÇUKUROVA

Makina İmalat ve Ticaret A.Ş.

## 880S

### BACKHOE LOADERS



## **Powerful Engine**

Powering it with PERKINS turbocharged diesel engine which offers world-class performance and complies with all relevant environmental regulations. Its low fuel consumption and maintenance costs make the 880 even more attractive.

## **Drive Train**

Powershuttle gearbox with four forward and four reverse fully synchronized gears. Providing smooth shifting, hill climbing capability easy to operate. Electro-hydraulic selection of 2WD and 4WD can be done by a switch located on control panel.

## **Optimum Weight Distribution**

The new generation Cukurova Backhoe Loaders are designed to have Optimum Weight Distribution giving safe, stable steering on the highway and provides a solid digging platform.

## **Improved Performance**

The standard 600 mm backhoe bucket coupled with the compact, powerful backhoe, means higher cycle and maximum output.



CE marked - All safety measurements  
are taken through the  
Machinery Directives 2006/42/EC

# BE

# EE



# LE

## Features

## **Roomy ROPS/FOPS Cab**

Specially designed ROPS/FOPS cab provides perfect operating comfort, excellent visibility with tinted safety glass.

## **A well designed dash within reach**

Sitting in the driver's seat is a lot like sitting in a automobile. The tiltable front dash provides all switches and controls to be closer to the driver. There's no stretching, so there's less fatigue. On right side dash, a large, easy-to-read, standard operator display features a maintenance indicator, hour meter, fuel level gauge, engine oil temperature gauge, engine rpm to name a few.

## **Steering Column**

The steering column can be adjusted to an infinite amount of positions for maximum comfort, increased belly room and improved visibility of all indicators by simply pressing the quick-release foot pedal.

## **Dash Finishes**

The dash comes nicely appointed in two finishes.

## **Easy Cab Entry**

Sculpted, self-cleaning steps and a full-size grab bar provide an extra measure of safety getting in and out of the cab. Partial opening of cab doors.



### SERVICEABILITY

#### Three-pieces Engine Hood

Aerodynamic hood design provides operator to access all the necessary maintenance points easily and quickly thus spending less time and effort.

# FUTURE



Features



Make	Perkins			
	Stage II	Stage III A	Stage IV	Stage V
Model	1104C-44T	1104D-44TA	854F-E34TA	904J-E36TA
Type	4 stroke diesel, turbo charged			
Rated Power	100hp/74,5 kW	94hp/70,0kW	94hp/70,0kW	100hp/74,5 kW
Rated Speed	2200rpm	2300rpm	2200rpm	
Displacement	4,4 L.		3,4 L.	3,6 L.
Bore and Stroke	105x127 mm			98x120 mm
No of Cylinders	4			
Max. Torque	406 Nm	392 Nm	395 Nm	430 Nm
Cooling	Water cooled engine oil radiator.			

### Turning Circle(without brakes)

Outer Front Tire Clearance      7900 mm

Outer Loader Bucket Clearance      11400 mm

### Hydraulic System

• Cushioned Swing provides maximum operator comfort for fast and smooth trenching.

System Type	Open Center	Closed Center
Hydraulic Pump	Tandem Gear	Axial Piston Pump
Max. Flow	79+57 l/min - 90+64 l/min	
Max. Press.	220 bar	



## Engine

- Heavy duty desing, high torque capability, powerful PERKINS engine.
- Impressive low speed torque to deliver improved machine response.
- ECC filtration system provides high quality construction with a re-usable canister, a disposable inner element and a simpler service process.
- Low fuel consumption and low maintenance cost.
- Environmental
- Dry type air cleaner with primary and safety elements.

## Electrical System

Battery	12 / 120 V /Ah
Starter	3,2 kW

### Steering:

- Hydrostatic power steering.
- Load sensing system.

### Drive Train

- 4 Wheel drive
- Carraro powershuttle and autoshift transmission.
- Low noise and low internal speeds.

Make	Carraro
Type	Powershuttle - Autoshift
Transmission disconnect	With brake system

## Travel Speeds

1st (foward/reverse)	5,97/5,97 km/h
2nd (foward reverse)	9,55 / 9,55 km/h
3rd (foward/reverse)	21,29/21,29 km/h
4th (foward/reverse)	40,00 / 40,00 km/h

## Hydraulic System

Backhoe Controls	Mechanical control levers
Loader control	Mechanical control lever

### Axles:

#### Carraro Front Axle

- High input torque with outboard planetary design.
- Ease of operation with hydrostatic steering system even under.
- 16° total oscillation on front axle
- 52 degrees steering angle for perfect maneuverability.

#### Carraro Rear Axle

- High input torque with outboard planetary desing.
- Electro hydraulic operated differential %100 locking acts on rear axle.
- Self adjusting high torque internal wet multi disc service brake.



### Brakes:

- Internal with disc brakes.
- Foot operated hydraulically boosted service brake. Two pedals acted on four wheels.

Service Type	Hydraulic Wet Multi-disc
Parking Type	Mechanical control on rear axle
Loader Attachment	
Shovel Capacity	1,0 m <sup>3</sup>
Breakout Force Lift	60,5 kN
Breakout Force Shovel	67 kN
Shovel Width	2280 mm
Lift to full height	3500 kg

Backhoe Attachment	
Max. Bucket Tearout	44 kN
Dipper Tearout	30 kN
Bucket Capacity	0,2 m <sup>3</sup>
Bucket Width	600 mm

Tyres	
4WD	
Front	12,5 / 80-18
Rear	16,9-28

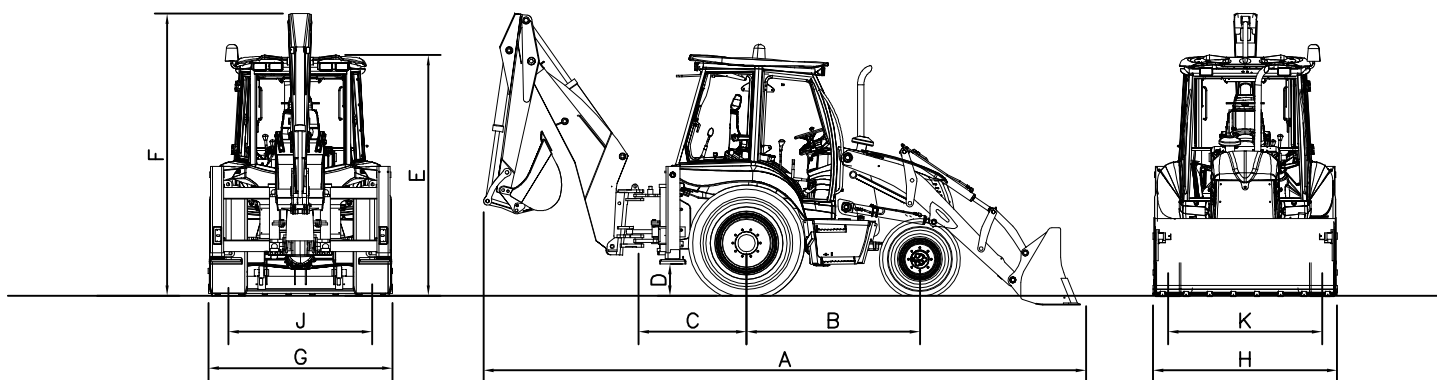
### Cab

- Specially designed ROPS/FOPS cab provides perfect operating comfort, excellent visibility, and reliability.
- Full-opening of rear side windows, partial and full-opening of the doors provide superior fresh air circulation in the cab, tinted safety glass improves visibility and sun visor protects operator against strong sunlight and ensures clear vision.
- Seat; adjustable to operator s weight.
- Front and side control panels are fully equipped with the latest technology, the arrangement of controls are within easy reach, the audible and visual warning on main function guide operator for failure and adjustable steering column as standard gives extra driving comfort to the operator.

Weights	
Operating Weight	6600-8500 kg

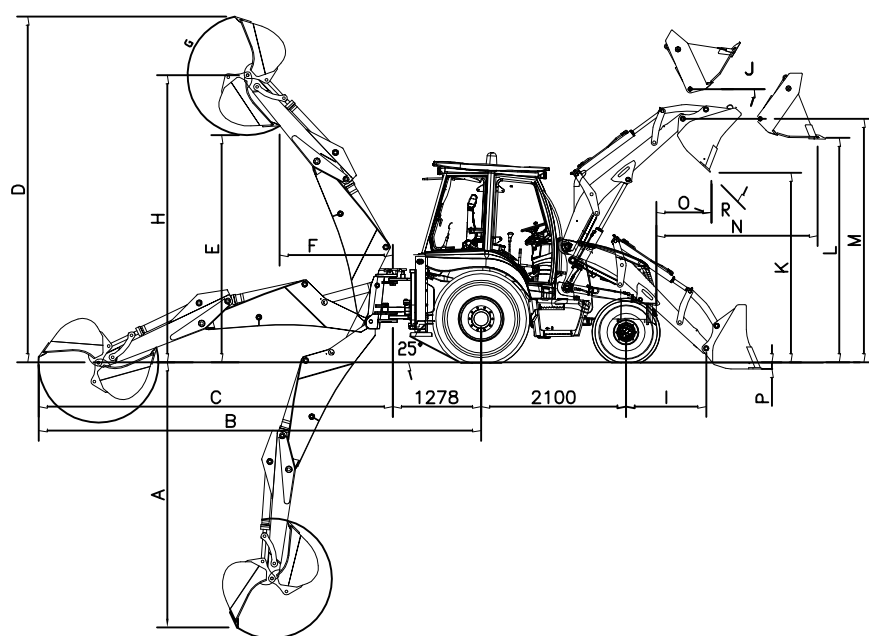
Capacities	Liters
Engine Oil	8,5
Cooling System	23,0
Fuel Tank	140,0
Hydraulic Tank	75,0
Hydraulic System	130,0
Front Axle	9,1
Rear Axle	19,9





A- Overall Machine Length	5710 mm
B- Wheelbase	2100 mm
C- Backhoe Swing Centre Distance	1278 mm
D- Minimum Machine Height	400 mm
E- Cab Height	2830 mm

F- Machine Maximum Height	3553 mm
G- Machine Maximum Width	2209 mm
H- Overall Width - with Bucket	2230 mm
J- Rear Wheel Track	1740 mm
K- Front Wheel Track	1870 mm



<b>Bachkoe Dimensions</b>	<b>Retracted</b>	<b>Extended</b>
A- Max. Digging Depth	4005 mm	4805 mm
A- Max. Digging ( optional )	4600 mm	5800 mm
B- Max. Reach From Rear Axle Center	6440 mm	7173 mm
C- Max. Reach From Swing Center	5162 mm	5895 mm
D- Max. Digging Height	5015 mm	5515 mm
E- Max. Dumping Height	3275 mm	3810 mm
F- Loading Reach	1750 mm	2372 mm
G- Bucket Rotation Angle	200°	200°
H- Max Bucket Hinge pin Height	4150 mm	4678 mm
<b>Loader Dimensions</b>		
I- Distance Between Hinge Pin and Frony Axle Center		1161 mm
J- Max. Rollback Angle, Fully Raised		64,25°
K- Dump Height		2764 mm
L- Loadover Height		3240 mm
M- Height to Hinge Pin		3540 mm
N- Max. Reach at Full Height		1200 mm
O- Dumping Reach		775 mm
P- Digging Depth		87 mm
R- Dump Angle		43°

- Illustrations and data may differ from standard equipment.
- Specifications are subject to change without notice.
- See your CUKUROVA dealer for available options.

### Engine System

- Air cleaner, dry type and radial seal
- Air filter condition indicator lamp
- Starting system thermal aid
- Turbocharged

### Electrical System

- Alarm, backup
- Battery, 12 V, 120 Ah
- Front headlights
- Master switch
- Visual and audible warning systems on main functions
- Warning horn

### Drive Train

- Electro-hydraulic differential lock
- 4 WD
- 40 kph Transmission

### ROPS/FOPS Cab

- Adjustable seat with seat belt and armrest
- Adjustable steering column
- Cab recirculating fan
- Cigarette lighter
- Front windshield washer and wiper
- Left-right side doors with locks
- Mirrors, exterior (2), interior (1)
- Rear windshield wipers
- Rotating beacon (detachable)
- Steering wheel spinner knob
- Sunvisor
- Tinted glass
- Tool box, external
- Ventilation openers
- Working lights, 2 front and 4 rear

### Attachments, Front Loader

- General purpose bucket
- Loader arm safety strut

### Attachments, Backhoe

- Electro-hydraulic side shifting lock
- ISO pattern controls
- Swing and Boom transport lock with mechanical control from the cab
- Standard-duty bucket(600mm)
- Stabilizer safety check valves



### **Optional Equipment Attachments, Front Loader**

- Bolton segment
- (EHSS) Electro Hydraulic Suspensions System
- Fork attachment
- Loader Quick Coupler
- Multipurpose bucket
- Safety check valves
- Snow Plough Attachments, Backhoe

### **Attachments, Backhoe**

- Auger
- Backhoe quick coupler
- Compactor
- Different size of backhoe buckets

- Grading bucket
- Grapple
- Hydraulic hammer piping
- Hydraulic hammer
- Safety check valves
- Trapeziodal Bucket
- Telescopic boom

### **OTHERS**

- Air pre-cleaner
- Air condition
- Fuel Pre-Heater
- Hyraulic system
- 3\* Fuel filter
- Axial Piston Pump
- Working lights 4 front and 4 rear
- Different Size Fuel Tanks
- Bigger Size Pump and Valves



# ÇUKUROVA

Makina İmalat ve Ticaret A.Ş.

**With a keen awareness of its international positioning, as a pre-requisite of success and growth in a truly global era, Cukurova Makina manages collaborations with leading international partners in Turkey and abroad aiming at long-term benefit of our customers, business partners and staff. These cooperative efforts aim to achieve the highest quality of products and service delivery by Cukurova Makina where it has presence in global.**

Sahin Mah. Sait Polat Blv. No:322 / ATarsus - Mersin / TURKIYE

Phone : 0090 324 616 26 78 Fax : 0090 324 616 32 20 E-mail : export@cumitas.com

Authorized Dealer

[www.cumitas.com](http://www.cumitas.com)

