

The background of the entire page is a grayscale photograph of industrial machinery, likely a lathe or mill, with various metal components, gears, and tool bits visible. The image is slightly blurred and has a soft, ethereal quality.

SKR

INDUSTRIAL TOOLS

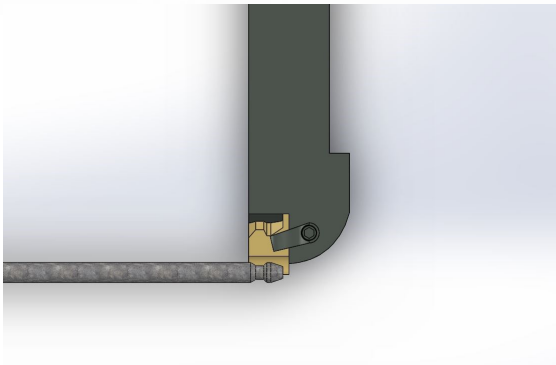
COMPANY PROFILE

- *ENGINEERING DESIGN*
- *TOOLING*
- *GRINDING*
- *MACHINING*
- *AUTOMATION*

SPECIAL CUTTING TOOLS



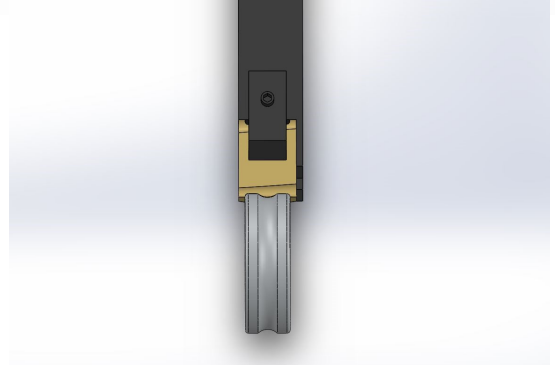
“DESIGN IN JAPAN”



“ONE STEP MATERIAL”

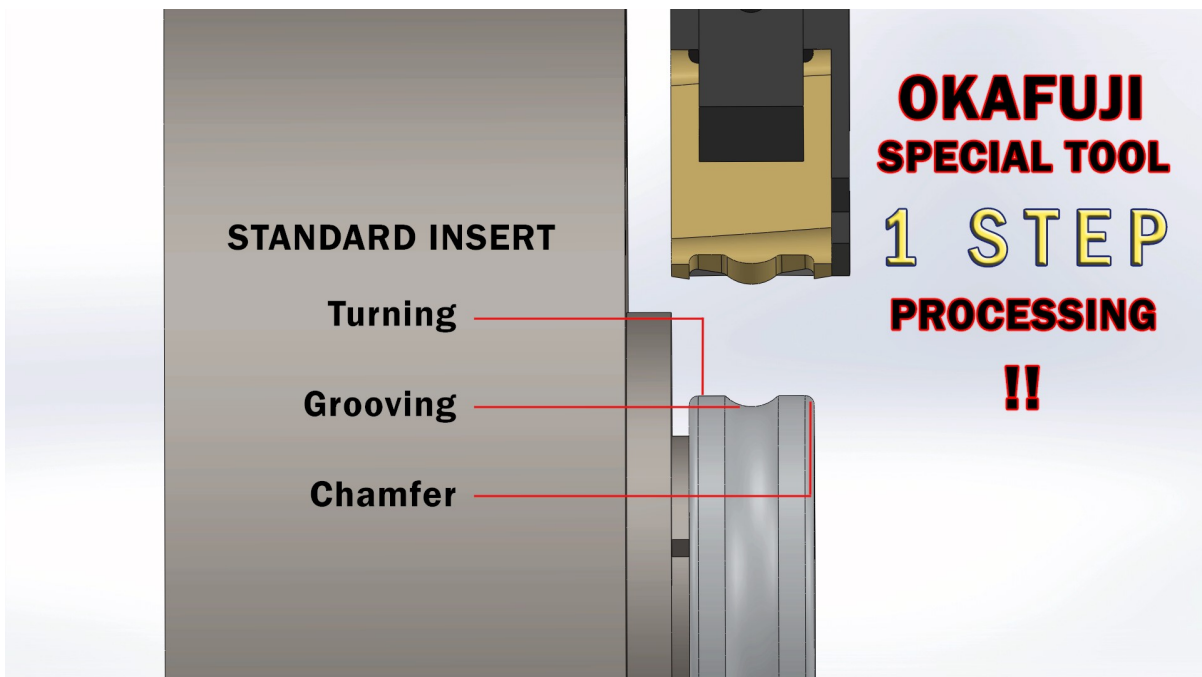
IMPROVEMENT COSTDOWN FOR CUSTOMER

TOO LIFE 20,000 PCS/INSERT



“FOR BEARING”

ONE STEP INTERNAL GROOVING



CUTTING TOOLS



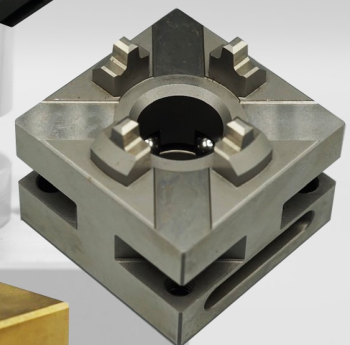
CUSTOM MADE PART

“ Customized components of various materials steel, stainless steel, carbide, aluminum, copper(pure, beryllium & tungsten), brass, ceramic etc. for molding, stamping, semi-conductor, automotive, medical and aerospace industries.”



WORK HOLDING SYSTEM

“ We specialize in precision work holding, Fixture and clamping tools for EDM, Wire EDM, CNC milling, Turning and Grinding machine, 8P is 100% compatible with EROWA and 3R system products. ”

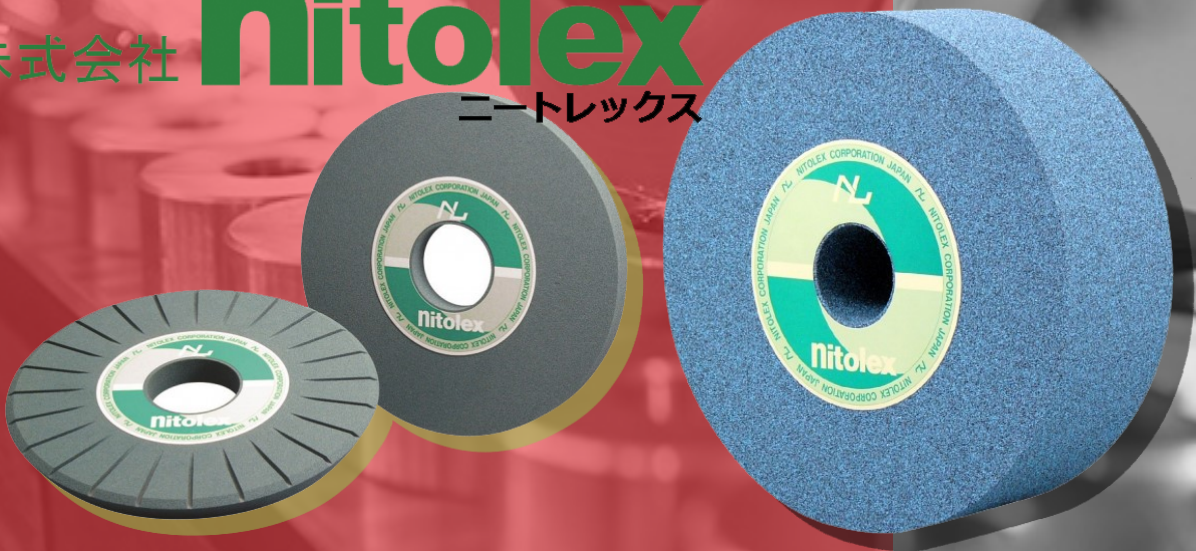


GRINDING

“OIL STONE, POLISHING STONE & DIAMOND PASTES”

“Our product have found the widest range of application in various industrial fields for their versatility, reliability and skilled workmanship”

株式会社 **nitolex**
ニートレックス



CHERRY (YAMATO SEITO)



MACHINE

CITIZEN

LOKUMA
OPEN POSSIBILITIES

TAKISAWA[®]

AMADA

TAKAMAZ

muratec[™]



CHIP CRUSHER

100 %

10 %



"BEFORE"



"AFTER"



MAINTENANCE AND OVERHAUL

We are able to overhaul conventional as well as machines of any build and year.

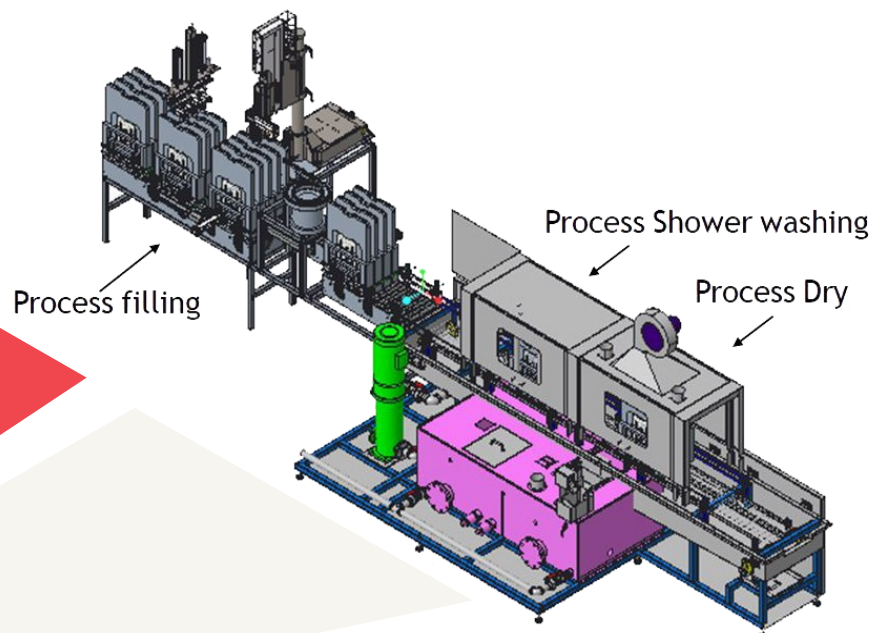


"BEFORE"

"AFTER"

SPECIAL MACHINE

"We are builds custom process machines. We are staffed to tackle the complex mechanical and controls engineering required to design and build a unique machine that performs as required, on time and on budget."

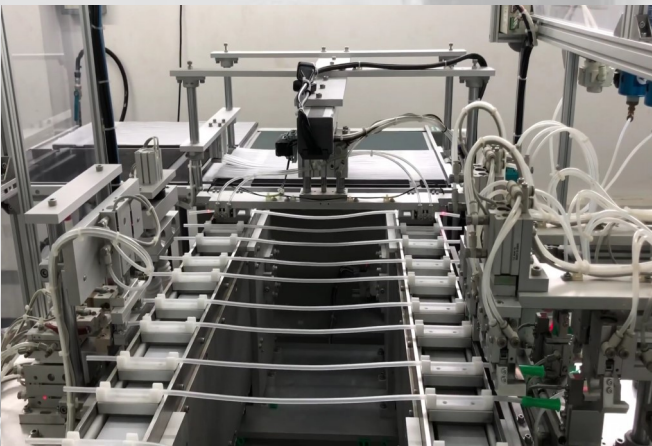


AUTOMATION SYSTEM

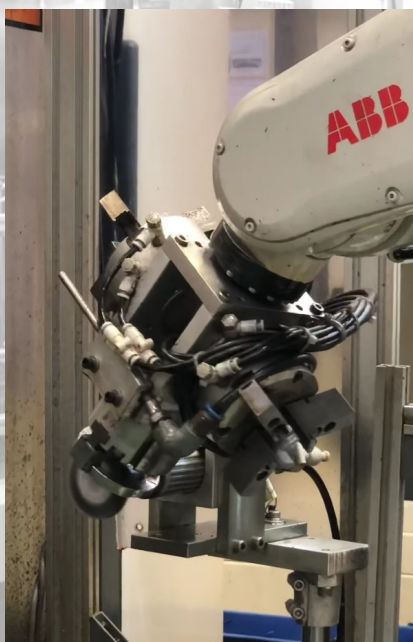
"1 ROBOT LOAD 6 STATIONS"



"SUCTION CATHETER ASSEMBLY MACHINE"



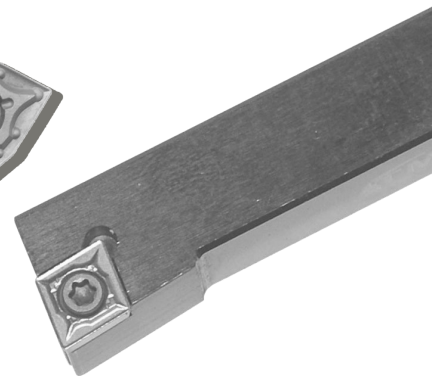
"DEBURRING ROBOT"




ABOUT OUR COMPANY

SKR was established in JUNE 2010 for the help of manufacture. Act as a go between for JAPAN and THAILAND, we will introduce a lot of Japanese Machine and Tools through the pilot store of Japan. And get on with technical innovated Thailand local companies, we intend to procure the local goods.

CUSTOMER



SKR INDUSTRIAL TOOLS CO.,LTD.

 21/278 SOI NUANLCHAN 50, NUANLCHAN,
BUANGKHUM, BANGKOK 10240

 E-Mail : sales.a1@skr-tools.co.th

 TEL : 02- 363-4095 FAX : 02- 363-4096

sales.a2@skr-tools.co.th