

The background of the entire page is a grayscale photograph of industrial machinery, likely a lathe or mill, with various metal components, gears, and tool bits visible. A large white diagonal shape is overlaid on the image, serving as a background for the text.

SKR

INDUSTRIAL TOOLS

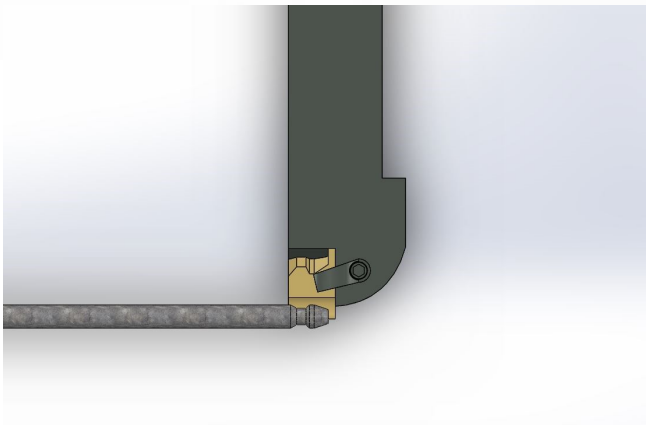
COMPANY PROFILE

- *ENGINEERING DESIGN*
- *TOOLING*
- *GRINDING*
- *MACHINING*
- *AUTOMATION*

SPECIAL CUTTING TOOLS



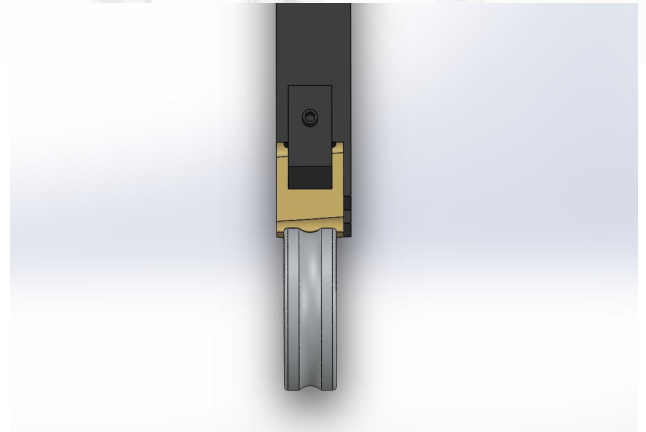
“DESIGN IN JAPAN”



“ONE STEP MATERIAL”

IMPROVEMENT COSTDOWN FOR CUSTOMER

TOO LIFE 20,000 PCS/INSERT



“FOR BEARING”

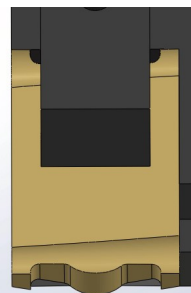
ONE STEP INTERNAL GROOVING

STANDARD INSERT

Turning

Grooving

Chamfer



**OKAFUJI
SPECIAL TOOL**

1 STEP

PROCESSING

!!

CUTTING TOOLS



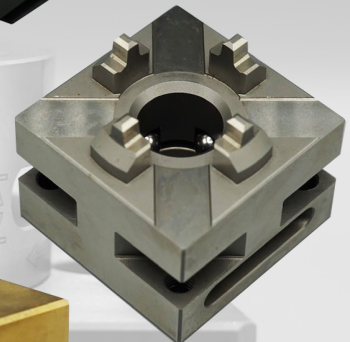
CUSTOM MADE PART

“ Customized components of various materials steel, stainless steel, carbide, aluminum, copper(pure, beryllium & tungsten), brass, ceramic etc. for molding, stamping, semi-conductor, automotive, medical and aerospace industries.”



WORK HOLDING SYSTEM

“ We specialize in precision work holding, Fixture and clamping tools for EDM, Wire EDM, CNC milling, Turning and Grinding machine, 8P is 100% compatible with EROWA and 3R system products. ”

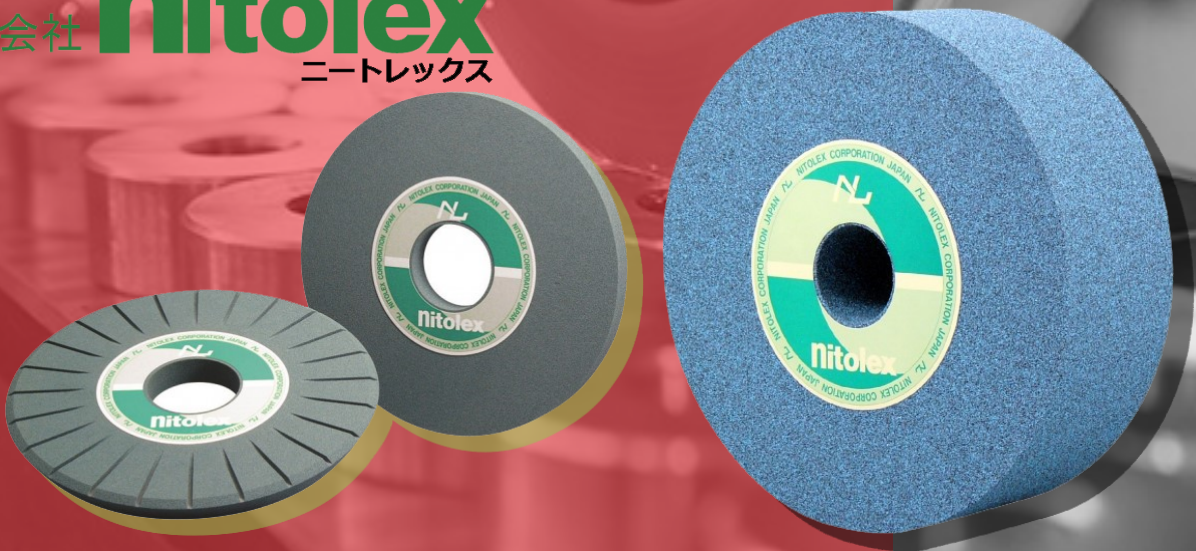


GRINDING

“OIL STONE, POLISHING STONE & DIAMOND PASTES”

“Our product have found the widest range of application in various industrial fields for their versatility, reliability and skilled workmanship”

株式会社 **Nitolex**
ニートレックス



CHERRY (YAMATO SEITO)



MACHINE

CITIZEN

LOKUMA
OPEN POSSIBILITIES

TAKISAWA[®]

AMADA

TAKAMAZ

muratec[™]



CHIP CRUSHER

100 %

10 %



"BEFORE"



"AFTER"



MAINTENANCE AND OVERHAUL

We are able to overhaul conventional as well as machines of any build and year.

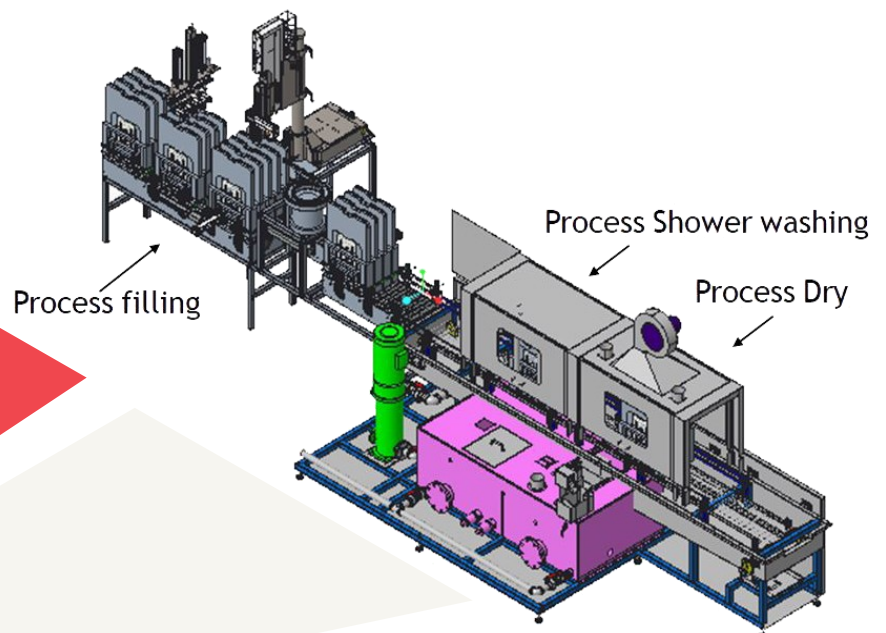


"BEFORE"

"AFTER"

SPECIAL MACHINE

"We are builds custom process machines. We are staffed to tackle the complex mechanical and controls engineering required to design and build a unique machine that performs as required, on time and on budget."



AUTOMATION SYSTEM

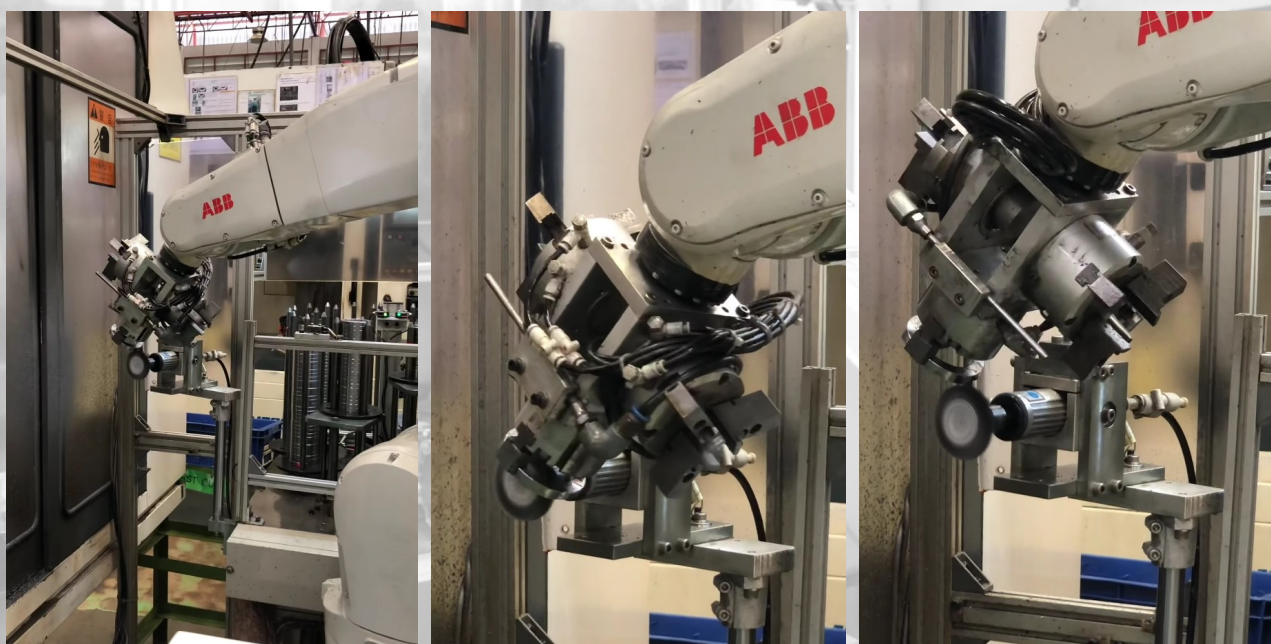
"1 ROBOT LOAD 6 STATIONS"



"SUCTION CATHETER ASSEMBLY MACHINE"



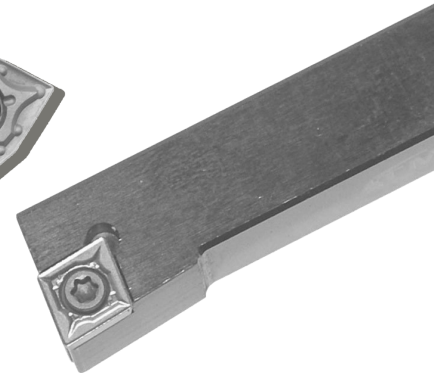
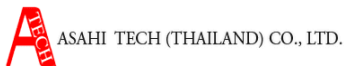
"DEBURRING ROBOT"



ABOUT OUR COMPANY

SKR Industrial Tools is a joint-venture between Japanese and Thai companies. The company handles products and services including tooling, machinery, service and automation. Our company has experiences in this field since 2010. And we will continue to provide our quality products and services with focus on customer's satisfaction and manufacturing supports.

CUSTOMER



SKR INDUSTRIAL TOOLS CO.,LTD.

 21/278 SOI NUANLCHAN 50, NUANLCHAN,
BUANGKHUM, BANGKOK 10240

 E-Mail : sales.a1@skr-tools.co.th

 TEL : 02- 363-4095 FAX : 02- 363-4096

sales.a2@skr-tools.co.th