

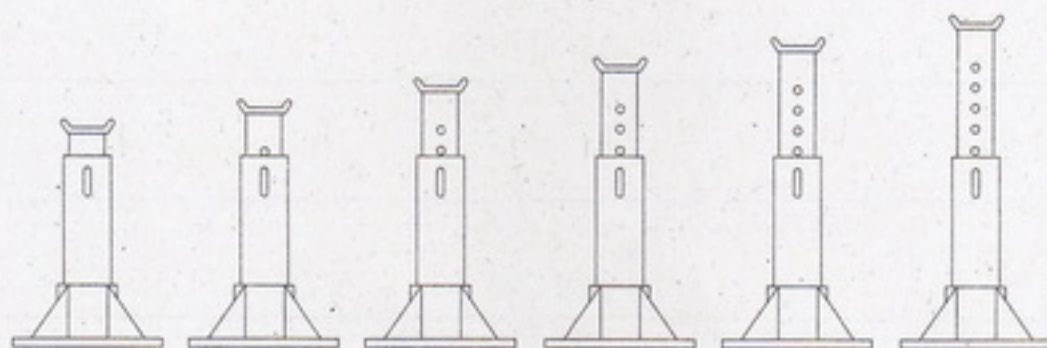
ขาตั้งรถยนต์ (วัสดุเป็นอลูมิเนียม)

Aluminum Ridgid Racks



MASADA JACK

- Used as light - weight rigid racks.
- Small size, light weight, and convenient to carry.
- Vehicles can be easily supported through using these racks together with the aluminium jack.



Specs.	Max. Usage Load	Min. Height	2-stage	3-stage	4-stage	5-stage	Max. Height	Socket	Gross mass
Model	(ton)	(mm)	(mm)	(mm)	(mm)	(mm)	(mm)	(mm)	(kg)
MR-2AL	2	260	285	310	335	360	385	56x50	2.1

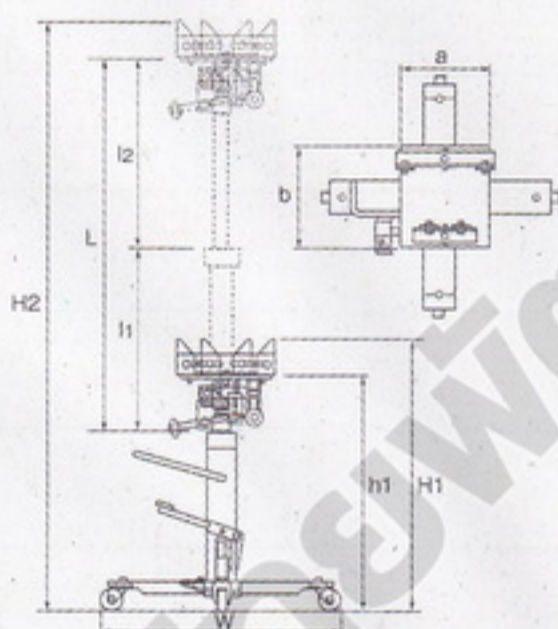
แม่แรงไฮดรอลิคยกเครื่องยนต์

Transmission Jack

- Used for transmission maintenance Work on light and ordinary passenger vehicles.
- The table plate can be inclined to 30° in the longitudinal direction and 15° in the lateral direction.
- Lifting and dropping can both be controlled by a step level, making it optimal for the loading and unloading of transmissions.



HTM-4S-3



Specs.	Max. Usage Load	H1 Total Height	L Total Lifting Height	I1 1 st Step	I2 2 nd Step	W Total Width	Gross mass
Model	kg	mm	mm	mm	mm	mm	kg
HTM-4S-3	450	1,013	920	435	485	845	63

	a x b Dimensions	h1 Min. Height	Total Lifting Height	H2 Max. Height	Forward Inclination	Rear Inclination	Left Inclination	Right Inclination
	(mm)	(mm)	(mm)	(mm)				
Table Plate	320x360	830	920	1,750	30°	15°	15°	15°

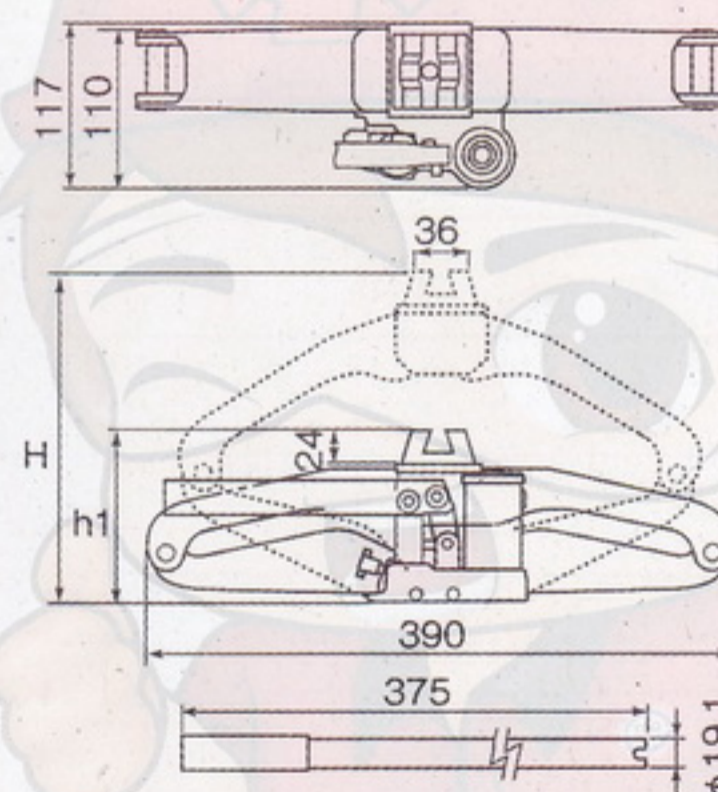
แม่แรงสะพานแบบไฮดรอลิค

Hydraulic Scissors Jacks with Plastic Case

- This is hydraulic Scissors jack useful tyre changes or attaching or removing chains.
- This is also used in race competitions.
- This jack is used by the JAF road service.



MSJ-850



Specs.	Max. Usage Load	h1 Min. Height	Lifting Height	H Max. Height	Handle Dimensions	Operating force	Gross mass
Model	(kg)	(mm)	(mm)	(mm)	(mm)	(N)	(kg)
MSJ-850	850	121	260	381	Ø19.1x375	274	5.9

