

## แม่แรงไฮดรอลิก รุ่นมาตรฐาน Standard Bottle Jacks



- Widely used in construction machinery, civil engineering work and as onboard vehicle jacks.
- These are a standard type of jack used throughout the world for vehicles, construction and industrial machinery, etc.
- They are also widely used in disaster prevention machinery, earthquake reconstruction, and for rental-lease equipment.
- These labor-saving devices can lift heavy loads with the smallest of hand operating forces.



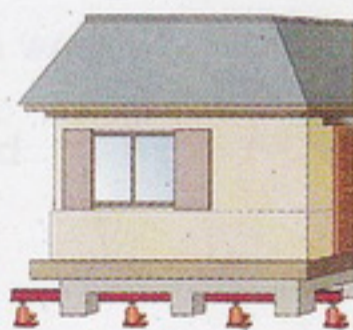
Specs. Model	Capacity KN (ton)	h Min. Height (mm)	h1 Lifting Height (mm)	h2 Extension Screw (mm)	H Max. Height (mm)	a Socket Dimensions (mm)	l x w Base Dimensions (mm)	Handle Dimensions (mm)	Operating Force (N)	No. of Operations	Required Oil (cc)	Gross mass (kg)
MS-2S	20 (2)	150	85	50	285	Ø 25	65x110	19.1x330	382	22	40	2.2
MS-2	20 (2)	180	115	50	345	Ø 25	65x110	Ø 19.1x330	382	33	72	2.4
MS-3	30 (3)	190	115	60	365	29x30	72x115	Ø 19.1x380	265	48	76	2.7
MN-4	40 (4)	190	115	70	375	33x34.5	76x131	Ø 21.7x545	265	85	127	4.0
MS-5Y	50 (5)	200	120	70	390	33x34.5	76x131	Ø 19.1x552	270	73	118	3.7
MH-7	70 (7)	200	120	70	390	38x40	90x151	Ø 21.7x605	294	72	195	5.6
MH-10	100 (10)	240	150	80	470	45x47	106x166	Ø 21.7x605	304	126	320	8.1
MH-15	150 (15)	265	165	80	510	51x53	118x180	Ø 21.7x605	304	195	505	10.5
MH-20	200 (20)	270	160	-	430	Ø 52	128x182	Ø 27.2x800	353	126	487	13.2
MH-30V-2	300 (30)	280	160	-	440	Ø 61	142x192	Ø 27.2x800	353	230	675	18.7
MH-50Y	500 (50)	305	170	-	475	Ø 80	188x237	Ø 27.2x1,000	353	276	1,340	37.0
MH-100Y	1,000 (100)	305	145	-	450	Ø 125	265x318	Ø 27.2x1,000	353	163	2,940	87.7

## แม่แรงไฮดรอลิก รุ่นตัวสั้น Low Profile Bottle Jacks

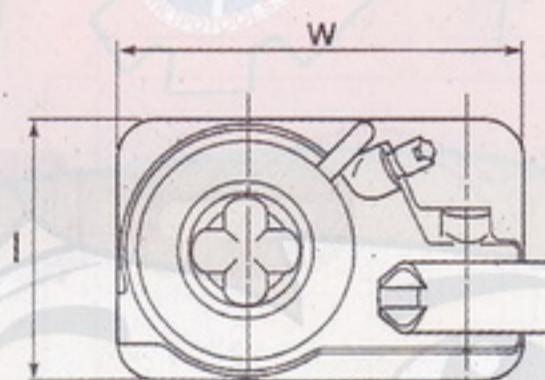
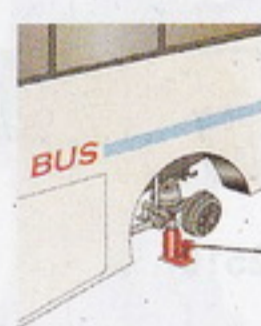


- These are jacks that facilitate usage in a low position.
- They are also widely used in disaster prevention machinery, earthquake reconstruction, and for rental-lease equipment.
- Jacking-up is possible from low positions into which standard jacks will not fit.

Usage examples  
Raising structures

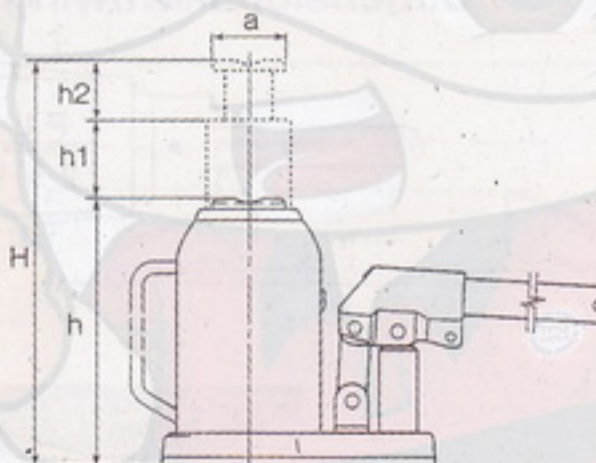
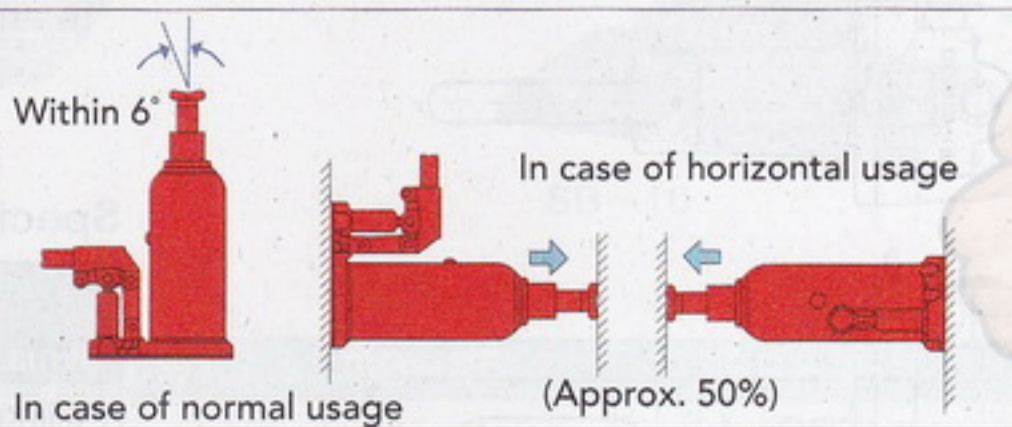


Servicing of large vehicles



Horizontal spec. model also available

Angle of inclination is within 6°. Range of lift is approximately 50% when used horizontally in connection with the oil level.



Specs. Model	Capacity KN (ton)	h. Min. Height (mm)	h1 Lifting Height (mm)	h2 Extension Screw (mm)	H Max. Height (mm)	a Socket Dimensions (mm)	l x w Base Dimensions (mm)	Handle Dimensions (mm)	Operating Force (N)	No. of Operations	Required Oil (cc)	Gross mass (kg)
MHB-10	100(10)	170	95	75	340	45x47	106x166	Ø 21.7x605	304	83	220	6.3
MHB-15	150(15)	170	90	70	330	51x53	118x180	Ø 21.7x605	304	109	290	7.9
MHB-20	200(20)	180	85	40	305	56.5x58	128x182	Ø 27.2x800	353	67	281	9.7
MHB-30Y	300(30)	180	80	-	260	Ø 61	142x192	Ø 27.2x800	353	96	380	13.5

