

# 8MP+8MP LightHunter Dual-lens Network PTZ Camera

IPC68188EFW-X25-F40G-VH



## Features

- Dual channels with one IP, look at overall situation and consider details at the same time
- Support dual-lens' video spliced in one channel, which can obtain a wider monitoring range
- Ultra 265, H.265, H.264, MJPEG
- Gyroscope stabilization for stable picture
- 25X optical zoom of PTZ channel allows for closer viewing of subjects
- Smart intrusion prevention, support false alarm filtering, include Cross Line, Intrusion, Enter Area, Leave Area detection
- People Counting, support people flow counting and crowd density monitoring, suitable for different statistical scenarios
- LightHunter technology ensures ultra-high image quality in low illumination environment
- IR & warm light illumination to deal with different scenes and achieve full-color illumination

- AC 24V  $\pm$  25% or DC 24V  $\pm$  25% power supply

## Specifications

Camera	Description
Sensor-Channel 1	1/1.8", 8MP, CMOS
Min. Illumination-Channel 1	Colour:0.0005 lux (F1.0, AGC ON) 0 lux with Warm light
Day/Night-Channel 1	N/A
Sensor-Channel 2	1/1.2", 8MP, CMOS
Min. Illumination-Channel 2	Colour:0.0005 lux (F1.6, AGC ON) 0 lux with IR
Day/Night-Channel 2	IR-cut filter with auto switch (ICR)
Shutter	Auto/Manual, 1 ~ 1/100000s
WDR	120dB
S/N	>56dB
Lens	Description
Lens Type-Channel 1	4mm@F1.0
Digital Zoom—Channel 1	N/A
Optical Zoom—Channel 1	N/A
Iris—Channel 1	Fixed aperture
Field of View (H)—Channel 1	92.9°
Field of View (V)—Channel 1	49.1°
Field of View (D)—Channel 1	114.3°
Lens Type-Channel 2	10~250mm@F1.6, AF automatic focusing and motorized zoom lens
Digital Zoom—Channel 2	16X
Optical Zoom—Channel 2	25X
Iris—Channel 2	Auto; F1.6(W)~F5.4(T)
Field of View (H)—Channel 2	58.3° ~ 3.0°
Field of View (V)—Channel 2	34.8° ~ 1.7°
Field of View (D)—Channel 2	71.7° ~ 3.6°

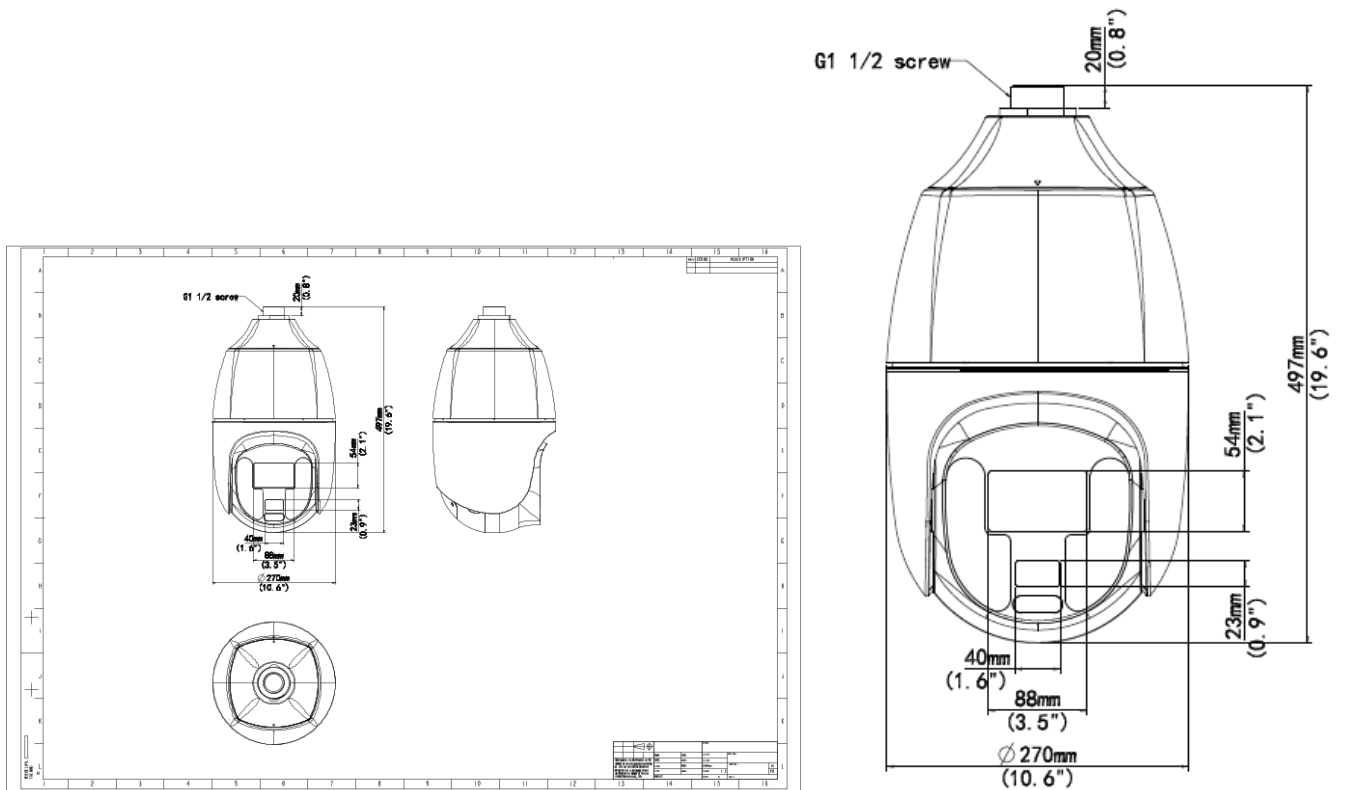
DORI	Description
DORI Distance (Lens) — Channel 1	4mm
DORI Distance (Detect) — Channel 1	62.1m(203.6ft)
DORI Distance (Observe) — Channel 1	24.8m(81.5ft)
DORI Distance (Recognize) — Channel 1	12.4m(40.7ft)
DORI Distance (Identify) — Channel 1	6.2m(20.4ft)
DORI Distance (Lens) — Channel 2	10~250(mm)
DORI Distance (Detect) — Channel 2	222.8m~4882.5m(730.8ft~16018.7ft)
DORI Distance (Observe) — Channel 2	89.1m~1953.0m(292.3ft~6407.5ft)
DORI Distance (Recognize) — Channel 2	44.6m~976.5m(146.2ft~3203.7ft)
DORI Distance (Identify) — Channel 2	22.3m~488.3m(73.1ft~1601.9ft)
Illuminator	Description
IR Range—Channel 1	N/A
Warm Light Range—Channel 1	30m
Wavelength—Channel 1	N/A
IR Range—Channel 2	250m
Warm Light Range—Channel 2	N/A
Wavelength—Channel 2	850 nm
Light On/Off Control	Auto/Manual
Video	Description
Privacy Mask	24 areas, up to 8 areas per scene
Video Compression	Ultra 265; H.265; H.264; MJPEG
Frame Rate	Main Stream: 8MP (3840*2160),Max 30fps Sub Stream: 1080P (1920*1080), Max 30fps

	Third Stream: D1 (720*576), Max 30fps
Video Bit Rate	128 Kbps ~ 16 Mbps
U-code	Support
ROI	Up to 8 areas
Video Stream	Triple Streams
OSD	Up to 10 OSDs
<b>Image</b>	<b>Description</b>
Defog—Channel 1	Digital Defog
Defog—Channel 2	Optical Defog; Digital Defog
White Balance	Auto; Outdoor; Fine Tune; Sodium Lamp; Locked; Auto2
Digital Noise Reduction	2D/3D DNR
Smart IR	Support
Flip	Normal; Flip Vertical; Flip Horizontal; 180°
HLC	Support
BLC	Support
Heatwave Reduction	Support
<b>Intelligent</b>	<b>Description</b>
Metadata Analyse	Support human body, , motor vehicle and non-motor vehicle image capture and attribute collection
People Counting	Support People Flow Counting and Crowd Density Monitoring
Smart Intrusion Prevention	Support False Alarm Filtering: Cross Line Detection, Intrusion Detection, Enter Area Detection, Leave Area Detection
<b>Events</b>	<b>Description</b>
Basic Detection	Motion Detection; Audio Detection; Tampering Alarm
General Function	Watermark; IP Address Filtering; Alarm Input; Alarm Output; Access Policy; ARP Protection; RTSP Authentication; User Authentication
<b>PTZ</b>	<b>Description</b>
Pan Range	360°
Pan Speed	0.1°/s ~ 180°/s
Tilt Range	-15° ~ 90°
Tilt Speed	0.1°/s ~ 180°/s
Number of Presets	1024

Preset Patrol	16 patrols, up to 64 presets for each patrol
Route Patrol	16 patrols, up to 32 actions for each patrol
Recorded Patrol	16 patrols, up to 128 actions for each patrol
Patrol Stay Time	15s ~ 1800s
Preset Image Freeze	Support
Home Position	Support
<b>Audio</b>	<b>Description</b>
Audio Compression	G.711U; G.711A
Audio Bitrate	128 Kbps
Two-way Audio	Support
Suppression	Support
Sampling Rate	16KHZ
<b>Storage</b>	<b>Description</b>
Edge Storage	Micro SD, up to 512 GB
Network Storage	ANR
<b>Network</b>	<b>Description</b>
Protocols	SSH; IGMP; RTP; RTCP; SMTP; IPv4; IPv6; ICMP; ARP; TCP; UDP; DHCP; PPPoE; RTSP; RTMP; DNS; DDNS; NTP; FTP; UPnP; HTTP; HTTPS; 802.1x; SNMP; QoS; SSL/TLS
Compatible Integration	ONVIF (Profile S, Profile G, Profile T, Profile M); API; SDK
User/Host	Up to 32 users. 3 user levels: administrator, common user and operator
Security	TLS1.3; Password Protection; Strong Password; HTTPS Encryption; Export Operation Logs; Basic and digest authentication for RTSP; Digest authentication for HTTP; TLS 1.2; WSSE and digest authentication for ONVIF
Client	EZStation; EZLive; EZView
Web Browser	Plug-in required live view: IE 10 and above, Chrome 45 and above, Firefox 52 and above, Edge 79 and above
<b>Interface</b>	<b>Description</b>
Video Output—Channel 1	N/A
Video Output—Channel 2	1 BNC
Audio I/O	1/1
Alarm I/O	7/2
Serial Port	1 * RS485

Built-in Mic	N/A
Built-in Speaker	N/A
WIFI	N/A
Network	1 x RJ45 10M/100M/1000M Base-TX Ethernet + 1 x 100M/1000M SFP
<b>Certification</b>	<b>Description</b>
EMC	CE-EMC (EN 55032: 2015+A1:2020,EN 61000-3-3: 2013+A1: 2019,EN IEC 61000-3-2: 2019+A1: 2021,EN 55035: 2017+A11:2020) FCC (FCC CFR 47 part15 B, ANSI C63.4-2014)
Safety	CE LVD (EN 62368-1:2014+A11:2017) UL (UL 62368-1, 2nd Ed., Issue Date: 2014-12-01)
Environment	CE-RoHS (2011/65/EU;(EU)2015/863)
Protection	IP66 (IEC 60529:1989+AMD1:1999+AMD2:2013)
<b>General</b>	<b>Description</b>
Power	DC24V (±25%), AC24V (±25%)
Power Consumption	MAX 63W
Power Interface	Wires with cold-pressed terminal
Dimensions	Ø 270 x 497mm(Ø 10.6" x 19.6")
Weight	10.08kg (22.2lb)
Working Environment	-40 °C ~ 70 °C (-40 °F ~ 158 °F), Humidity: ≤95% RH (non-condensing)
Storage Environment	-40 °C ~ 70 °C (-40 °F ~ 158 °F), Humidity: ≤95% RH (non-condensing)
Surge Protection	6KV
Reset Button	Support
Web Client Language	22 Languages Traditional Chinese, English, Simplified Chinese, Polish, German, Russian, French, Korean, Dutch, Czech, Portuguese (Europe), Portuguese (Brazil), Japanese, Thai, Turkish, Spanish (Latin America), Spanish (Europe), Hungarian, Italian, Vietnamese, Arabic, Slovak

# Dimensions



**Zhejiang Uniview Technologies Co., Ltd.**

No. 369, Xietong Road, Xixing Sub-district, Binjiang District, Hangzhou City, 310051, Zhejiang Province, China

Email: [overseasbusiness@uniview.com](mailto:overseasbusiness@uniview.com); [globalsupport@uniview.com](mailto:globalsupport@uniview.com)

<http://www.uniview.com>

©2023-2024 Zhejiang Uniview Technologies Co., Ltd. All rights reserved.

\*Product specifications and availability are subject to change without notice.

\*Despite our best efforts, technical or typographical errors may exist in this document. Uniview cannot be held responsible for any such errors and reserves the right to change the contents of this document without prior notice.