

8MP HD Intelligent ColorHunter Fixed Eyeball Network Camera

IPC3618SE-ADF28(40)KM-WL-I0



Features

- High quality image with 8MP, 1/2.8"CMOS sensor
- 8MP (3840*2160)@20fps; 5MP (3072*1728)@30/25fps; 4MP (2560*1440)@30/25fps; 2MP (1920*1080) @30/25fps
- Ultra 265, H.265, H.264, MJPEG
- Smart intrusion prevention, support false alarm filtering, include Cross Line, Intrusion, Enter Area, Leave Area detection
- Based on target classification, smart intrusion prevention significantly reduce false alarm caused by leaves, birds and lights etc., accurately focus on human and, motor vehicle and non-motor vehicle
- People Counting, support people flow counting and crowd density monitoring, suitable for different statistical scenarios
- 120dB true WDR technology enables clear image in strong light scene
- Support 9:16 Corridor Mode
- Built-in Mic
- Smart Illuminator, Up to 30m (98 ft) white light range

- Supports 512 G Micro SD card
- IP67 protection

Specifications

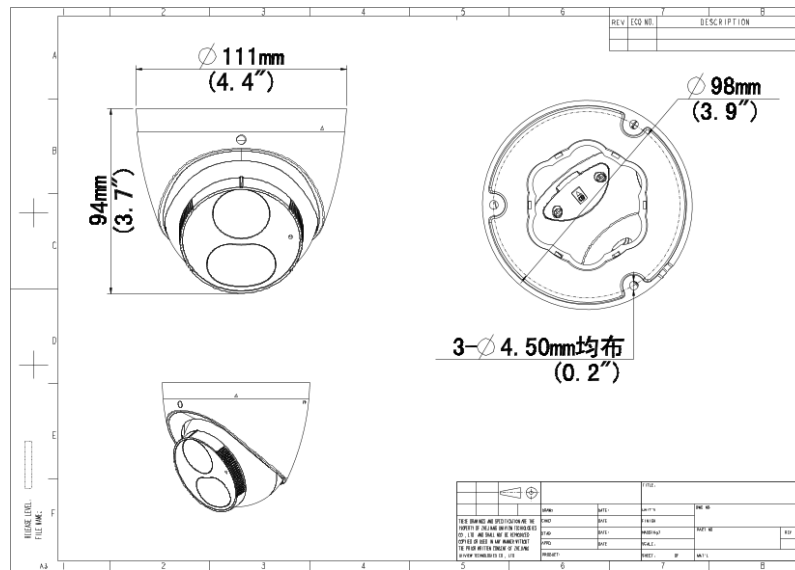
| Camera | Description |
|--------------------------|---|
| Max Resolution | 8MP |
| Sensor | 1/2.8" CMOS |
| Min. Illumination | Colour: 0.0005 lux (F1.0, AGC ON) |
| Shutter | Auto/Manual, 1 ~ 1/100000s |
| Adjustment Angle | Pan: 3° ~ 360°, Tilt: 0° ~ 80°, Rotate: 3° ~ 360° |
| S/N | >56dB |
| WDR | 120dB |
| Lens | Description |
| Focal Length | IPC3618SE-ADF28KM-WL-I0:2.8 mm IPC3618SE-ADF40KM-WL-I0:4.0 mm |
| Iris Type | Fixed |
| Iris | F1.0 |
| Field of View (H) | IPC3618SE-ADF28KM-WL-I0:106.7° IPC3618SE-ADF40KM-WL-I0:87.5° |
| Field of View (V) | IPC3618SE-ADF28KM-WL-I0:57.1° IPC3618SE-ADF40KM-WL-I0:46.3° |
| Field of View (D) | IPC3618SE-ADF28KM-WL-I0:115.7° IPC3618SE-ADF40KM-WL-I0:92.4° |
| DORI | Description |
| DORI Distance(Lens) | IPC3618SE-ADF28KM-WL-I0:2.8mm IPC3618SE-ADF40KM-WL-I0:4.0mm |
| DORI Distance(Detect) | IPC3618SE-ADF28KM-WL-I0:86.9m(285.1ft) IPC3618SE-ADF40KM-WL-I0:124.1m(407.2ft) |
| DORI Distance(Observe) | IPC3618SE-ADF28KM-WL-I0:34.8m(114.2ft) IPC3618SE-ADF40KM-WL-I0:49.7m(163.1ft) |
| DORI Distance(Recognize) | IPC3618SE-ADF28KM-WL-I0:17.4m(57.1ft) IPC3618SE-ADF40KM-WL-I0:24.8m(81.4ft) |

| | |
|------------------------------------|--|
| DORI Distance(Identify) | IPC3618SE-ADF28KM-WL-I0:8.7m(28.5ft) IPC3618SE-ADF40KM-WL-I0:12.4m(40.7ft) |
| Illuminator | Description |
| Supplemental Light | Warm Light |
| Illumination Distance(Warm Light) | 30 m (98.4 ft) |
| Light On/Off Control | Auto/Manual |
| Video | Description |
| Video Compression | Ultra 265; H.265; H.264; MJPEG |
| H.264 Code Profile | Baseline profile, Main profile, High profile |
| Frame Rate | Main Stream: 8MP (3840*2160), Max 20fps; 5MP (3072*1728), Max 30fps; 4MP (2560*1440), Max 30fps; 1080P (1920*1080), Max 30fps; Sub Stream: 1080P (1920*1080), Max 30fps;720P (1280*720), Max 30fps; D1 (720*576), Max 30fps; 640*360,Max 30fps; 2CIF(704*288), Max 30fps; CIF(352*288), Max 30fps; Third Stream: D1 (720*576), Max 30fps; 640*360,Max 30fps; 2CIF(704*288), Max 30fps; CIF(352*288), Max 30fps |
| Video Bit Rate | 128 Kbps ~ 16 Mbps |
| U-code | Support |
| OSD | Up to 8 OSDs |
| Privacy Mask | Up to 4 areas |
| ROI | Up to 8 areas |
| Video Stream | Triple Streams |
| Image | Description |
| White Balance | Auto; Outdoor; Fine Tune; Sodium Lamp; Locked; Auto2 |
| Smart Illumination | Support |
| Digital Noise Reduction | 2D/3D DNR |
| Flip | Normal; Flip Vertical; Flip Horizontal; 180°; 90°Clockwise; 90°Anti-clockwise |
| Dewarping | Support |
| HLC | Support |
| BLC | Support |
| Defog | Digital Defog |
| Intelligent | Description |
| Recognition | |

| | |
|----------------------------|--|
| Smart Intrusion Prevention | Support False Alarm Filtering: Cross Line Detection, Intrusion Detection, Enter Area Detection, Leave Area Detection |
| Statistical Analysis | People Counting; support people flow counting and crowd density monitoring |
| Events | Description |
| Basic Detection | Motion Detection; Ultra Motion Detection; Tampering Alarm; Audio Detection |
| General Function | Watermark; IP Address Filtering; Access Policy; ARP Protection; RTSP Authentication; User Authentication; HTTP Authentication |
| Audio | Description |
| Audio Compression | G.711U; G.711A |
| Audio Bitrate | 64 Kbps |
| Two-way Audio | N/A |
| Suppression | Support |
| Sampling Rate | 8KHZ |
| Storage | Description |
| Edge Storage | Micro SD, up to 512 GB |
| Network Storage | ANR; NAS (NFS) |
| Network | Description |
| Protocols | IPv4; IPv6; IGMP; ICMP; ARP; TCP; UDP; DHCP; PPPoE; RTP; RTSP; RTCP; RTMP; DNS; DDNS; NTP; FTP; UPnP; HTTP; HTTPS; SMTP; 802.1x; SNMP; QoS; SSL/TLS; SSH |
| Compatible Integration | ONVIF (Profile S, Profile G, Profile T, Profile M); API; SDK |
| User/Host | Up to 32 users, 2 user levels: administrator and common user |
| Security | Password Protection; Strong Password; HTTPS Encryption; Export Operation Logs; Basic and Digest Authentication for RTSP; Digest Authentication for HTTP; TLS 1.2; WSSE and Digest Authentication for ONVIF |
| Client | UNV-Link; UNV-Link Pro; EZStation |
| Web Browser | Plug-in required live view: IE 10 and above, Chrome 45 and above, Firefox 52 and above, Edge 79 and above; Plug-in free live view: Chrome 57.0 and above, Firefox 58.0 and above, Edge 16 and above |
| Interface | Description |
| Audio I/O | N/A |
| Alarm I/O | N/A |
| Serial Port | N/A |

| | |
|----------------------|---|
| Built-in Mic | Support |
| Built-in Speaker | N/A |
| WIFI | N/A |
| Network | 1 x RJ45 10M/100M Base-TX Ethernet |
| Video Output | N/A |
| Certification | Description |
| EMC | CE-EMC (EN 55032: 2015+A1:2020,EN 61000-3-3: 2013+A1: 2019,EN IEC 61000-3-2: 2019+A1: 2021,EN 55035: 2017+A11:2020) FCC (FCC CFR 47 part15 B, ANSI C63.4-2014) |
| Safety | CE LVD (EN 62368-1:2014+A11:2017) CB (IEC 62368-1:2014) UL (UL 62368-1, 2nd Ed., Issue Date: 2014-12-01) |
| Environment | CE-RoHS (2011/65/EU;(EU)2015/863); WEEE (2012/19/EU); Reach (Regulation (EC) No 1907/2006) |
| Protection | IP67 (IEC 60529:1989+AMD1:1999+AMD2:2013) |
| General | Description |
| Power | DC 12V±25%, PoE (IEEE 802.3af) Power consumption: Max 8.0W |
| Power Interface | Ø 5.5mm coaxial power plug |
| Dimensions | Φ111 x 95mm (Φ4.4" x 3.7") |
| Weight | 0.44kg (0.97lb) |
| Material | Metal |
| Working Environment | -30 °C ~ 60 °C (-22 °F ~ 140 °F), Humidity: ≤95% RH (non-condensing) |
| Storage Environment | -30 °C ~ 60 °C (-22 °F ~ 140 °F), Humidity: ≤95% RH (non-condensing) |
| Surge Protection | 4KV |
| Reset Button | N/A |
| Web Client Language | 20 Languages Traditional Chinese, English, Simplified Chinese, Polish, German, Russian, French, Korean, Dutch, Czech, Portuguese (Europe), Portuguese (Brazil), Japanese, Thai, Turkish, Spanish (Latin America), Spanish (Europe), Hungarian, Italian, Vietnamese |

Dimensions



Accessories

TR-JB03-G-IN

Junction Box for Mini Fix-dome(Support wiring from behind)

TR-JB07/WM03-G-IN

Wall Mounting Assembling Bracket For 32 Fix-dome&Mini Fix-dome&Plastic Turret Camera

TR-WM03-D-IN

Wall Mounting Bracket for 32 Fix-dome&Mini Fix-dome&Plastic Turret Camera



TR-UM06-E-IN

Slant Mounting Bracket for Fixed Dome

TR-A01-IN

NPT 3/4" Waterproof Cable Gland

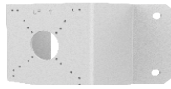
TR-UP06-IN

Universal Pole Mounting Bracket



TR-UC08-C

Bullet&Dome Corner Mounting Bracket



TR-SE24-IN

Dome Pendent Mounting Pole 200m



TR-SE24-A-IN

Dome Pendent Mounting Pole 500m



TR-CM24-IN

Dome Pendent Mounting Bracket(Indoor)



Zhejiang Uniview Technologies Co., Ltd.

No. 369, Xietong Road, Xixing Sub-district, Binjiang District, Hangzhou City, 310051, Zhejiang Province, China (Zhejiang) Pilot Free Trade Zone, China

Email: overseasbusiness@uniview.com; globalsupport@uniview.com

<http://www.uniview.com>

©2023-2024 Zhejiang Uniview Technologies Co., Ltd. All rights reserved.

*Product specifications and availability are subject to change without notice.

*Despite our best efforts, technical or typographical errors may exist in this document. Uniview cannot be held responsible for any such errors and reserves the right to change the contents of this document without prior notice.