

# 2MP LightHunter Active Deterrence Mini PTZ Camera

IPC6312LFW-AX5C-VG1



## Features

- High quality image with 2MP, 1/2.8" CMOS sensor
- Ultra 265, H.265, H.264, MJPEG
- Smart intrusion prevention, support false alarm filtering, include Cross Line, Intrusion, Enter Area, Leave Area detection
- LightHunter technology ensures ultra-high image quality in low illumination environment
- Up to 120 dB WDR (Wide Dynamic Range)
- Built-in Mic & Speaker
- Smart IR, Up to 50 m (164 ft) IR distance and 15m (49 ft) warm light distance
- Micro SD, up to 512GB
- IP66 protection
- DC12V or PoE (IEEE 802.3at) power supply

## Specifications

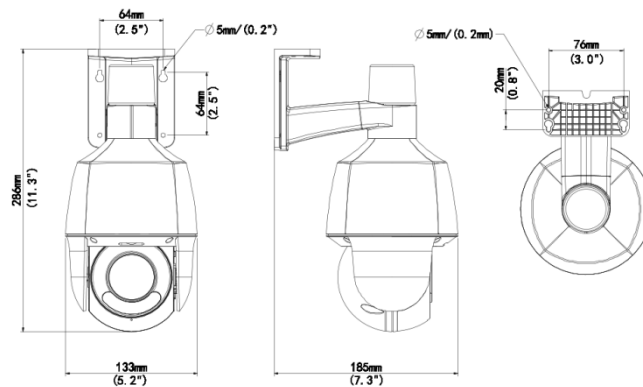
Camera	Description
Max Resolution	2MP
Sensor	1/2.8" CMOS
Min. Illumination	Colour: 0.002Lux (F1.6, AGC ON) 0Lux with IR on
Day/Night	IR-cut filter with auto switch (ICR)
WDR	120dB
Shutter	Auto/Manual, 1 ~ 1/100000s
S/N	>52dB
Lens	Description
Focal Length	2.7 ~ 13.5 mm
Iris	F1.6
Optical Zoom	5X
Field of View (H)	106.6°~31.5°
Field of View (V)	56.5°~16.9°
Field of View (D)	138.6°~38.7°
DORI	Description
DORI Distance(Detect)	49.7 m ~ 158.3 m (162.9 ft ~ 519.3 ft)
DORI Distance(Observe)	19.9 m ~ 63.3 m (65.2 ft ~ 207.7 ft)
DORI Distance(Recognize)	9.9 m ~ 31.7 m (32.6 ft ~ 103.9 ft)
DORI Distance(Identify)	5 m ~ 15.8 m (16.3 ft ~ 51.9 ft)
Illuminator	Description
Illumination Distance(Warm Light )	15 m (49.3 ft)
Illumination Distance(IR)	50 m (164.0 ft)
Wavelength	850 nm
Light On/Off Control	Auto/Manual
Video	Description
Privacy Mask	Up to 4 areas

Video Compression	Ultra 265; H.265; H.264; MJPEG
Frame Rate	Main Stream: 2MP (1920*1080), Max 30fps Sub Stream: 720P (1280*720), Max 30fps
Video Bit Rate	128 Kbps ~ 16 Mbps
U-code	Support
ROI	Support
Video Stream	Dual Streams
OSD	Up to 4 OSDs
<b>Image</b>	Description
Defog	Digital Defog
White Balance	Auto; Outdoor; Fine Tune; Sodium Lamp; Locked; Auto2
Digital Noise Reduction	2D/3D DNR
Smart IR	Support
Flip	Normal; Flip Vertical; Flip Horizontal; 180°
HLC	Support
BLC	Support
<b>Intelligent</b>	Description
Smart Intrusion Prevention	Support false alarm filtering: Cross line detection, Intrusion detection,
Auto Tracking	Support, target filtering: human only
<b>Events</b>	Description
Basic Detection	Motion Detection; Audio Detection; Tampering Alarm
General Function	Watermark; IP Address Filtering; Access Policy; ARP Protection; RTSP Authentication; User Authentication
<b>Audio</b>	Description
Audio Compression	G.711U; G.711A
Audio Bitrate	128 Kbps
Two-way Audio	Support
Suppression	Support
Sampling Rate	16KHZ
<b>Storage</b>	Description
Edge Storage	Micro SD, up to 512 GB
Network Storage	ANR; NAS (NFS)

Network	Description
Protocols	TLS1.3; SSH; IGMP; RTP; RTCP; SMTP; IPv4; IPv6; ICMP; ARP; TCP; UDP; DHCP; PPPoE; RTSP; RTMP; DNS; DDNS; NTP; FTP; UPnP; HTTP; HTTPS; 802.1x; SNMP; QoS; SSL/TLS
Compatible Integration	ONVIF (Profile S,Profile G,Profile T); API
Security	Password Protection; Strong Password; HTTPS Encryption; Export Operation Logs; Basic and Digest Authentication for RTSP; Digest Authentication for HTTP; TLS 1.2; WSSE and Digest Authentication for ONVIF
Client	EZStation; EZLive; EZView
Web Browser	Plug-in required live view: IE 10 and above,Chrome 45 and above,Firefox 52 and above,Edge 79 and above
PTZ	Description
Pan Range	0° ~ 345°
Pan Speed	1°/s~40°/s
Tilt Range	-10° ~ 100°
Tilt Speed	1°/s~30°/s
Number of Presets	1024
Preset Patrol	16 patrols, up to 64 presets for each patrol
Patrol Stay Time	120s ~ 1800s
Home Position	Support
Interface	Description
Audio I/O	1/1
Alarm I/O	1/1
Built-in Mic	Support
Built-in Speaker	Support
Network	1 x RJ45 10M/100M Base-TX Ethernet
Certification	Description
EMC	CE-EMC (EN 55032:2015, EN 50130-4:2011+A1:2014, EN 61000-3-2:2014, EN 61000-3-3:2013)FCC (FCC CFR 47 part15 B, ANSI C63.4-2014)
Safety	CE LVD (EN 62368-1:2014+A11:2017) UL (UL 62368-1, 2nd Ed., Issue Date: 2014-12-01)
Environment	CE-ROHS (2011/65/EU;(EU)2015/863)
Protection	IP66 (IEC 60529:1989+AMD1:1999+AMD2:2013)

General	Description
Power	DC12V(±25%), PoE(IEEE 802.3at)
Power Consumption	18W
Power Interface	Ø 5.5 mm coaxial power plug
Dimensions	Ø133 x 185 x 286 mm(5.2" x 7.3" x 11.3")
Weight	788g
Working Environment	-30 °C ~ 60 °C (-22 °F ~ 140 °F), Humidity: ≤95% RH (non-condensing)
Storage Environment	-40 °C ~ 70 °C (-40 °F ~ 158 °F), Humidity: ≤95% RH (non-condensing)
Surge Protection	2KV
Reset Button	Support
Web Client Language	22 Languages Traditional Chinese, English, Simplified Chinese, Polish, German, Russian, French, Korean, Dutch, Czech, Portuguese (Europe), Portuguese (Brazil), Japanese, Thai, Turkish, Spanish (Latin America), Spanish (Europe), Hungarian, Italian, Vietnamese, Arabic, Slovak

## Dimensions



### Zhejiang Uniview Technologies Co., Ltd.

No. 369, Xietong Road, Xixing Sub-district, Binjiang District, Hangzhou City, 310051, Zhejiang Province, China

Email: [overseasbusiness@uniview.com](mailto:overseasbusiness@uniview.com); [globalsupport@uniview.com](mailto:globalsupport@uniview.com)

<http://www.uniview.com>

©2024 Zhejiang Uniview Technologies Co., Ltd. All rights reserved.

\*Product specifications and availability are subject to change without notice.

\*Despite our best efforts, technical or typographical errors may exist in this document. Uniview cannot be held responsible for any such errors and reserves the right to change the contents of this document without prior notice.