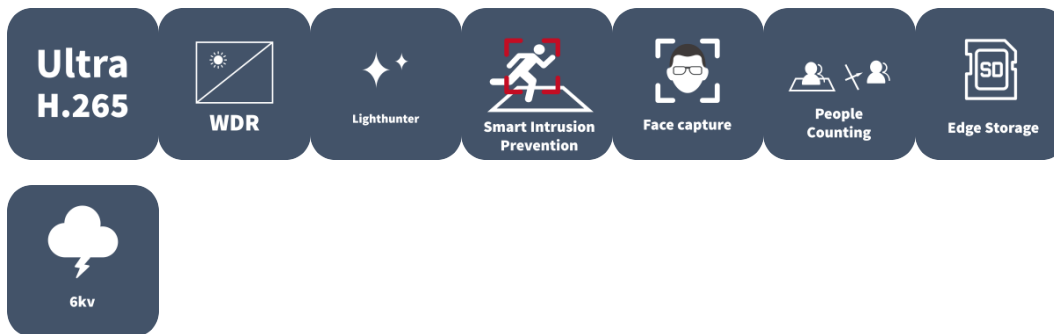


4MP LightHunter WDR Network Box Camera

IPC544SE-DK-I0



Features

- High quality image with 4MP, 1/1.8" CMOS sensor 2688*1520@30fps in the main stream
- Ultra 265, H.265, H.264, MJPEG
- Triple streams
- Smart intrusion prevention, support false alarm filtering, include Cross Line, Intrusion, Enter Area, Leave Area detection
- , automatic selection of best snapshots
- People Counting, support people flow counting and crowd density monitoring, suitable for different statistical scenarios
- LightHunter technology ensures ultra-high image quality in low illumination environment
- Up to 120 dB Optical WDR (Wide Dynamic Range)
- DC12V or AC24V or PoE (IEEE 802.3af) power supply
- Wide voltage range of $\pm 25\%$
- Audio 1 in and 1 out, Alarm 2 in and 1 out

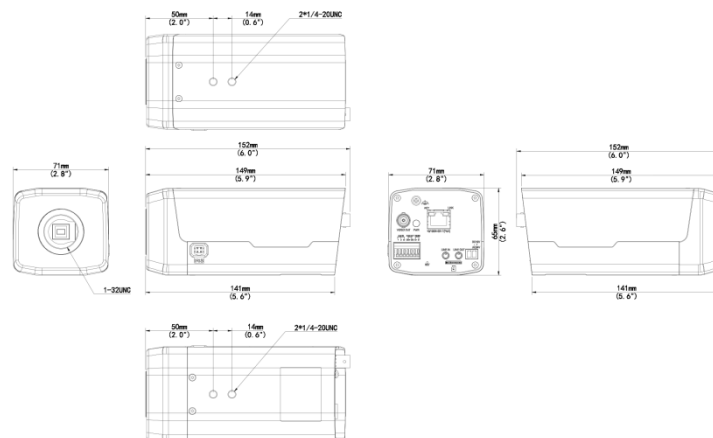
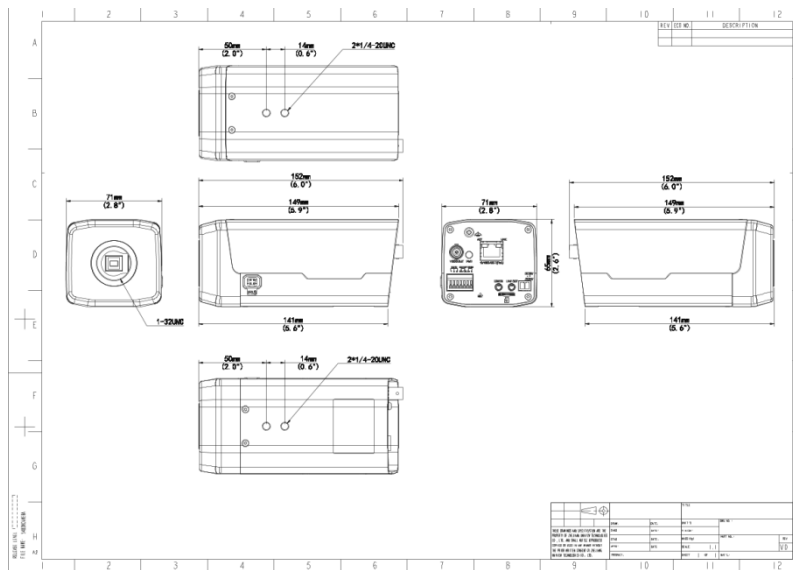
Specifications

Camera	Description
Sensor	1/1.8"CMOS
Min. Illumination	Colour:0.0005lux (F1.2, AGC ON) B/W: 0.0001Lux(F1.2, AGC ON)
Day/Night	IR-cut filter with auto switch (ICR)
Shutter	Auto/Manual, 1 ~ 1/100000s
WDR	120dB
S/N	>56dB
Lens	Description
Lens Mount	C/CS
Iris	F1.2
Video	Description
Video Compression	Ultra 265; H.265; H.264; MJPEG
Frame Rate—Main Stream	4MP (2688*1520), Max 30fps
Frame Rate—Sub Stream	720P (1280*720), Max 30fps
Frame Rate—Third Stream	D1 (720*576), Max 30fps
Video Bit Rate	128 Kbps~16 Mbps
U-code	Support
ROI	Up to 8 areas
Video stream	Triple streams
OSD	Up to 8 OSDs
Privacy Mask	Up to 4 areas
Image	Description
White Balance	Auto; Outdoor; Fine Tune; Sodium Lamp; Locked; Auto2
Digital noise reduction	2D/3D DNR
Flip	Normal; Flip Vertical; Flip Horizontal; 180°; 90°Clockwise; 90°Anti-clockwise
HLC	Support
BLC	Support
Defog	Digital Defog
Heatwave Reduction	N/A
Intelligent	Description
Smart intrusion prevention	Support false alarm filtering: Cross line detection, Intrusion detection, Enter area detection, Leave area detection
People Counting	Support people flow counting and crowd density monitoring
Exception Detection	Object Removed; Object Left Behind; Scene Change
Events	Description
Basic Detection	Motion detection; Tampering alarm; Audio detection
General Function	Watermark; IP Address Filtering; Access Policy; ARP Protection; RTSP Authentication;

	User Authentication; HTTP authentication; Alarm input; Alarm output
Audio	Description
Audio Compression	G.711U; G.711A
Audio Bitrate	128 Kbps
Two-way Audio	Support
Suppression	Support
Sampling Rate	16KHZ
Storage	Description
Edge Storage	Micro SD, up to 512 GB
Network Storage	ANR; NAS(NFS)
Network	Description
Protocols	SSH; IGMP; RTP; RTCP; SMTP; IPv4; IPv6; ICMP; ARP; TCP; UDP; DHCP; PPPoE; RTSP; RTMP; DNS; DDNS; NTP; FTP; UPnP; HTTP; HTTPS; 802.1x; SNMP; QoS; SSL/TLS
Compatible Integration	API; SDK; ONVIF (Profile S, Profile G, Profile T)
User/Host	Up to 32 users. 3 user levels: administrator, common user and operator
Security	TLS1.3; Password protection; Strong password; HTTPS encryption; Export operation logs; Basic and digest authentication for RTSP; Digest authentication for HTTP; TLS 1.2; WSSE and digest authentication for ONVIF
Client	UNV-Link; UNV-Link Pro; EZStation
Web Browser	Plug-in required live view: IE 10 and above, Chrome 45 and above, Firefox 52 and above, Edge 79 and above; Plug-in free live view: Chrome 57.0 and above, Firefox 58.0 and above, Edge 16 and above
Interface	Description
Audio I/O	1/1
Alarm I/O	2/1
Serial Port	1 channel RS485 interface
Network	1 * RJ45 10M/100M Base-TX Ethernet
Video Output	1 BNC
Certification	Description
EMC	CE-EMC (EN 55032: 2015+A1:2020,EN 61000-3-3: 2013+A1: 2019,EN IEC 61000-3-2: 2019+A1: 2021,EN 55035: 2017+A11:2020) FCC (FCC CFR 47 part15 B, ANSI C63.4-2014)
Safety	CE LVD (EN 62368-1:2014+A11:2017) UL (UL 62368-1, 2nd Ed., Issue Date: 2014-12-01)
Environment	CE-RoHS (2011/65/EU;(EU)2015/863); WEEE (2012/19/EU); Reach (Regulation (EC) No 1907/2006)
General	Description
Power	DC12V(±25%), AC24V(±25%), PoE(IEEE 802.3af)
Power Consumption	Max 8W
Power Interface	Two-core terminal block
Dimensions	152 x 71 x 65mm (6.0 “ x 2.8 “ x 2.6”) (excluding the lens)
Weight	0.38kg (0.84lb)

Working Environment	-20 °C ~ 60 °C (-4 °F ~ 140 °F), Humidity: ≤95% RH (non-condensing)
Storage Environment	-40 °C ~ 70 °C (-40 °F ~ 158 °F), Humidity: ≤95% RH (non-condensing)
Surge protection	6KV
Reset button	Support
Web Client Language	22 Languages Traditional Chinese, English, Simplified Chinese, Polish, German, Russian, French, Korean, Dutch, Czech, Portuguese (Europe), Portuguese (Brazil), Japanese, Thai, Turkish, Spanish (Latin America), Spanish (Europe), Hungarian, Italian, Vietnamese, Arabic, Slovak

Dimensions



Zhejiang Uniview Technologies Co., Ltd.

No. 369, Xietong Road, Xixing Sub-district, Binjiang District, Hangzhou City, 310051, Zhejiang Province, China

Email: overseasbusiness@uniview.com; globalsupport@uniview.com

<http://www.uniview.com>

©2023-2024 Zhejiang Uniview Technologies Co., Ltd. All rights reserved.

*Product specifications and availability are subject to change without notice.

*Despite our best efforts, technical or typographical errors may exist in this document. Uniview cannot be held responsible for any such errors and reserves the right to change the contents of this document without prior notice.