



TC-A35555 Spec:0/A/2.8-12mm/9-54mm/V2.0

5MP Color Maker AEW PTZ Camera

Pro Series



KEY FEATURES

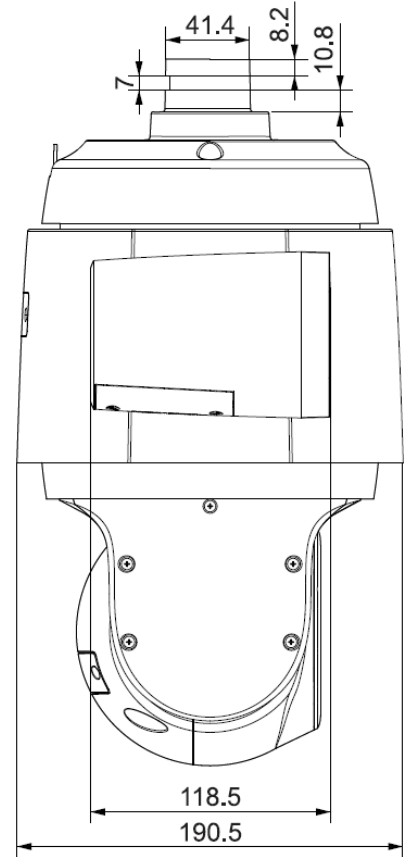
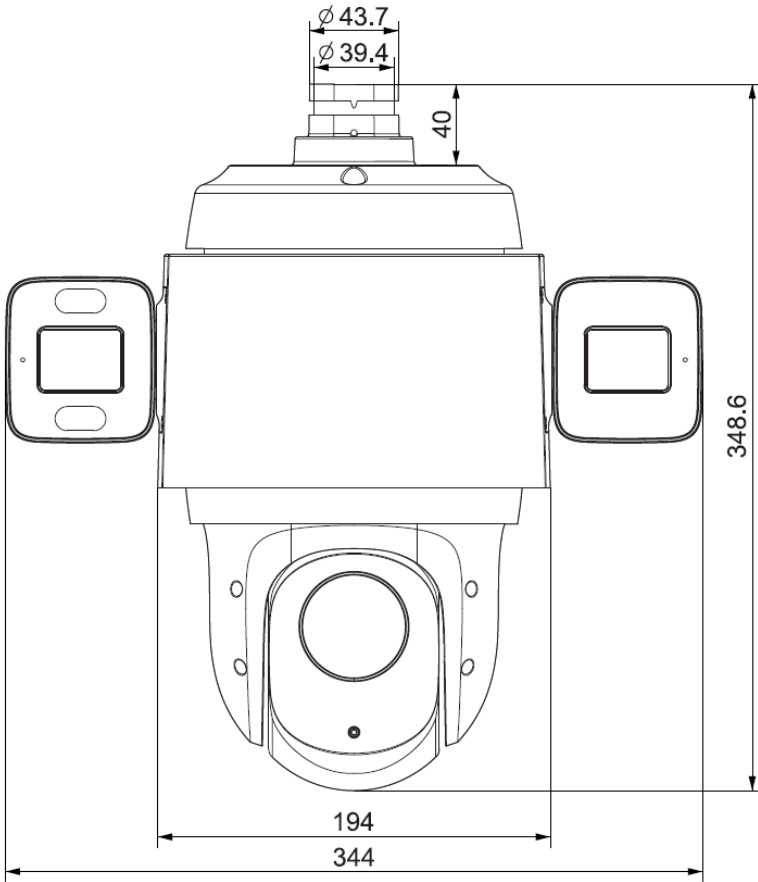
- Dual PTZ design
- 5MP varifocal PTZ-bullet for overall scenario and 5MP speed dome for detailed view
- Resolution up to 3072×1728@20fps
- Min. illumination Color: 0.0008Lux@F1.0 (PTZ-bullet)
- Optical zoom of PTZ-bullet: 4×, digital zoom 16×
- Optical zoom of speed dome: 6×, digital zoom 16×
- Smart IR, IR Range: 100m
- Support blue&red flash warning
- Built-in dual Mic& dual Speaker
- Built-in Electronic Compass
- Support video structure analysis
- S+265/H.265/H.264/M-JPEG
- Support Human/Vehicle Classification
- Plugin Free
- P66

SPECIFICATIONS

Camera	
Image Sensor	Panorama: 1/1.8" CMOS, Detail: 1/1.8" CMOS
Signal System	PAL/NTSC
Min. Illumination	Color: 0.0008Lux@ (F1.35, AGC ON), BW: 0lux with IR
Shutter Time	1s to 1/100,000s
Day & Night	IR Cut Filter with Auto Switch
Optical Zoom	Panorama: 4x; Detail: 6x
Digital Zoom	Detail: 16x
Lens	
Focal Length	Panorama: 2.8~12mm; Detail: 9~54mm
Zoom Speed	<3s
Field of View	Panorama: Horizontal: 84.8° (w)~49° (t), vertical: 49.3° (w)~27.6° (t) Detail: Horizontal: 42.3° (w)~32.1° (t), vertical: 24.3° (w)~18.4° (t)
Aperture Range	Panorama: F1.36~F2.0; Detail: F1.35~F1.55
Focus Control	Auto/Manual
Iris Control	Auto
Close Focus Distance	1 m~1.5 m
Pan&Tilt	
Pan Range	Panorama: 260°; Detail: 360°
Pan Speed	Panorama: Pan Manual Speed: 0.1°~100°/s, Pan Preset Speed: 100°/s Detail: Pan Manual Speed: 0.1°~180°/s, Pan Preset Speed: 300°/s
Tilt Range	Panorama: 0°~30°; Detail: -3°~90° (Auto flip)
Tilt Speed	Panorama: Tilt Manual Speed: 0.1°~15°/s, Tilt Preset Speed: 15°/s Detail: Tilt Manual Speed: 0.1°~100°/s, Tilt Preset Speed: 150°/s
3D Position	Yes
Preset	Panorama: 256; Detail: 500
Preset Accuracy	±0.4°
Cruise	16, up to 32 presets per cruise
Scan	8
Pattern	8, each with 600s memory or 1000 orders
Scheduled Task	Preset, Cruise, Scan, Pattern, Alarm output
Park Action	Yes
Power-off Memory	Yes
Preset Freezing	Yes
Illuminator	
IR LEDs	6
IR Distance	Up to 100m
IR Irradiation Angle	Adjustable by Zoom
White LEDs	4, up to 30m: support white/blue/red light flash
Laser	N/A
Laser Distance	N/A
Compression Standard	
Video Compression	S+265/H.265/H.264/M-JPEG
Video Bit Rate	32Kbps~16Mbps
Audio Compression	G.711A/G.711U/ADPCM_D/AAC_LC
Audio Sampling Rate	8kHz/32kHz/48kHz
Image	
Max. Resolution	5.0MP (3072x1728)
Main Stream	PAL: 20fps (3072x1728), 25fps (2560x1440, 2304x1296, 1920x1080, 1280x720, 640x480, 704x576) NTSC: 20fps (3072x1728), 30fps (2560x1440, 2304x1296, 1920x1080, 1280x720, 640x480, 704x480)
Sub Stream	PAL: 25fps (704x576, 704x288, 640x360, 352x288) NTSC: 30fps (704x480, 704x240, 640x360, 352x240)
Third Stream	PAL: 25fps (704x576, 704x288, 352x288) NTSC: 30fps (704x480, 704x240, 352x240)
BLC	Yes
HLC	Yes
WDR	True WDR

Image Stabilization	Yes
Fog	Digita
White Balance	Yes
AGC	Yes
Noise Reduction	2D/3D
ROI	7 Dynamic Areas for Both Main and Sub Stream, support 1 auto-tracking ROI
Picture Overlay	Yes
Privacy Mask	Yes
Smart Defog	Yes
Image Setting	Saturation, brightness, contrast, sharpness, adjustable by client software or web browser
Flip	Yes
OSD	16x16, 24x24,32x32, 48x48, 64x64, 96x96, 128x128, adaptable size, letters such as Week, Date, Time, Total 5 Region
Feature	
Alarm Trigger	Event Input, Event Output, Mask Alarm, Disk Full, Disk R/W Error, IP Address Conflict, MAC Address Conflict, FTP Server Exception
Video Analytics	Tripwire, Double Tripwire, Perimeter, Object Abandon, Object Lost, Loitering, Running, Parking, Heatmap, Crowd, People Counting, On Duty Detection, Video Abnormal, Audio Abnormal
Early Warning(EW)	Yes
Auto-Tracking	Yes
Face Detection and Analytics	
Operating Mode	Face capture, intelligent monitoring, Structured optional,
Face Detection Performance	Detects up to 32 faces at the same scene
Face Exposure Brightness	Default 35, 1~100 brightness optional
Min. Face Pixel	Default 60, 26~2560 optional
Network	
Protocols	TCP/UDP/HTTP/MULTICAST/UPnP/DHCP/PPPoE/DDNS/NFS/FTP/NTP/RTP/RTSP/IPv6/SNMP/SMP/RTMP/802.1X
System Compatibility	ONVIF (PROFILE S/T/G), SDK, CGI, P2P
ANR	Auto store video in SD card when NVR disconnected, and upload video to NVR when resumed connection (Only Support Tiandy ANR NVR)
Remote Connection	≤7
User/Host	Up to 32 users. 4 user levels
Web Version	web6
Interface	
Communication Interface	2 RJ45 100M/1000M self adaptive Ethernet port
Audio I/O	1/1,2Mic
Alarm I/O	3/2
Built-In Speaker	2
Reset Button	Yes
On-board storage	Built-in Micro SD card slot, up to 512 GB
RS-485	Yes
BNC	N/A
Wiper	N/A
Electronic Compass	Yes
GPS/BDS	Yes
General	
Protection	IP66 , TVS 6000V lightning protection, surge protection and voltage transient protection
Web Client Language	16 languages Simple Chinese/ Traditional Chinese/ English/ Spanish/ Korean/ Italian/ Turkish/ Russian/ Thai/ French/ Polish/ Dutch/ Hebraism/ Farsi/Arabic/ Vietnamese
Operating Conditions	-40°C~70°C (IR OFF), -40°C~40°C (IR ON), 0-95%RH
Power Supply	AC24V±15%, DC24V±10%
Power Consumption	Max: 57W
Heater	Yes
Material	ADC 12
Package/Boundary Dimensions	600mm(L)*490mm(W)*290mm(H) /191mm(L)*344mm(W)*350mm(H)
Gross/Net Weight	11.05 kg (7.2kg)

DIMENSIONS (Unit: mm)



Assembly diagram of Junction Box



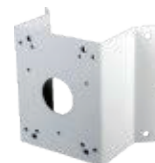
TC-P52BM
Spec: 5/G Wall Mount



A36
Pole Mount



TC-P52AM
Spec: 5/G Pendant Mount



A35
Corner Mount



811
Junction Box