

4MP+4MP LightHunter Dual-lens Network PTZ Camera

IPC94144SFW-X25-F40C



Features

- Fixed camera and PTZ camera integration, dual channels with one IP, look at overall situation and consider details at the same time
- Ultra 265, H.265, H.264, MJPEG
- 25X optical zoom of PTZ channel allows for closer viewing of subjects
- Smart intrusion prevention, support false alarm filtering, include Cross Line, Intrusion, Enter Area, Leave Area detection
- People Counting, support people flow counting and crowd density monitoring, suitable for different statistical scenarios
- PTZ channel can be linked to fixed channel's smart intrusion prevention to track the objects triggering the rule
- Support sound and light warning, makes warning and alarming more noticeable
- LightHunter technology ensures ultra-high image quality in low illumination environment
- IR & warm light illumination to deal with different scenes and achieve full-color illumination
- DC12V or PoE+(IEEE 802.3at) power supply
- Alarm 2 in and 1 out, Audio 1 in and 1 out

Specifications

Camera	Description
Sensor-Panorama	1/1.8", 4MP, CMOS
Min. Illumination-Panorama	Color:0.0003 lux (F1.0, AGC ON) 0 lux with warm light
Day/Night-Panorama	N/A
Sensor-Detail	1/2.7", 4MP, CMOS
Min. Illumination-Detail	Color:0.003 lux (F1.5, AGC ON) 0 lux with IR
Day/Night—Detail	IR-cut filter with auto switch (ICR)
Shutter	Auto/Manual, 1 ~ 1/100000s
WDR	120dB
S/N	>56dB
Lens	Description
Lens Type—Panorama	4mm@F1.0
Optical Zoom—Panorama	N/A
Iris—Panorama	Fixed aperture; F1.0
Field of View (H)—Panorama	94.9°
Field of View (V)—Panorama	51.5°
Field of View (D)—Panorama	116.7°
Lens Type-Detail	4.8~120mm@F1.5, AF automatic focusing and motorized zoom lens
Optical Zoom—Detail	25X
Iris—Detail	Auto; F1.5(W)~F3.8(T)
Field of View (H)—Detail	55.46° ~ 3.09°
Field of View (V)—Detail	32.94° ~ 1.73°
Field of View (D)—Detail	68.22° ~ 3.65°
DORI	Description
DORI Distance (Lens) — Panorama	4mm
DORI Distance (Detect) — Panorama	62.1m(203.6ft)

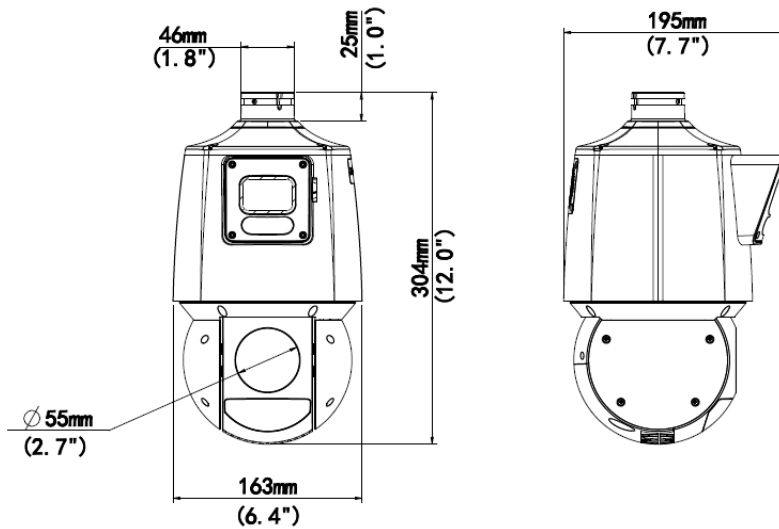
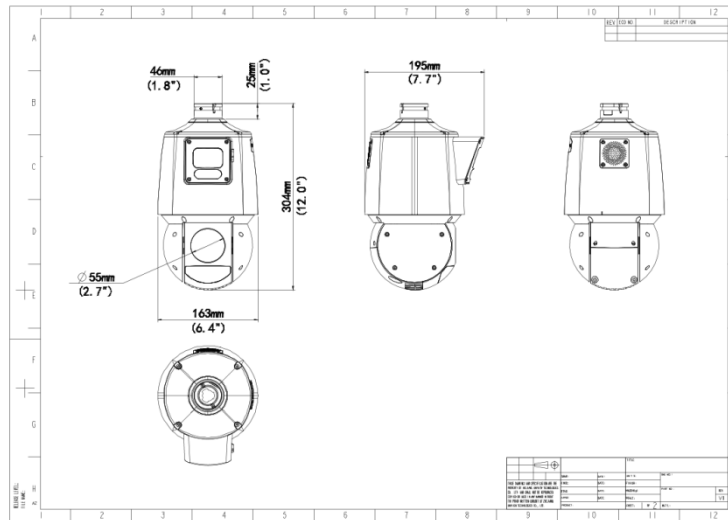
DORI Distance (Observe) — Panorama	24.8m(81.5ft)
DORI Distance (Recognize) — Panorama	12.4m(40.7ft)
DORI Distance (Identify) — Panorama	6.2m(20.4ft)
DORI Distance (Lens) —Detail	4.8~120(mm)
DORI Distance (Detect) — Detail	123.8m~2475.0m(406.0ft~8120.1ft)
DORI Distance (Observe) — Detail	49.5m~990.0m(162.4ft~3248.0ft)
DORI Distance (Recognize) — Detail	24.8m~495.0m(81.2ft~1624.0ft)
DORI Distance (Identify) — Detail	12.4m~247.5m(40.6ft~812.0ft)
Illuminator	Description
IR Range—Panorama	N/A
Warm Light Range—Panorama	30m
Wavelength—Panorama	N/A
IR Range—Detail	100m
Warm Light Range—Detail	N/A
Wavelength—Detail	850 nm
Light On/Off Control	Auto/Manual
Video	Description
Frame Rate—Panorama	Main Stream: 4MP (2688*1520),Max 30fps; Sub Stream: 1080P (1920*1080), Max 30fps; Third Stream: D1 (720*576), Max 30fps
Frame Rate—Detail	Main Stream: 4MP (2688*1520),Max 30fps; Sub Stream: 720P (1280*720), Max 30fps; Third Stream: D1 (720*576), Max 30fps
Privacy Mask—Panorama	Up to 4 areas
Privacy Mask—Detail	24 areas, up to 4 areas per scene
Video Compression	Ultra 265; H.265; H.264; MJPEG
Video Bit Rate	128 Kbps ~ 16 Mbps

U-code	Support
ROI	Up to 8 areas
Video Stream	Triple Streams
OSD	Up to 8 OSDs
Image	Description
Defog	Digital Defog
White Balance	Auto; Outdoor; Fine Tune; Sodium Lamp; Locked; Auto2
Digital Noise Reduction	2D/3D DNR
Smart IR	Support
Flip	Normal; Flip Vertical; Flip Horizontal; 180°
HLC	Support
BLC	Support
Heatwave Reduction	Support
Intelligent	Description
—Panorama	Support; Face attributes: Gender, Age range, Glasses, Mask
—Detail	Support
People Counting	Support People Flow Counting and Crowd Density Monitoring
Linkage Function—Panorama	Support. Triggered by fixed lens via smart intrusion prevention function to track target
Linkage Function—Detail	N/A
Smart Intrusion Prevention	Support False Alarm Filtering: Cross Line Detection, Intrusion Detection, Enter Area Detection, Leave Area Detection
Events	Description
Basic Detection	Motion Detection; Audio Detection; Tampering Alarm
Auto Tracking—Panorama	N/A
Auto Tracking—Detail	Support, target filtering: human, non-motor vehicle and vehicle
General Function	Watermark; IP Address Filtering; Access Policy; Alarm Input; Alarm Output; ARP Protection; RTSP Authentication; User Authentication
Audio	Description
Audio Compression	G.711U; G.711A
Audio Bitrate	128 Kbps
Two-way Audio	Support
Suppression	Support

Sampling Rate	16KHZ
Storage	Description
Edge Storage	Micro SD, up to 512 GB
Network Storage	ANR
Network	Description
Protocols	SSH; IGMP; RTP; RTCP; SMTP; IPv4; IPv6; ICMP; ARP; TCP; UDP; DHCP; PPPoE; RTSP; RTMP; DNS; DDNS; NTP; FTP; UPnP; HTTP; HTTPS; 802.1x; SNMP; QoS; SSL/TLS
Compatible Integration	ONVIF (Profile S, Profile G, Profile T, Profile M); API; SDK
User/Host	Up to 32 users. 3 user levels: administrator, common user and operator
Security	TLS1.3; Password Protection; Strong Password; HTTPS Encryption; Export Operation Logs; Basic and digest authentication for RTSP; Digest authentication for HTTP; TLS 1.2; WSSE and digest authentication for ONVIF
Client	EZStation; EZLive; EZView
Web Browser	Plug-in required live view: IE 10 and above, Chrome 45 and above, Firefox 52 and above, Edge 79 and above
PTZ	Description
Pan Range—Panorama	N/A
Pan Speed—Panorama	N/A
Tilt Range—Panorama	18° ± 5°
Tilt Speed—Panorama	N/A
Pan Range—Detail	360°
Pan Speed—Detail	0.1°/s ~ 80°/s
Tilt Range—Detail	- 15° ~ 90°
Tilt Speed—Detail	0.1°/s ~ 80°/s
Number of Presets	1024
Preset Patrol	16 patrols, up to 64 presets for each patrol
Route Patrol	16 patrols, up to 32 actions for each patrol
Recorded Patrol	16 patrols, up to 128 actions for each patrol
Patrol Stay Time	15s ~ 1800s
Preset Image Freeze	N/A
Home Position	Support
Interface	Description

Audio I/O	1/1
Alarm I/O	2/1
Serial Port	1 * RS485
Built-in Mic	N/A
Built-in Speaker	Support
WIFI	N/A
Network	1 x RJ45 10M/100M Base-TX Ethernet
Video Output	N/A
Certification	Description
EMC	CE-EMC (EN 55032: 2015+A1:2020,EN 61000-3-3: 2013+A1: 2019,EN IEC 61000-3-2: 2019+A1: 2021,EN 55035: 2017+A11:2020) FCC (FCC CFR 47 part15 B, ANSI C63.4-2014)
Safety	CE LVD (EN 62368-1:2014+A11:2017) UL (UL 62368-1, 2nd Ed., Issue Date: 2014-12-01)
Environment	CE-RoHS (2011/65/EU;(EU)2015/863)
Protection	IP66 (IEC 60529:1989+AMD1:1999+AMD2:2013)
General	Description
Power	DC12V (±25%), PoE+(IEEE 802.3at)
Power Consumption	MAX 24W
Power Interface	Ø 5.5mm coaxial power plug
Dimensions	Ø 304 x 195 x 163mm(Ø 12.0" x 7.7" x 6.4")
Weight	2.27kg (5.00lb)
Working Environment	-40 °C ~ 65 °C (-40 °F ~ 149 °F), Humidity: ≤95% RH (non-condensing)
Storage Environment	-40 °C ~ 70 °C (-40 °F ~ 158 °F), Humidity: ≤95% RH (non-condensing)
Surge Protection	6KV
Reset Button	Support
Web Client Language	22 Languages Traditional Chinese, English, Simplified Chinese, Polish, German, Russian, French, Korean, Dutch, Czech, Portuguese (Europe), Portuguese (Brazil), Japanese, Thai, Turkish, Spanish (Latin America), Spanish (Europe), Hungarian, Italian, Vietnamese, Arabic, Slovak

Dimensions



Zhejiang Uniview Technologies Co., Ltd.

No. 369, Xietong Road, Xixing Sub-district, Binjiang District, Hangzhou City, 310051, Zhejiang Province, China

Email: overseasbusiness@uniview.com; globalsupport@uniview.com

<http://www.uniview.com>

©2023-2024 Zhejiang Uniview Technologies Co., Ltd. All rights reserved.

*Product specifications and availability are subject to change without notice.

*Despite our best efforts, technical or typographical errors may exist in this document. Uniview cannot be held responsible for any such errors and reserves the right to change the contents of this document without prior notice.