

SUNNY TRIPOWER 60

STP 60-JP-10



Efficient

- Maximum efficiency of 98.8%
- Superior power density: 60 kW with only 75 kg of weight

Reliable

- Superior PV system availability with 60-kW units
- SMA Inverter Manager as central control unit

Flexible

- DC input voltage of up to 1000 V
- Flexible DC solutions with customer-specific PV array combiner boxes

Innovative

- Cutting-edge system design

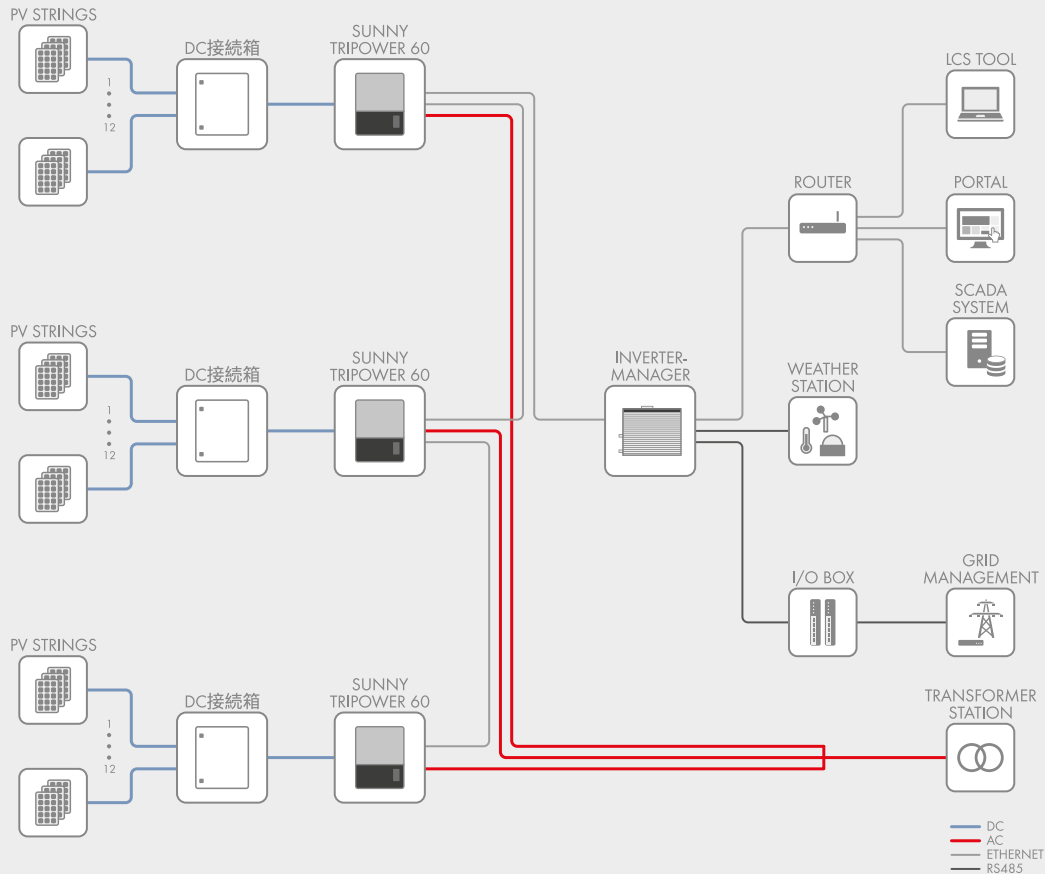
SUNNY TRIPOWER 60

The Best of Two Worlds

The new Sunny Tripower 60 is part of an innovative global system solution for commercial and industrial PV systems. This solution combines the advantages of a decentralized system layout with the benefits of centralized inverter designs in order to get the best of two worlds. High efficiency, flexible system design, easy installation, simple commissioning and low maintenance requirements contribute decisively to reducing the operating costs for the entire system.

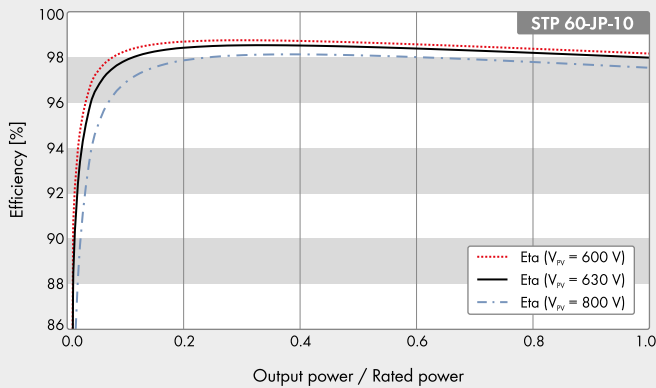
SUNNY TRIPOWER 60

SYSTEM DIAGRAM



Technical Data	SMA Inverter Manager
Voltage supply	
Input voltage	9 to 36 Vdc
Power consumption	< 20 W
General data	
Dimensions (W/H/D)	160 / 125 / 49 mm (6.3 / 4.9 / 1.9 inches)
Weight	940 g (2 lbs)
Maximum allowed number of inverters	42
Degree of protection	IP21
Mounting	DIN top-hat rails or wall mounting
Operating temperature range	-40 °C to +85 °C (-40 °F to +185 °F)
Relative humidity (non-condensing)	5 % to 95 %
Interfaces	
PC user interface	LCS tool
Sensor interface / protocol	RS485 / Modbus RTU for SunSpec Alliance compatible weather station
Interface to inverter	1 Ethernet port (RJ45)
Interface for external network / protocol	1 Ethernet port (RJ45) / Modbus TCP, SunSpec Alliance
Interface to remote control	6 x DI via external SMA Digital I/O Box
Certificates and approvals (more available upon request)	UL 508, UL 60950-1, CSA C22.2 No. 60950-1-07, EN 60950-1, EN 55022 Class A, EN 61000-3-2 Class D, EN 61000-3-3, EN 61000-6-4, EN 55024, FCC Part 15, Sub-part B Class A
SMA Inverter Manager type designation	IM-20
SMA Digital I/O Box type designation	IM-DIO-10

Efficiency Curve



● Standard features ○ Optional – Not available
 Data at nominal conditions
 Last revision: May 2018

Technical Data

Input (DC)

Rated DC power
Max. PV array power
Max. input voltage
MPP voltage range (at 420 Vac / 440 Vac)
Min. input voltage (at 420 Vac / 440 Vac)
Start input voltage (at 420 Vac / 440 Vac)
Max. input current / max. short-circuit current
Number of independent MPP inputs/strings per MPP input
Rated DC input voltage (at 420 Vac / 440 Vac)

Output (AC)

Rated power at nominal voltage
Max. apparent AC power
Max. reactive power
Nominal AC voltage
AC voltage range
AC power frequency/range
Rated power frequency/rated grid voltage
Max. output current (at 420 Vac / 440 Vac) / rated output current
Power factor at rated power / displacement power factor adjustable
THD
Feed-in phases/connection phases

Efficiency

Max. efficiency / Euro-eta / according to JIS C 8961
--

Protective devices

Input-side disconnection point
Ground fault monitoring/grid monitoring
Integrable DC surge arrester / AC surge arrester
AC short-circuit current capability / galvanically isolated
All-pole sensitive residual-current monitoring unit
Protection class (as per IEC 62109-1) / overvoltage category (as per IEC 62109-1)

General data

Dimensions (W/H/D)
Weight
Operating temperature range
Noise emission, typical
Self-consumption (at night)
Topology / cooling concept
Degree of protection (according to IEC 60529 / UL 50E)
Climatic category (as per IEC 60721-3-4)
Max. permissible value for relative humidity (non-condensing)

Features / function / accessories

DC connection / AC connection
Display
Data interface
Off-grid capable / PV-diesel capable
Utility Requirements
Warranty: 5/10/15/20 years

Sunny Tripower 60

61240 W
90000 W _p
1000 V
598 V to 800 V / 627 V to 800 V
593 V / 622 V
628 V / 660 V
110 A / 150 A
1/2 (split up in external combiner box)
660 V / 690 V

60000 W
60000 VA
60000 var
3 / PE, 420 V (50 Hz) / 440 V (60 Hz)
360 V to 530 V
50 Hz / 44 Hz to 55 Hz
60 Hz / 54 Hz to 65 Hz
50 Hz / 420 V
82.5 A / 79 A / 82.5 A
1 / 0 overexcited to 0 underexcited
< 3 %
3 / 3

98.8 % / 98.3 % / 98.0 %

●
● / ●
Type II / type II + III (combined)
● / –
●
I / AC: III; DC: II

570 / 740 / 306 mm (22.4 / 29.1 / 12 inches)
75 kg (165.3 lb)
-25 °C to +60 °C (-13 °F to +140 °F)
58 dB(A)
< 3 W
Transformerless / active
IP65 / NEMA 3R
4K4H/4Z4/4B2/4S3/4M2/4C2
95 %

Screw terminal / screw terminal
Graphical
SunSpec Modbus TCP (via external SMA Inverter Manager)
– / ●
●
●
● / ○ / ○ / ○

Type designation

STP 60-JP-10

FLEXIBLE SYSTEM DESIGN

With Maximum Efficiency

The new SMA system solution consists of four components: highly efficient inverters, the flexible combiner boxes, the central SMA Inverter Manager and the LCS commissioning tool. It is precisely this systemized approach that makes the Sunny Tripower 60 so unique and guarantees a high level of performance along with maximum flexibility in system planning and design.

Sunny Tripower 60 inverters with impressive design

No other inverter weighing only 75 kg with an output of 60 kW offers this. With its compact design, the Sunny Tripower 60 requires little space, reduces on-site preparation work, simplifies installation and lowers maintenance costs.

Innovative system management with the SMA Inverter Manager

The SMA Inverter Manager is the central communications component and sole interface for controlling the entire system. It handles all the important inverter and system management functions for up to 42 inverters in one system (up to 2.5 MW).

Based on Modbus TCP (SunSpec Alliance) Communication, it can be easily integrated into a larger communication system. Moreover, the SMA Inverter Manager provides grid management functions.

Easy commissioning with the LCS commissioning tool

The specially developed LCS tool (Local Commissioning and Service) makes commissioning easy, saves time and reduces costs. The inverter is configured by simply selecting the system-specific configuration files and then transmitting them to all inverters. Furthermore, by reading the status, current values and incidents at the inverter level can make troubleshooting considerably easier.

External combiner box for flexible system design

The module strings are connected to the inverters using the external combiner boxes.* This new design decisively contributes to reducing system costs.

*Different configurations can be delivered upon request