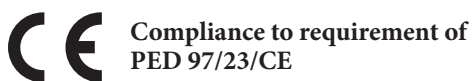


## bourdon tube pressure gauges anti-vibration version DS 2.5" (63mm)



These instruments are built in conformity with the construction and safety S2 specifications of **EN 837-1**.

Instruments designed for use on power units, pump, hydro-cleaning machines, presses, engine compressors, turbines, diesel engines, refrigerating plants and on machines and equipment where pulsating pressures or mechanical vibrations are apparent. They can be used with gaseous or liquid media which do not corrode copper alloy and which do not have high viscosity or do not cristalize.

### 1.10.2 - Fillable Model

**Design:** EN837-1.

**Safety designation:** S2 as per EN 837-1.

**Ranges:** from 0...15 to 0...10000 *psi* (from 0...1 to 0...600 bar or other equivalent units).

**Accuracy class:** 1,6 as per EN 837-1.

**Ambient temperature:** -13...+149°F (-25...+65 °C).

**Process fluid temperature:** +212°F (max +100 °C).

**Thermal drift:** max ±0,4 %/10 °C of ranges  
(starting from + 68 °F - 20 °C).

**Working pressure:**

75% of FSV for static pressure;

66% of FSV for pulsating pressure.

**Over pressure limit** (15 min max):

25% of FSV for pressure ranges ≤ 1500 *psi* (100 bar);

15% of FSV for pressure ranges over 1500 *psi* (100 bar).

**Protection degree:** IP 67 as per EN 60529/IEC 529.

**Socket material:** copper alloy.

**Bourdon tube:** copper alloy.

**Case:** stainless steel.

**Ring:** stainless steel, polished, crimped

**Window:** polycarbonate.

**Movement:** copper and stainless steel.

**Dial:** plastic, white with black markings

**Pointer:** not adjustable, aluminium, black

### 1.10.3 - Filled Model

**Damping liquid:** glycerine 98% or silicon oil.

**Ambient temperature:**

+32...+149 °F (0...+65 °C) with glycerine filling;

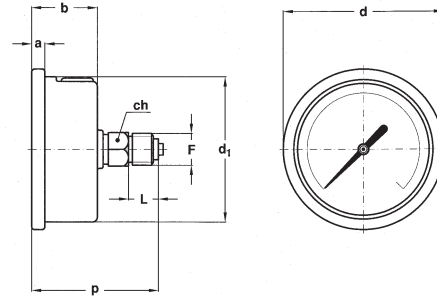
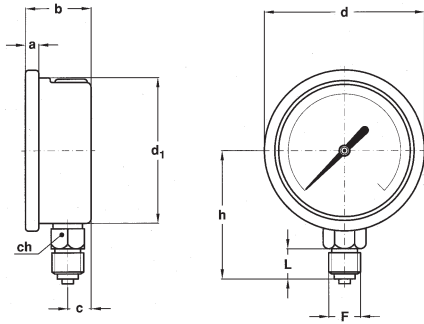
-40...+149 °F (-40...+65 °C) with silicon oil filling.

**Process fluid temperature:** max +149°F (+65 °C).

**Other features:** as fillable model.

**bourdon tube pressure gauges**  
**anti-vibration version, DS 2.5" (63mm)**

**MGS10**



**A - LOWER CONNECTION**

**D - BACK CONNECTION**

Mounting	F	a	b	c	d	d <sub>1</sub>	h	p	L	ch	Weight (1)
Lower	21M - G 1/4 A	0.22"	1.10"	0.39"	2.67"	2.46"	2.17" - 2.13"		0.51"	0.51" x 0.35"	0.28 lbs
	23M - 1/4-18 NPT	(5,6)	(28)	(10)	(68)	(62,6)	(55,3 - 54,3)		(13)	(14 x 9)	(0,13 kg)
Back	21M - G 1/4 A	0.22"	1.10"		2.67"	2.46"		1.81" - 2.11"	0.39"	0.51" x 0.35"	0.30 lbs
	23M - 1/4-18 NPT	(5,6)	(28)		(68)	(62,6)		(54,8 - 53,8)	(13)	(14 x 9)	(0,14 kg)

dimensions : inches (mm)

(1) add 0.15 lbs (0,07 kg) when filled

**OPTIONS**

Model	fillable	filled
<b>B</b> - "U"-clamp, for back connection pressure gauges	◆	◆
<b>C</b> - Back flange, for lower connection pressure gauges	◆	◆
<b>E</b> - Front flange, for back connection pressure gauges	◆	◆
<b>Q03</b> - Dial: aluminium (min. 100 pz)	◆	◆
<b>S06</b> - Restrictor plug ø 0.015 " (0,4 mm).	◆	◆
<b>P01</b> - Suitable for filling with silicone	◆	
<b>S10</b> - Silicone filling		◆
<b>T37</b> - Tempered glass window (1)	◆	◆

(1) Safety designation: S1 as per EN 837-1.

**"HOW TO ORDER" SEQUENCE**

Section / Model /Case / Mounting / Diameter / Range / Process connection / Options

**1 10 2 A C 21M B, C, E**  
**3 D 23M Q03...T37**

