

FEATURES :

- PIPE THREAD IN ACCORDANCE: NPT,BSPT,DIN259,DIN2999,ISO 228 CLASS A
- CLASS 800 W.O.G.
- INVESTMENT CASTING BODY
- MAXIMUM WORKING TEMPERATURE 230°C

MATERIALS LIST :

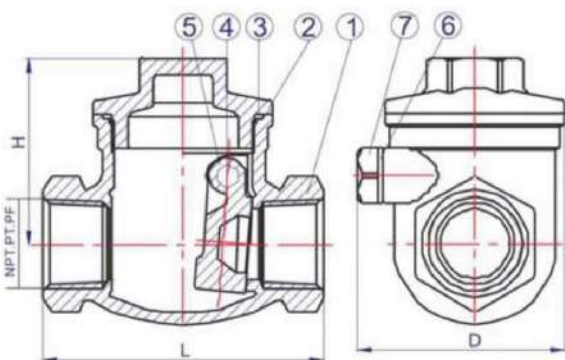
ITEM	PART NAME	MATERIAL
1	BODY	CF8M
2	SCREEN	SUS304
3	GASKET	PTFE
4	CAP	CF8M
5	STOPPER	CF8M
6	GASKET	PTFE

DIMENSIONS :

size	NPS	1/4"	3/8"	1/2"	3/4"	1"	1 1/4"	1 1/2"	2"	2 1/2"	3"
	DN	8	10	15	20	25	32	40	50	65	80
L		65	65	65	80	90	105	120	120	170	195
H		45	45	45	53	68	72	80	80	112	129
D		31	31	31	36	45	50	59	59	95	111

SWING CHECK VALVE CLASS 200 SCREWED END

C511 SUS316 A351 Gr-CF8M DIN 1.4408



FEATURES :

- PIPE THREAD IN ACCORDANCE: NPT,BSPT,DIN259,DIN2999,ISO 228 CLASS A
- CLASS 200 W.O.G.
- INVESTMENT CASTING BODY
- SWING TYPE DISC

MATERIALS LIST :

ITEM	PART NAME	MATERIAL
1	BODY	CF8M
2	CAP	CF8M
3	GASKET	PTFE
4	PLUG	SUS316
5	DISC	CF8M
6	GASKET	PTFE
7	BOLT	SUS304

DIMENSIONS :

size	NPS	1/4"	3/8"	1/2"	3/4"	1"	1 1/4"	1 1/2"	2"	2 1/2"	3"
	DN	8	10	15	20	25	32	40	50	65	80
L		65	65	65	80	89	105	120	139	181	200
H		43	43	43	53	60	66	75	80	99	104
D		46.5	46.5	46.5	51.5	56	64	74.5	84	103.5	152