



CL800

DESIGN CONSTRUCTION :

API 602-ASME B16.34-BS 5352 TESTING ACCORDING TO API 598

OUTSIDE SCREW AND YOKE (OS&Y)

SOCKET WELD ENDS TO ASME B16.11

SCREWED ENDS (NPT) TO ASME B1.20.1

BUTT WELDING ENDS TO ASME B16.25

RATINGS :

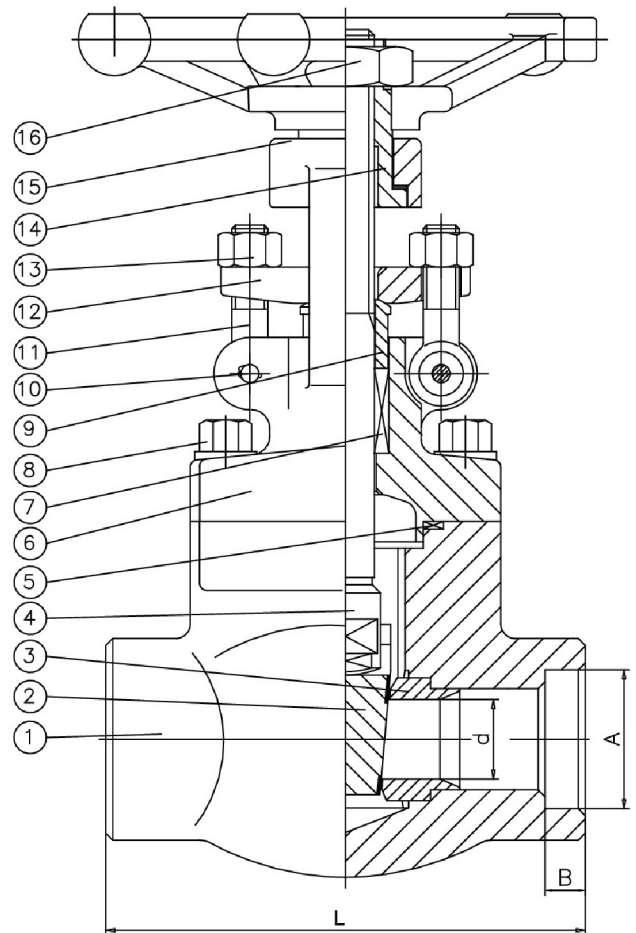
CARBON STEEL CLASS 800 1975 PSIG@ 100°F

MATERIALS LIST :

ITEM	PART NAME	MATERIAL
1	BODY	A105
2	WEDGE	A182 F6a
3	SEAT	A276 410
4	STEM	A276 410
5	GASKET	SS304+GRAPHITE
6	BONNET	A105
7	PACKING	GRAPHITE
8	BOLT	A193 B7
9	GLAND	A276 410
10	PIN	A276 410
11	GLAND EYEBOLT	A193 B7
12	GLAND FLANGE	A105
13	NUT	A194 2H
14	STEM NUT	A276 410
15	HANDWHEEL	A197
16	LOCKING NUT	AISI 1035

DIMENSIONS :

size	Inch	1/2"	3/4"	1"	1 1/4"	1 1/2"	2"
	mm	15	20	25	32	40	50
d		10.5	13.5	18	24	29	36.5
L		79	92	111	120	120	140
A		21.8	27.1	33.8	42.6	48.7	61.2
B		9.6	12.7	12.7	12.7	12.7	15.9



PRICE :

SIZE	Inch	1/2"	3/4"	1"	1 1/4"	1 1/2"	2"
	mm	15	20	25	32	40	50
PRICE		1,300	1,600	2,200	3,000	3,550	4,960