

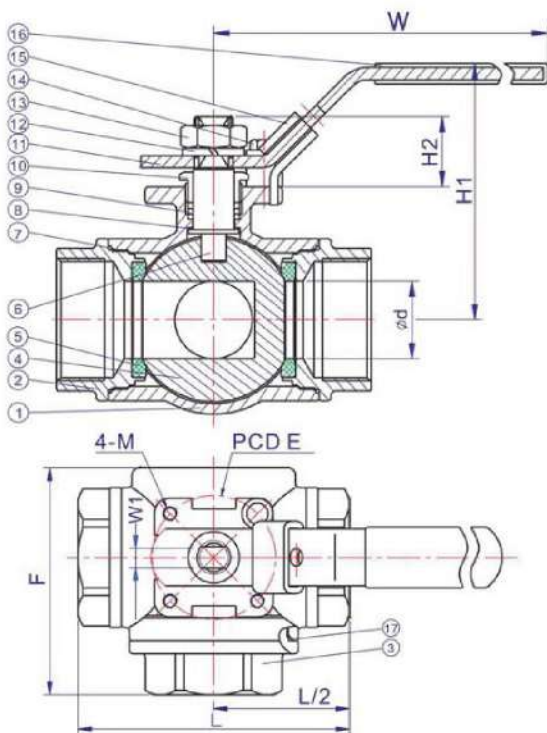


FEATURES :

- PIPE THREAD IN ACCORDANCE:
NPT,BSPT,DIN259,DIN2999,IOS 228 CLASS A
- BLOW-OUT PROOF STEM / REDUCE PORT
- INVESTMENT CASTING BODY
- 100PSI(PN63)W.O.G.
- WITH ISO 5211 MOUNTING PAD
- LOCKING DEVICE
- L-PORT OR T-PORT AVAILABLE / 360°PAD
- THERE ARE FOUR SEATS

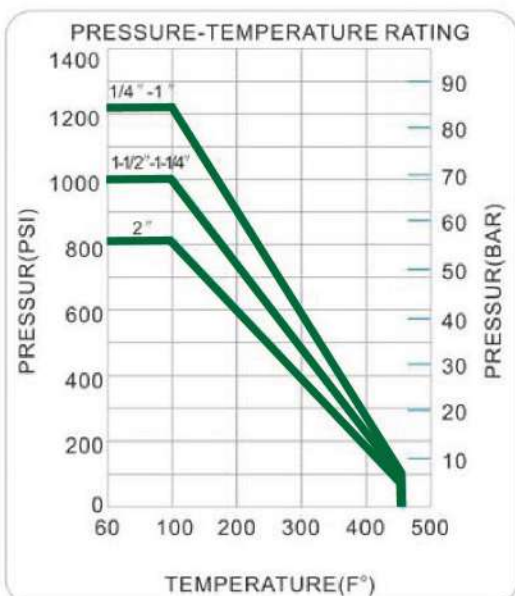
MATERIALS LIST :

| ITEM | PART NAME | MATERIAL |
|------|---------------|----------|
| 1 | BODY | CF8M |
| 2 | CAP-B | CF8M |
| 3 | BALL | CF8M |
| 4 | SEAT | PTFE |
| 5 | STEM | SUS316 |
| 6 | GASKET-B | PTFE |
| 7 | THRUST WASHER | PTFE |
| 8 | PACKING | PTFE |
| 9 | GRAND | SUS304 |
| 10 | SPRING WASHER | SUS304 |
| 11 | STEM NUT | SUS304 |
| 12 | LOKING DEVICE | SUS304 |
| 13 | HANDLE | SUS304 |
| 14 | PLASTIC COVER | PLASTIC |
| 15 | STOP PIN | SUS304 |
| 16 | GASKET-A | PTFE |
| 17 | CAP-A | SUS304 |



| PORT TYPE | PORT | | | |
|--------------|------------------------------|------------------------------|------------------------------|------------------------------|
| | 1 | 2 | 3 | 4 |
| L | 1 $\frac{1}{2}$ ₃ | 1 $\frac{1}{2}$ ₃ | 1 $\frac{1}{2}$ ₃ | 1 $\frac{1}{2}$ ₃ |
| T | 1 $\frac{1}{2}$ ₃ | 1 $\frac{1}{2}$ ₃ | 1 $\frac{1}{2}$ ₃ | 1 $\frac{1}{2}$ ₃ |

DIMENSIONS :



| size | | d | L | F | H | W | ISO 5211 | E | H2 | W1 | Ma |
|------|--------|------|-----|------|-----|-----|----------|----|----|------|----|
| DN | NPS | | | | | | | | | | |
| 8 | 1/4" | 11.6 | 76 | 60 | 67 | 153 | F04 | 42 | 18 | 8 | M5 |
| 10 | 3/8" | 12.5 | 76 | 60 | 67 | 153 | F04 | 42 | 18 | 8 | M5 |
| 15 | 1/2" | 15.5 | 76 | 60 | 67 | 153 | F04 | 42 | 18 | 8 | M5 |
| 20 | 3/4" | 16 | 86 | 72 | 77 | 153 | F04 | 42 | 20 | 8 | M5 |
| 25 | 1" | 20 | 99 | 80.2 | 83 | 183 | F05 | 50 | 23 | 9.5 | M6 |
| 32 | 1 1/4" | 25 | 117 | 94.5 | 88 | 183 | F05 | 50 | 23 | 9.5 | M6 |
| 40 | 1 1/2" | 32 | 124 | 104 | 116 | 246 | F07 | 70 | 34 | 12.5 | M8 |
| 50 | 2" | 38 | 148 | 125 | 124 | 246 | F07 | 70 | 34 | 12.5 | M8 |