



MODEL :

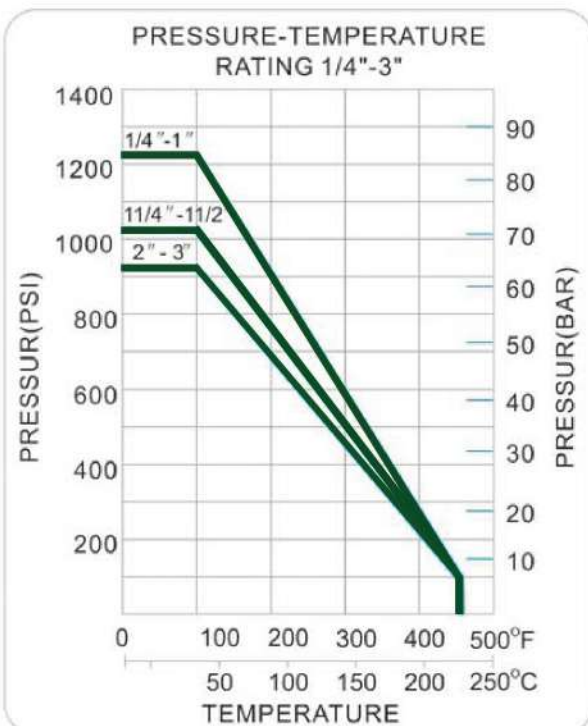
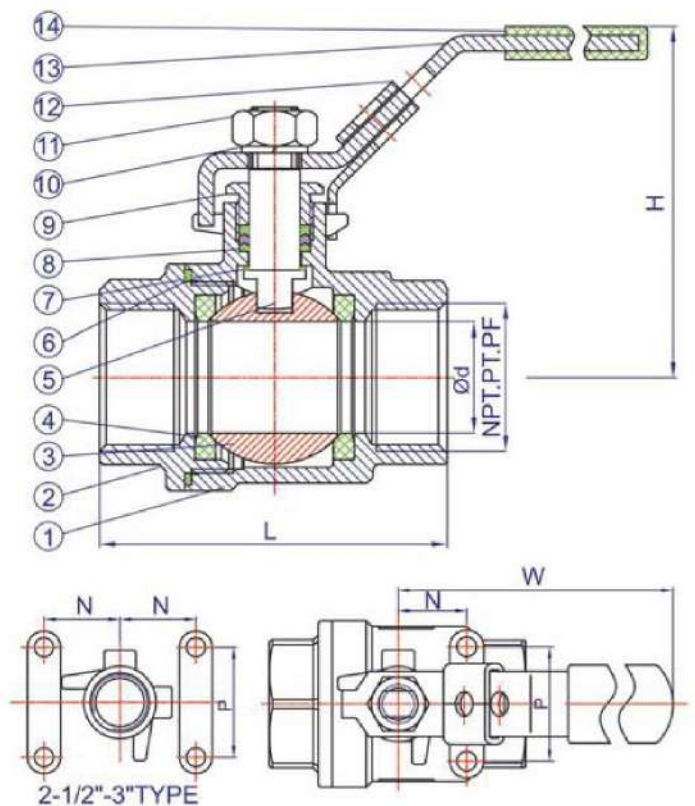
- C123 S45C A216Gr-WCB DIN1.0619
- C125 SUS316 A351Gr-CF8M DIN1.4408

FEATURES :

- PIPE THREAD IN ACCORDANCE:
- NPT,BSPT,DIN259,DIN2999,ISO 228 CLASS A
- BLOW-OUT PROOF STEM/FULL PORT
- INVESTMENT CASTING BODY
- 1000PSI(PN63)W.O.G.
- LOCKING DEVICE

MATERIALS LIST :

ITEM	PART NAME	MATERIAL
1	BODY	WCB CF8M
2	CAP	WCB CF8M
3	BALL	CF8M
4	SEAT	PTFE
5	STEM	SUS316
6	GASKET	PTFE
7	THRUST WASHER	PTFE
8	PACKING	PTFE
9	WASHER	SUS304
10	SPRING WASHER	SUS304
11	STEM NUT	SUS304
12	LOKING DEVICE	SUS304
13	HANDLE	SUS304
14	PLASTIC COVER	PLASTIC



DIMENSIONS :

size		d	L	H	W	N	P	CV FACTOR	TORQUE N.M
DN	NPS								
8	1/4"	11.6	52	56	102	12.7	28.5	6	3.0
10	3/8"	12.7	52	56	102	12.7	28.5	7	3.0
15	1/2"	15	58	65	123	12.7	28.5	10	4.0
20	3/4"	20	67	68	123	21	35	25	7.5
25	1"	25	78	79	153	21	35	35	10
32	1 1/4"	32	90	84	153	23.5	38	46	12
40	1 1/2"	38	104	93	183	23.5	38	80	15
50	2"	50	127	99	183	23.5	38	110	25
65	2 1/2"	65	158	136	246	35	54	310	38
80	3"	80	187	146	246	35	54	360	72