

**Non-Rising Stem, Screwed Bonnet, Solid Wedge Disc, Screwed Ends.**

MSS Specification Valve

### FEATURE

1. Suitable Medium : Water, Sea Water, Non-causticity liquid, Saturated Steam
2. Max.Working Pressure : 200 PSI
3. Max.Temperature : -10° to 100°C
4. Thread : BS 21

### GATE VALVE

Fig. GV-1101 (Full Bore)

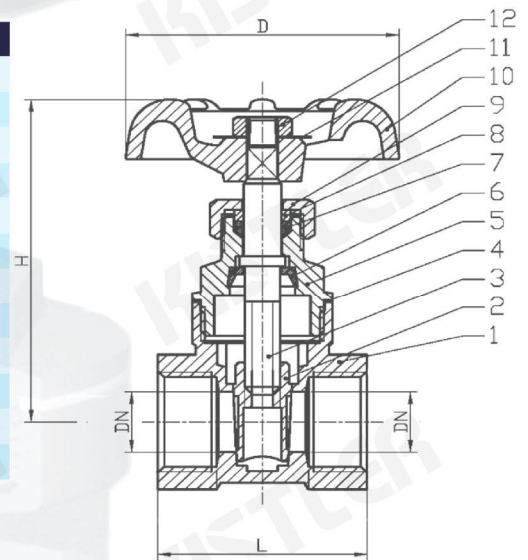
200 W.O.G



WORKING PRESSURE		TEST	
Saturated Steam	Cold Water, Oil, Gas	Shell (Water)	Seat (Air)
<b>Psi</b>	125	300	80
<b>Bar</b>	10.3	20.7	5.5

### MATERIALS

NO.	NAME OF PARTS	MATERIAL	ASTM SPECIFICATIONS
1	Body	Forged Brass	B283-C37700
2	Wedge	Forged Brass	B283-C37700
3	Stem	Forged Brass	B124-C37700
4	Washer	PTFE	
5	Bonnet	Forged Brass	B283-C37700
6	Screw	Forged Brass	B283-C37700
7	Packing	PTFE	
8	Gland	Forged Brass	B124-C37700
9	Hex Nut	Forged Brass	B21-C37700
10	Hand Wheel	Cast Iron	A126 Class B
11	Name Plate	Aluminium plate	B209-1000
12	Wheel Nut	Steel (Zine plated)	A307 Gr.A



### Note :

1. End threads conform to the British standard Taper pipe threads.
2. Each valve is individually tested for seat and shell tightness.
3. Minimum and maximum working temperature -10° to 100°C
4. These valve conform to the requirements of MSS SP-110

### DIMENSIONS

Unit : mm.

SIZE	DN	H	D	L	Weight / kgs
1/2"	15	66	53	41	0.24
3/4"	20	75	53	46	0.28
1"	25	81	59	48	0.39
1.1/4"	32	91	72	57	0.61
1.1/2"	40	103	72	64	0.8
2"	50	129	79	65	1.15
2.1/2"	65	170	99	79	2.3
3"	80	180	107	83	2.75