

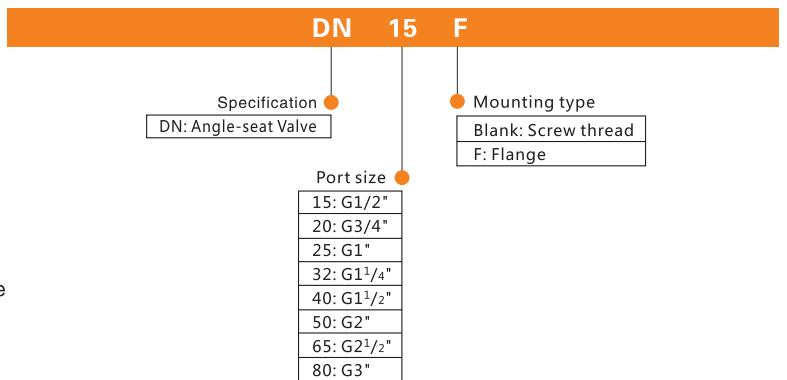
Angle-seat Valve



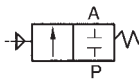
Specification:

| Type                        | Screw thread                     | DN-15  | DN-20  | DN-25   | DN-32   | DN-40  | DN-50   | DN-65  | DN-80  |
|-----------------------------|----------------------------------|--------|--------|---------|---------|--------|---------|--------|--------|
|                             | Flange                           | DN-15F | DN-20F | DN-25F  | DN-32F  | DN-40F | DN-50F  | DN-65F | DN-80F |
| Valve body Material         | Stainless steel                  |        |        |         |         |        |         |        |        |
| Motion                      | Piston guide type                |        |        |         |         |        |         |        |        |
| Fluid                       | Air,Water,Oil(Below 50CST),Steam |        |        |         |         |        |         |        |        |
| Port Size                   | G1/2"                            | G3/4"  | G1"    | G1 1/4" | G1 1/2" | G2"    | G2 1/2" | G3"    |        |
| Nominal diameter            | 13                               | 20     | 25     | 32      | 40      | 50     | 65      | 80     |        |
| CV Value(m <sup>3</sup> /h) | 4.2                              | 8      | 19     | 27.5    | 42      | 55     | 90      | 115    |        |
| Working Pressure (MPa)      | 0~1.6                            | 0~1.1  | 0~1.1  | 0~1.5   | 0~1.25  | 0~1.1  | 0~1.5   | 0~1.5  |        |
| Min Control Pressure(MPa)   | 0.39                             | 0.39   | 0.42   | 0.5     | 0.44    | 0.32   | 0.32    | 0.5    |        |

How to order:



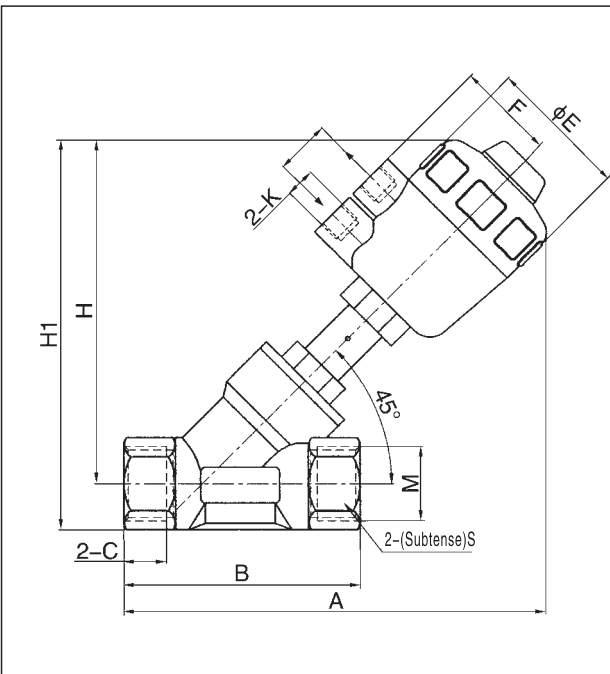
Symbol:



Product feature:

1. Open/close air source pipeline to control main valve
2. External pilot ensure long service life.
3. Safe operate with 5 million times, no-need maintenance
4. The self-adjusting seal gland between flash port and sliding block, improves the sealing performance
5. Used for air and neutral gas

Dimension(mm):



| Type  | Symbol | A   | B   | C  | ΦE    | F  | G  |
|-------|--------|-----|-----|----|-------|----|----|
| DN-15 |        | 173 | 85  | 12 | 64.5  | 44 | 24 |
| DN-20 |        | 178 | 95  | 14 | 64.5  | 44 | 24 |
| DN-25 |        | 212 | 105 | 18 | 80.5  | 52 | 24 |
| DN-32 |        | 226 | 120 | 18 | 80.5  | 52 | 24 |
| DN-40 |        | 230 | 130 | 18 | 80.5  | 52 | 24 |
| DN-50 |        | 250 | 150 | 20 | 80.5  | 52 | 24 |
| DN-65 |        | 298 | 185 | 25 | 101.5 | 60 | 24 |

| Type  | Symbol | H   | H1    | K    | M      | S  |
|-------|--------|-----|-------|------|--------|----|
| DN-15 |        | 137 | 154   | G1/4 | G1/2   | 37 |
| DN-20 |        | 145 | 160   | G1/4 | G3/4   | 32 |
| DN-25 |        | 173 | 196.5 | G1/4 | G1     | 41 |
| DN-32 |        | 186 | 208.5 | G1/4 | G1 1/4 | 50 |
| DN-40 |        | 189 | 214   | G1/4 | G1 1/2 | 55 |
| DN-50 |        | 205 | 237.5 | G1/4 | G2     | 70 |
| DN-65 |        | 241 | 283.5 | G1/4 | G2 1/2 | 85 |

## Hand Valve

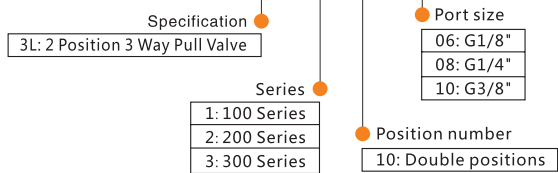


### Specification:

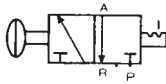
| Type                    | 3L110-06                    | 3L210-08                    | 3L310-10                    |
|-------------------------|-----------------------------|-----------------------------|-----------------------------|
| Position number         | 2 Position 3 Way            |                             |                             |
| Fluid                   | Compressed air              |                             |                             |
| Port size(G)            | G1/8"                       | G1/4"                       | G3/8"                       |
| Orifice size(Cv)        | 12mm <sup>2</sup> (Cv=0.67) | 16mm <sup>2</sup> (Cv=0.89) | 30mm <sup>2</sup> (Cv=1.67) |
| Working pressure(MPa)   | 0~0.8                       |                             |                             |
| Ambient temperature(°C) | -5~60                       |                             |                             |

### How to order:

3L 1 10 06

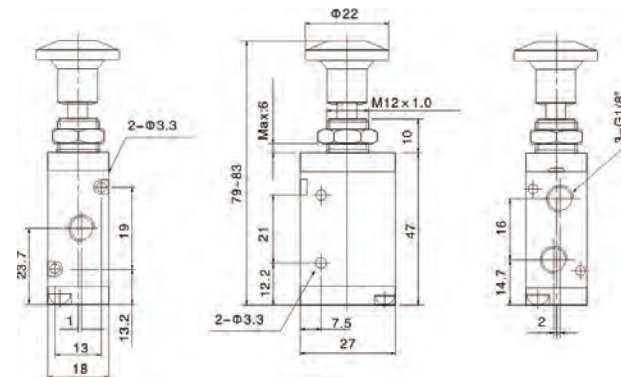


### Symbol:

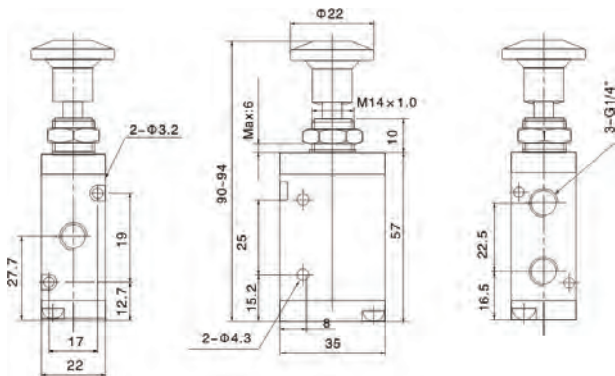


### Dimension(mm):

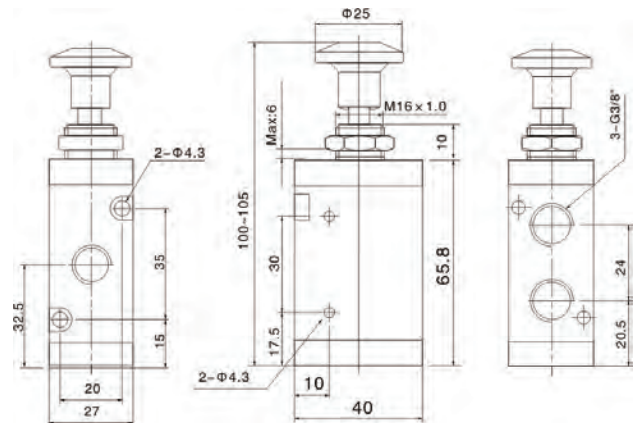
#### 3L110



#### 3L210



#### 3L310



## Hand Valve



### Specification:

| Type                    | 4L110-06                    | 4L210-08                    | 4L310-10                    |
|-------------------------|-----------------------------|-----------------------------|-----------------------------|
| Position number         | 2 Position 5 Way            |                             |                             |
| Fluid                   | Compressed air              |                             |                             |
| Port size(G)            | G1/8"                       | G1/4"                       | G3/8"                       |
| Orifice size(Cv)        | 12mm <sup>2</sup> (Cv=0.67) | 16mm <sup>2</sup> (Cv=0.89) | 30mm <sup>2</sup> (Cv=1.67) |
| Working pressure(MPa)   | 0~0.8                       |                             |                             |
| Ambient temperature(°C) | -5~60                       |                             |                             |

### How to order:

4L 1 10 06

Specification  
4L: 2 Position 5 Way Pull Valve

Series  
1: 100 Series  
2: 200 Series  
3: 300 Series

Port size  
06: G1/8"  
08: G1/4"  
10: G3/8"

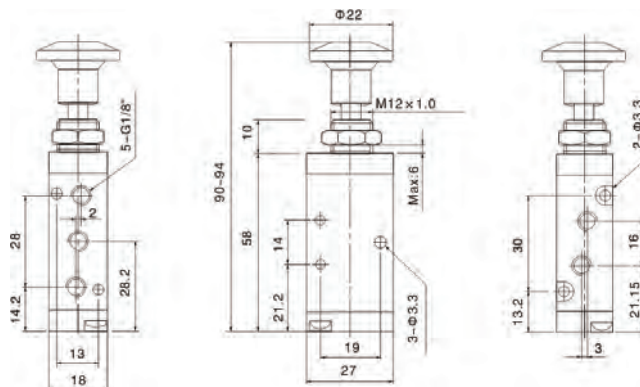
Position number  
10: Double positions

### Symbol:

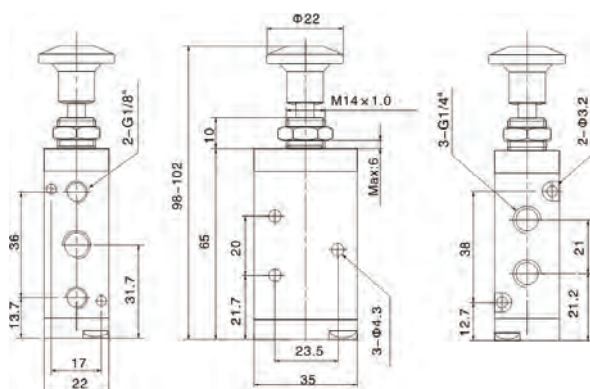


### Dimension(mm):

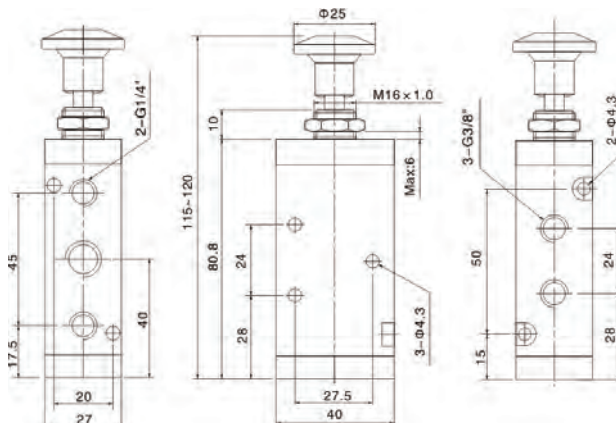
#### 4L110



#### 4L210



#### 4L310



4L

## Hand Valve

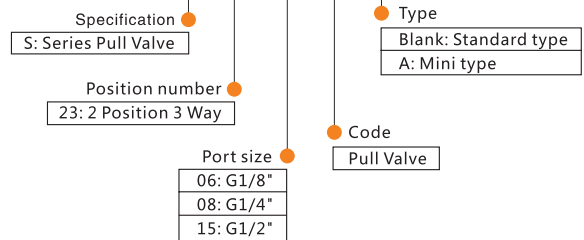


### Specification:

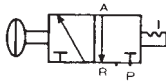
| Type                    | S230805          | S231505 |
|-------------------------|------------------|---------|
| Position number         | 2 Position 3 Way |         |
| Fluid                   | Compressed air   |         |
| Port size(G)            | G1/4"            | G1/2"   |
| Working pressure(MPa)   | 0~0.8            |         |
| Ambient temperature(°C) | -5~60            |         |

### How to order:

**S 23 06 05 A**



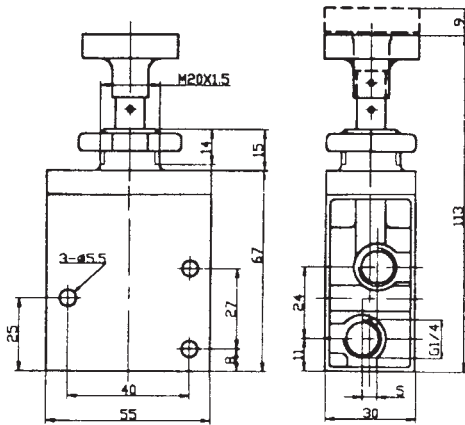
### Symbol:



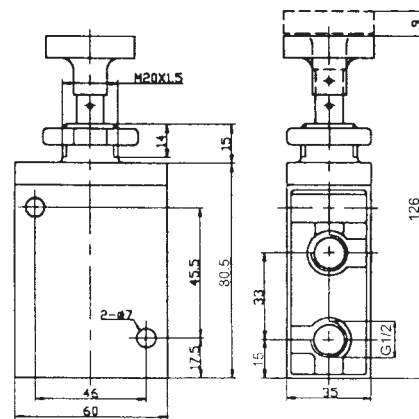
S23

### Dimension(mm):

#### S230805A



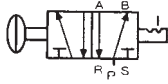
#### S231505



## Hand Valve

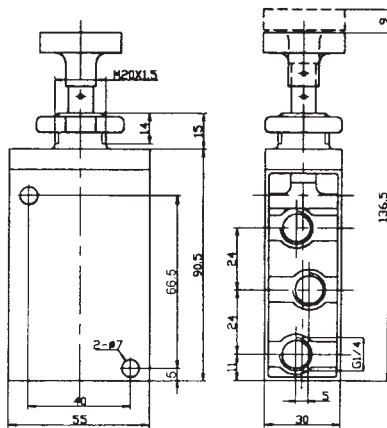


### Symbol:

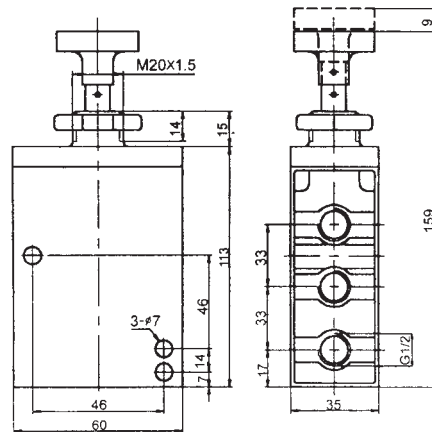


### Dimension(mm):

#### S250805



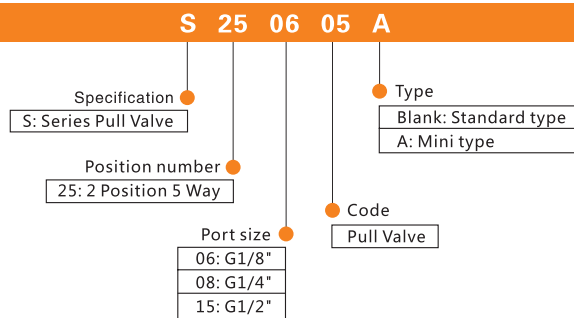
#### S251505



### Specification:

| Type                    | S250605A         | S250805A | S250805 | S251505 |
|-------------------------|------------------|----------|---------|---------|
| Position number         | 2 Position 5 Way |          |         |         |
| Fluid                   | Compressed air   |          |         |         |
| Port size(G)            | G1/8"            | G1/4"    |         | G1/2"   |
| Working pressure(MPa)   | 0~0.8            |          |         |         |
| Ambient temperature(°C) | -5~60            |          |         |         |

### How to order:



S25

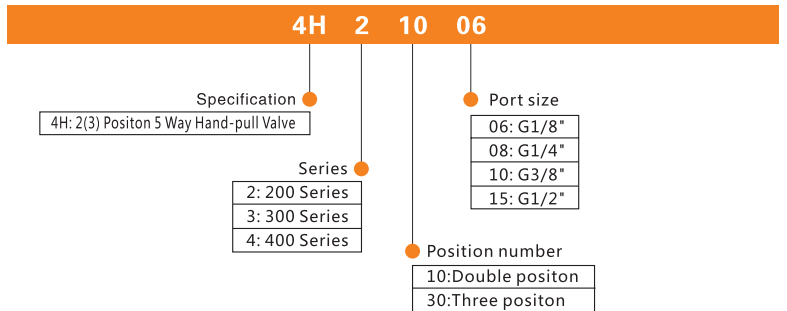
## Hand-pull Valve



### Specification:

| Type                    | 4H210-06                       | 4H210-08                          | 4H260-08         | 4H230-08 | 4H310-08                     | 4H310-10                          | 4H330-10         | 4H410-15                     | 4H430-15         |  |
|-------------------------|--------------------------------|-----------------------------------|------------------|----------|------------------------------|-----------------------------------|------------------|------------------------------|------------------|--|
| Position number         | 2 Position 5 Way               |                                   | 3 Position 5 Way |          | 2 Position 5 Way             |                                   | 3 Position 5 Way |                              | 3 Position 5 Way |  |
| Fluid                   | Compressed air                 |                                   |                  |          |                              |                                   |                  |                              |                  |  |
| Acting type             | Directly                       |                                   |                  |          |                              |                                   |                  |                              |                  |  |
| Port size(G)            | input, output, exhausted=G1/8" | input, output=G1/4" exhaust=G1/8" |                  |          | input, output, exhaust=G1/4" | input, output=G3/8" exhaust=G1/4" |                  | input, output, exhaust=G1/2" |                  |  |
| Working pressure(MPa)   | 0~0.8                          |                                   |                  |          |                              |                                   |                  |                              |                  |  |
| Ambient temperature(°C) | -5~60                          |                                   |                  |          |                              |                                   |                  |                              |                  |  |

### How to order:

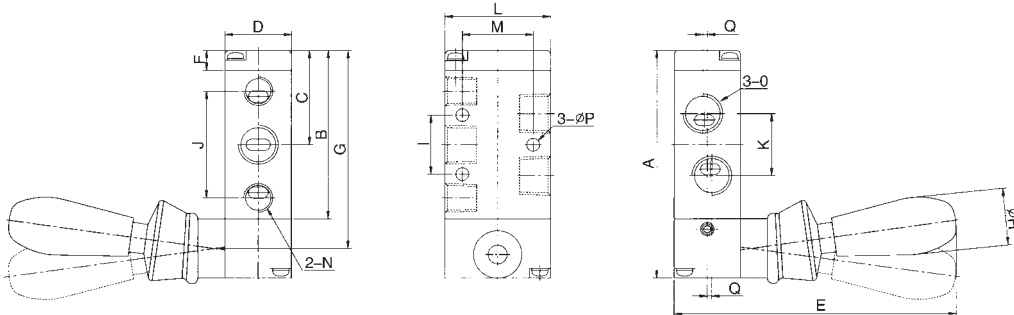


### Symbol:



4H

### Dimension(mm):



| Type/Symbol | 4H210-08(06) | 4H230-08(06)<br>(Auto-reset) | 4H260-08 | 4H310-10(08) | 4H330-10(08)<br>(Auto-reset) | 4H410-15 | 4H430-15<br>(Auto-reset) |
|-------------|--------------|------------------------------|----------|--------------|------------------------------|----------|--------------------------|
| A           | 80.5         | 95                           | 84.5     | 96           | 115                          | 126      | 147                      |
| B           | 56.5         | 75.5                         | 56.5     | 72           | 91                           | 102      | 123                      |
| C           | 31.5         | 31.5                         | 31.5     | 40           | 60                           | 55.5     | 76.5                     |
| D           | 22           | 22                           | 26       | 27           | 27                           | 34       | 34                       |
| E           | 95           | 95                           | 95       | 100          | 100                          | 110      | 110                      |
| F           | 6.5          | 6.5                          | 6.5      | 7.5          | 7.5                          | 7.5      | 7.5                      |
| G           | 66.5         | 85.5                         | 72.5     | 84           | 103                          | 114      | 135                      |
| H           | 18           | 18                           | 21       | 18           | 18                           | 18       | 18                       |
| I           | 20           | 20                           | 21       | 24           | 24                           | 28       | 28                       |
| J           | 36           | 36                           | 37       | 45           | 45                           | 63       | 63                       |
| K           | 21           | 21                           | 23       | 24           | 24                           | 36       | 36                       |
| L           | 35           | 35                           | 35       | 40           | 40                           | 50       | 50                       |
| M           | 21           | 21                           | -        | 27           | 27                           | 35       | 35                       |
| N           | G1/8         | G1/8                         | G1/8     | G3/8         | G3/8                         | G1/2     | G1/2                     |
| O           | G1/4(G1/8)   | G1/4(G1/8)                   | G1/4     | G3/8(G1/4)   | G3/8(G1/4)                   | G1/2     | G1/2                     |
| P           | 4.3          | 4.3                          | 4.2      | 4.3          | 4.3                          | 5.5      | 5.5                      |
| Q           | 1.5(-)       | 1.5(-)                       | -        | 2(-)         | 2(-)                         | -        | -                        |

## Hand Valve

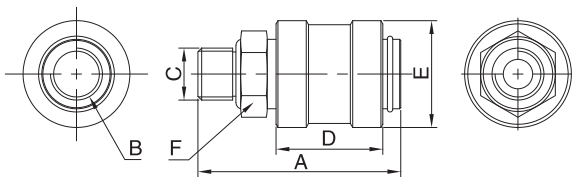


### Symbol:

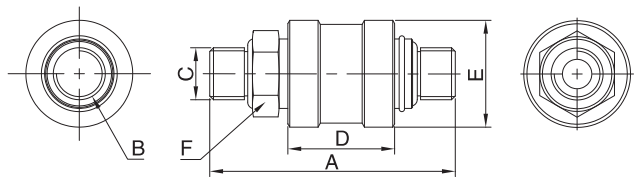


### Dimension(mm):

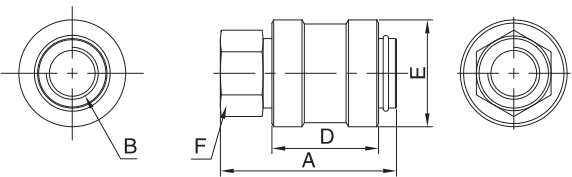
#### Standard type



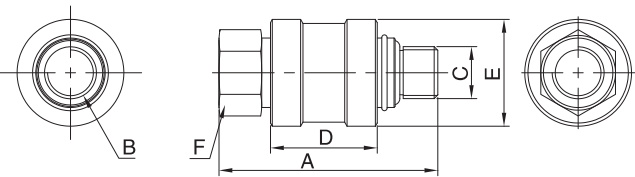
#### Double male thread type



#### Double female thread type



#### Male and female



| Type        | A                                   |  | B     | C     | D  | E    | F  |
|-------------|-------------------------------------|--|-------|-------|----|------|----|
|             | Standard type, double female thread | Double male thread, Male and female thread |       |       |    |      |    |
| HSV, HSN-06 | 38                                  | 46   | G1/8" | G1/8" | 20 | 20   | 14 |
| HSV, HSN-08 | 58                                  | 68   | G1/4" | G1/4" | 32 | 26   | 18 |
| HSV, HSN-10 | 58                                  | 69   | G3/8" | G3/8" | 32 | 32.5 | 22 |
| HSV, HSN-15 | 80                                  | 93   | G1/2" | G1/2" | 40 | 38.5 | 27 |
| HSV, HSN-20 | 85                                  | 101  | G5/8" | G5/8" | 45 | 46.5 | 34 |
| HSV, HSN-25 | 85                                  | 101  | G3/4" | G3/4" | 45 | 51   | 38 |

### Specification:

| Type                   | HSV-06<br>HSN-06 | HSV-08<br>HSN-08 | HSV-10<br>HSN-10 | HSV-15<br>HSN-15 | HSV-20<br>HSN-20 | HSV-25<br>HSN-25 |
|------------------------|------------------|------------------|------------------|------------------|------------------|------------------|
| Port size(G)           | 1/8"             | 1/4"             | 3/8"             | 1/2"             | 3/4"             | 1"               |
| Fluid                  | Compressed air   |                  |                  |                  |                  |                  |
| Working pressure(MPa)  | 0.2~0.8          |                  |                  |                  |                  |                  |
| Ambient temperature °C | -5~60            |                  |                  |                  |                  |                  |

### How to order:

**HSV 08 SS**

- Specification**
  - HSV: Male thread Hand Valve
  - HSN: Female thread Hand Valve
- Thread type**
  - Blank: Standard type
  - SS: Double male thread
  - FF: Double female thread
  - SF: Male and female thread
- Port size**
  - 06: 1/8"
  - 08: 1/4"
  - 10: 3/8"
  - 15: 1/2"
  - 20: 5/8"
  - 25: 3/4"



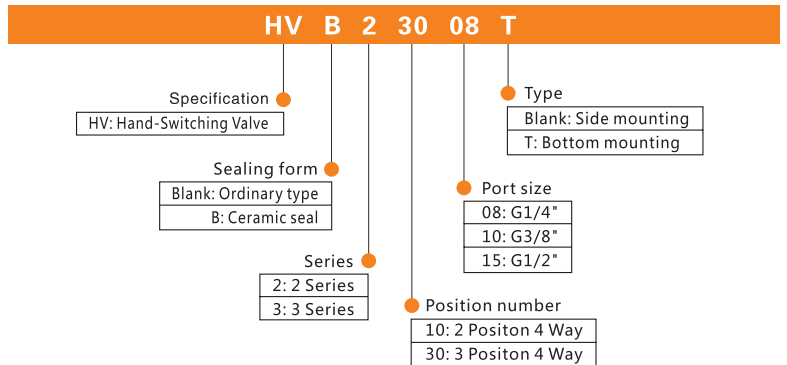
## Hand-Switching Valve



### Specification:

| Type                    | HV2□□-08                        | HV3□□-08 | HV3□□-10 | HV3□□-15 |
|-------------------------|---------------------------------|----------|----------|----------|
| Position number         | 2 Positon 4 Way/3 Positon 4 Way |          |          |          |
| Fluid                   | Compressed air                  |          |          |          |
| Port size(G)            | G1/4"                           |          | G3/8"    | G1/2"    |
| Working pressure(MPa)   | 0~0.8                           |          |          |          |
| Ambient temperature(°C) | -5~60                           |          |          |          |
| Operating angle         | 90°                             |          |          |          |

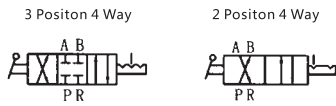
### How to order:



### Symbol:

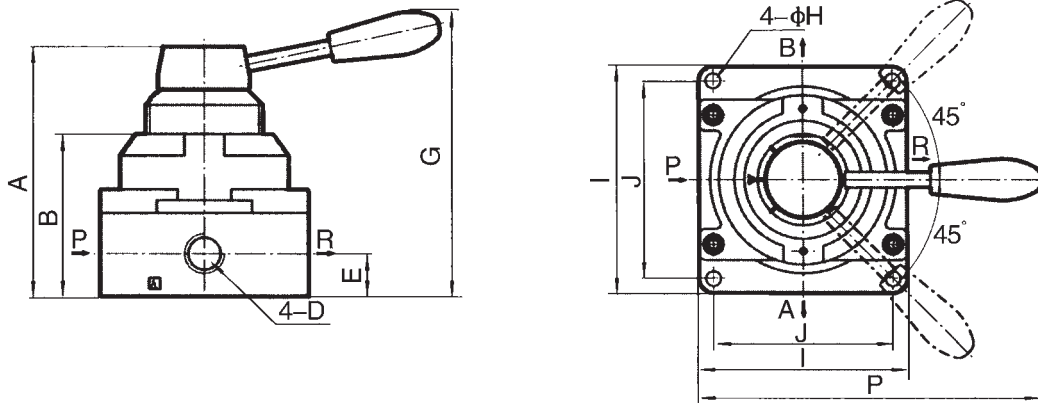


HV



### Dimension(mm):

#### Panel mounting type



| Type     | A    | B  | D    | E    | G    | H   | I  | J  | P   |
|----------|------|----|------|------|------|-----|----|----|-----|
| HV2□□-08 | 72.6 | 45 | G1/4 | 11.5 | 92.5 | 5   | 62 | 49 | 120 |
| HV3□□-08 | 88.5 | 56 | G1/4 | 13.5 | 104  | 6.6 | 74 | 62 | 140 |
| HV3□□-10 | 88.5 | 56 | G3/8 | 13.5 | 104  | 6.6 | 74 | 62 | 140 |
| HV3□□-15 | 88.5 | 56 | G1/2 | 13.5 | 104  | 6.6 | 74 | 62 | 140 |



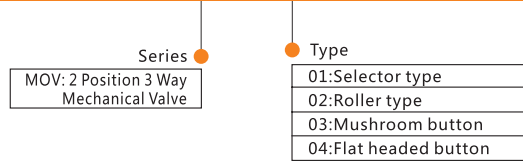
## Mechanical Valve

### Specification:

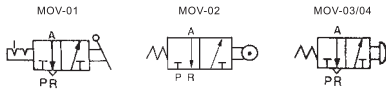
| Type                    | MOV-01         | MOV-02 | MOV-03 | MOV-04 |
|-------------------------|----------------|--------|--------|--------|
| Fluid                   | Compressed air |        |        |        |
| Port size(G)            | G1/8"          |        |        |        |
| Working pressure(MPa)   | 0~0.8          |        |        |        |
| Ambient temperature(°C) | -5~60          |        |        |        |

### How to order:

## MOV 01

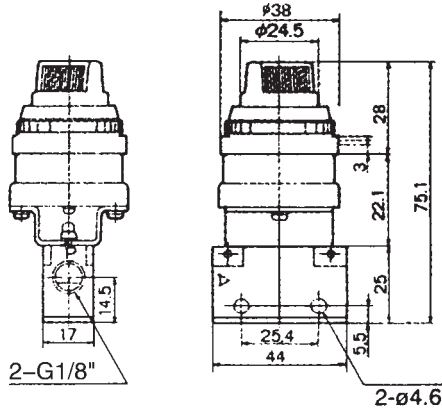


### Symbol:

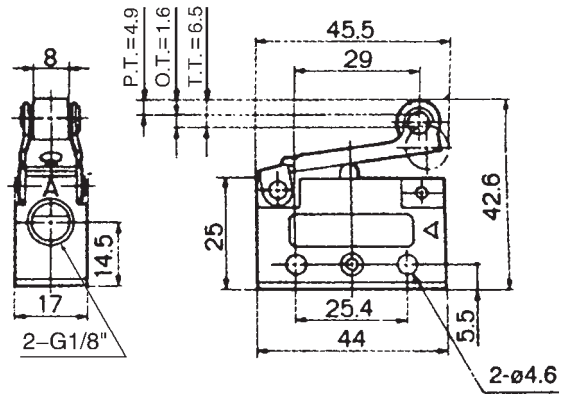


### Dimension(mm):

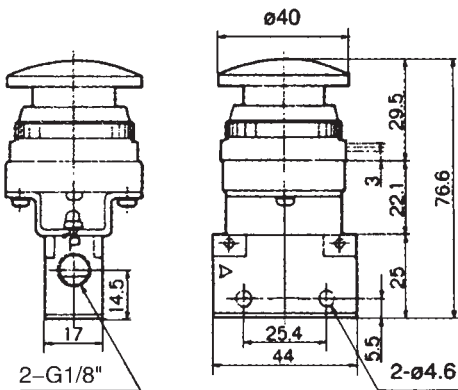
#### MOV-01



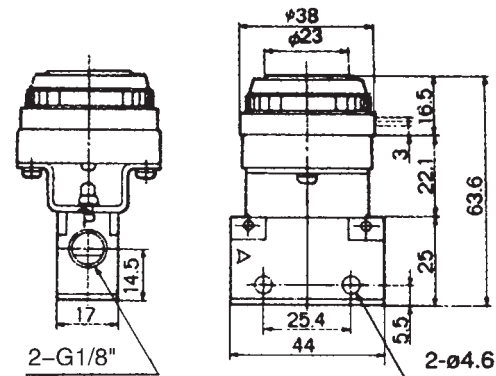
#### MOV-02



#### MOV-03



#### MOV-04



MOV

## Mechanical Valve



### Specification:

| Type                    | JM-01          | JM-02 | JM-03 | JM-04 |
|-------------------------|----------------|-------|-------|-------|
| Fluid                   | Compressed air |       |       |       |
| Port size(G)            | G1/4"          |       |       |       |
| Working pressure(MPa)   | 0~0.8          |       |       |       |
| Ambient temperature(°C) | -5~60          |       |       |       |

### How to order:

**JM 01**

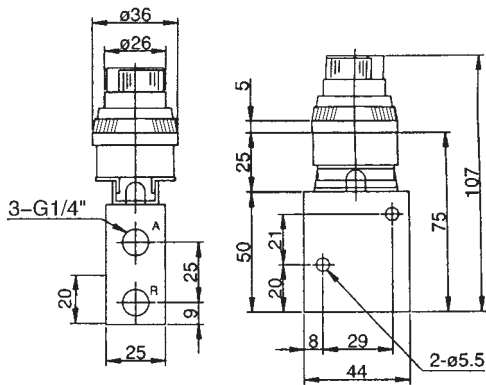
- Series: JM: 2 Position 3 Way Mechanical Valve
- Type:
  - 01: Selector type
  - 02: Roller type
  - 03: Mushroom button
  - 04: Flat headed button

### Symbol:

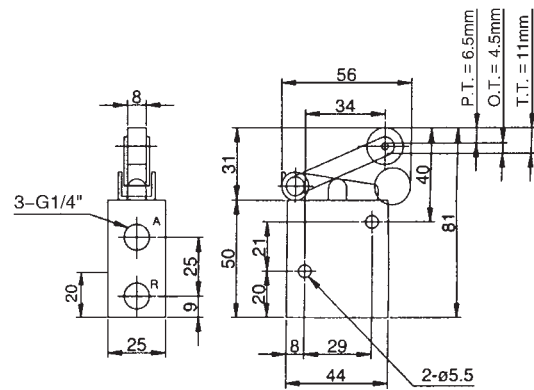


### Dimension(mm):

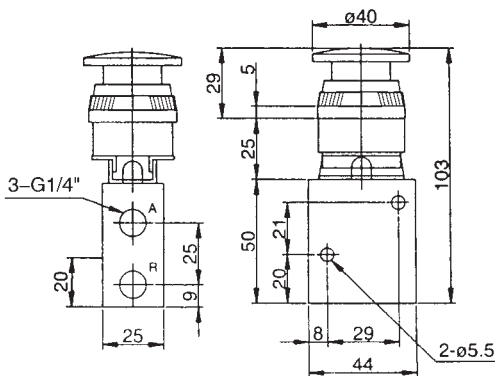
#### JM-01



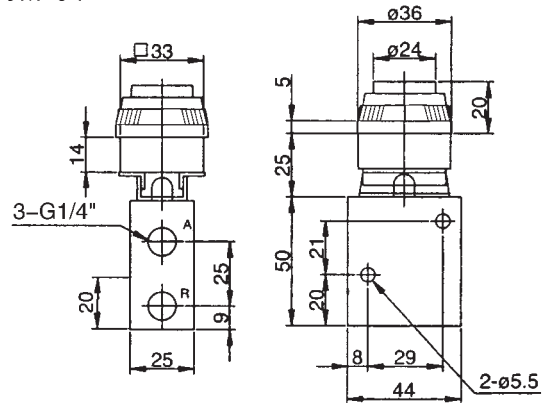
#### JM-02



#### JM-03



#### JM-04



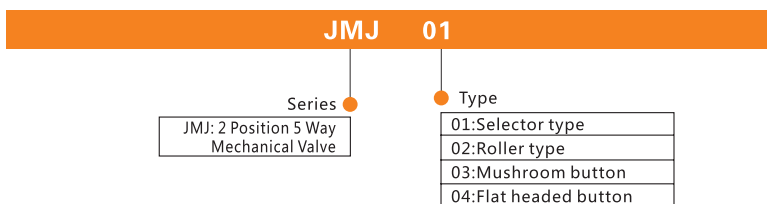
## Mechanical Valve



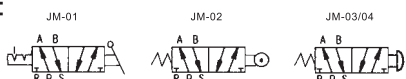
### Specification:

| Type                    | JMJ-01         | JMJ-02 | JMJ-03 | JMJ-04 |
|-------------------------|----------------|--------|--------|--------|
| Fluid                   | Compressed air |        |        |        |
| Port size(G)            | G1/4"          |        |        |        |
| Working pressure(MPa)   | 0~0.8          |        |        |        |
| Ambient temperature(°C) | -5~60          |        |        |        |

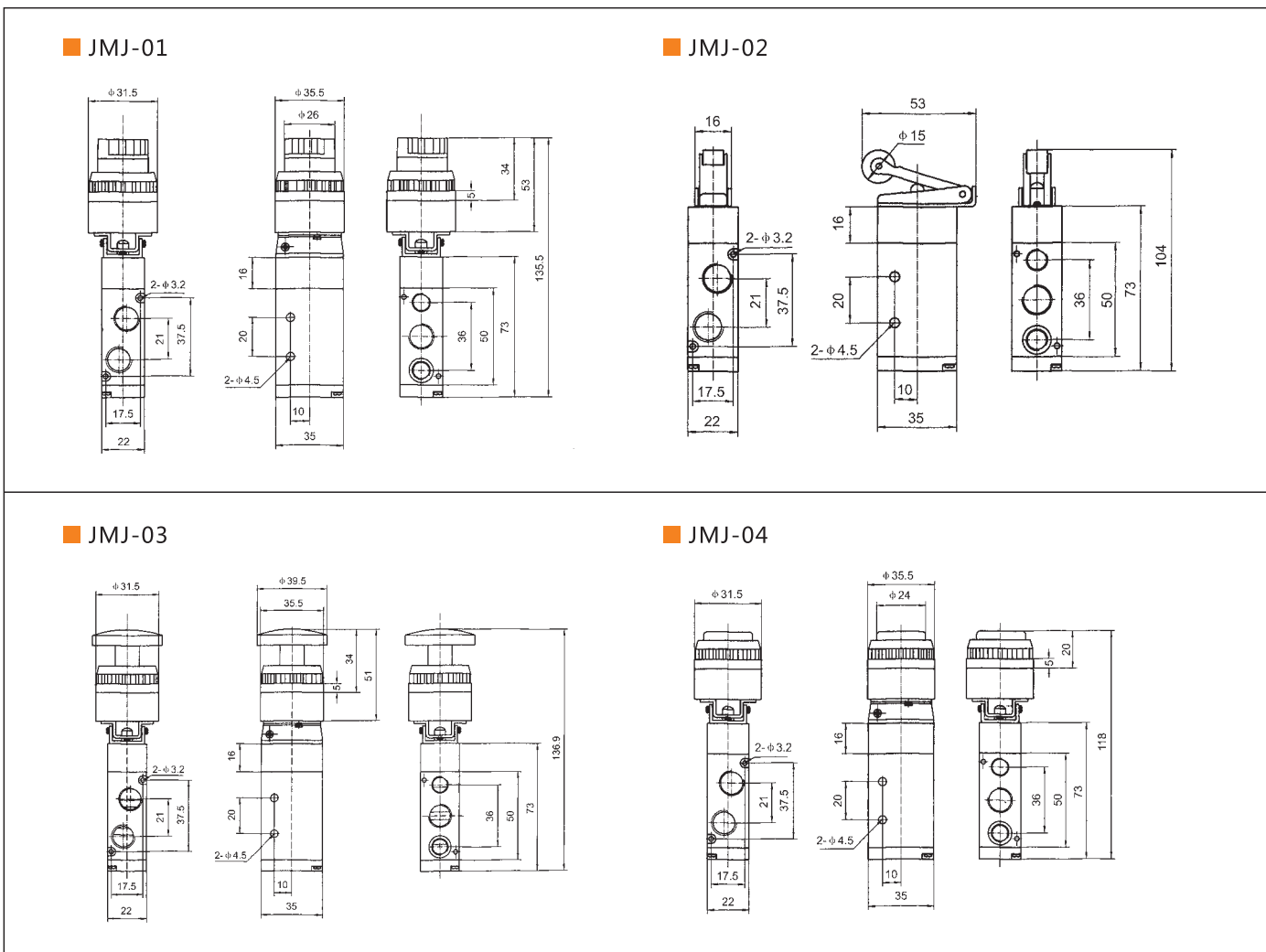
### How to order:



### Symbol:



### Dimension(mm):



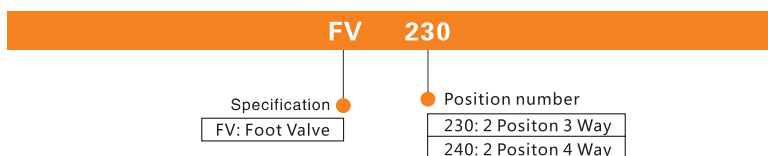
## Foot Valve



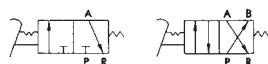
### Specification:

| Type                    | FV230            | FV240            |
|-------------------------|------------------|------------------|
| Position number         | 2 Position 3 Way | 2 Position 4 Way |
| Fluid                   | Compressed air   |                  |
| Port size(G)            | G1/4"            |                  |
| Working pressure(MPa)   | 0~0.8            |                  |
| Ambient temperature(°C) | -5~60            |                  |

### How to order:



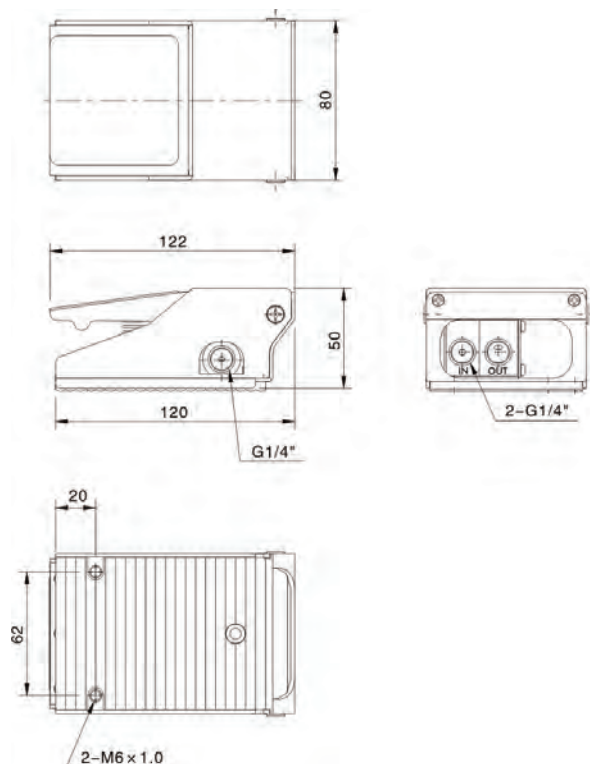
### Symbol:



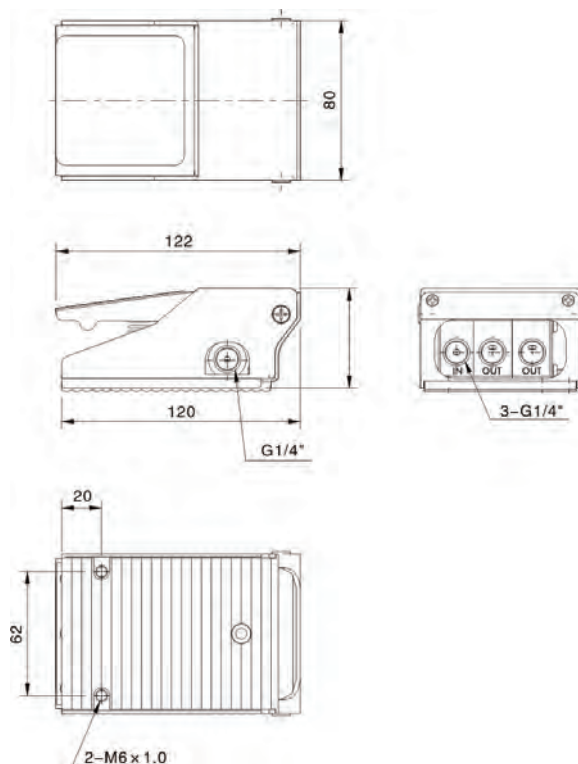
FV

### Dimension(mm):

#### FV230



#### FV240



## Foot Valve

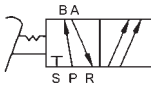


### Specification:

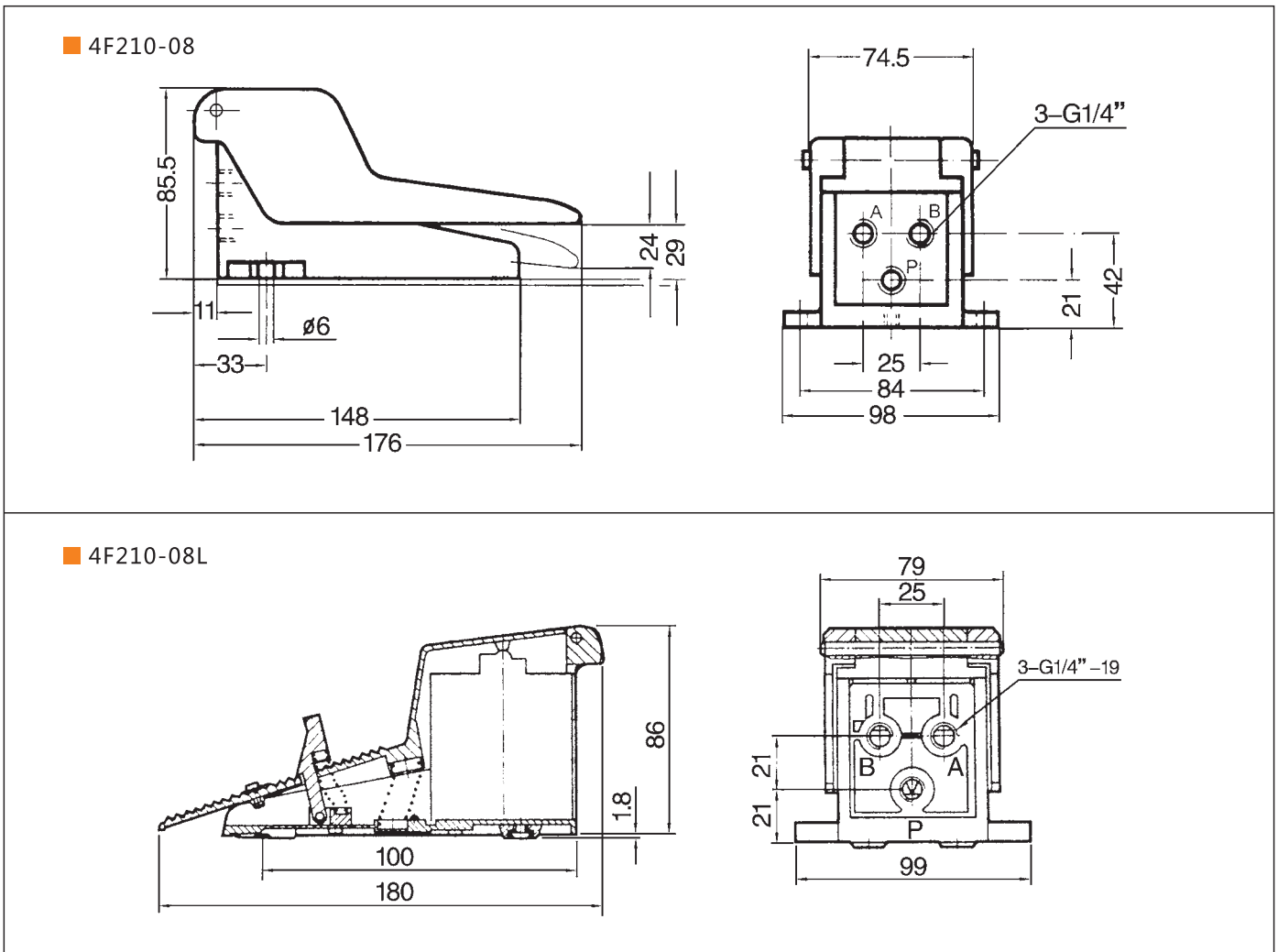
| Type                    | 4F210-08          | 4F210-08L | 4F210-08G | 4F210-08LG |
|-------------------------|-------------------|-----------|-----------|------------|
| Fluid                   | Compressed air    |           |           |            |
| Port size(G)            | G1/4"             |           |           |            |
| Acting type             | Directly operated |           |           |            |
| Working pressure(MPa)   | 0~0.8             |           |           |            |
| Ambient temperature(°C) | -5~60             |           |           |            |

### How to order:

### Symbol:



### Dimension(mm):

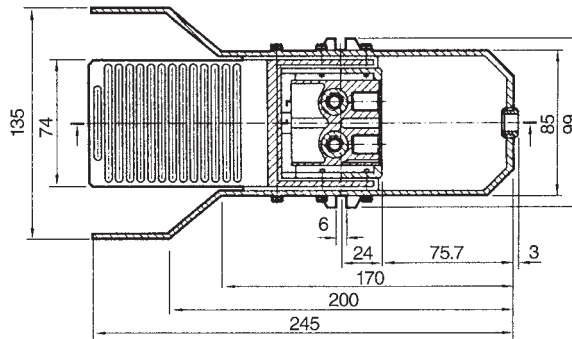
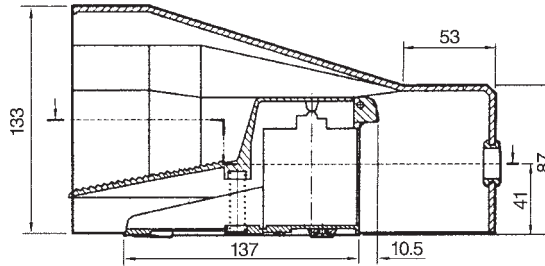
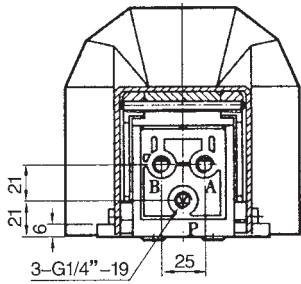


4F

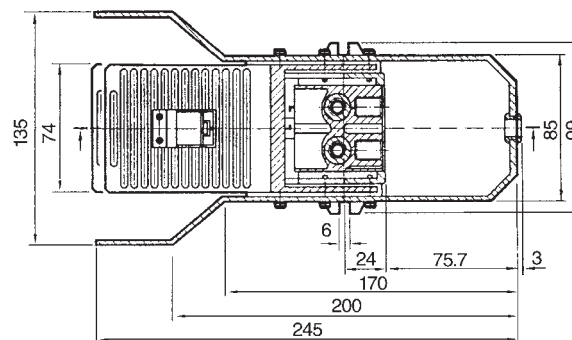
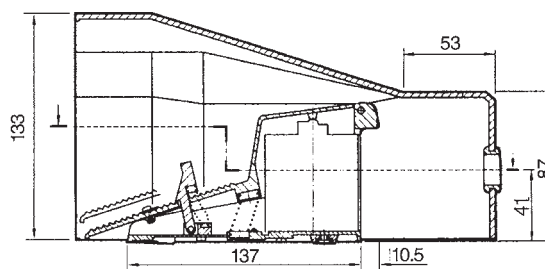
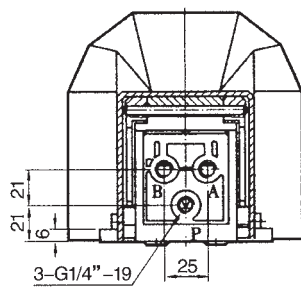
## Foot Valve

Dimension(mm):

4F210-08G



4F210-08GL



4F

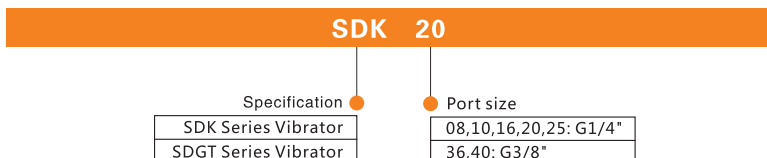
Vibrator



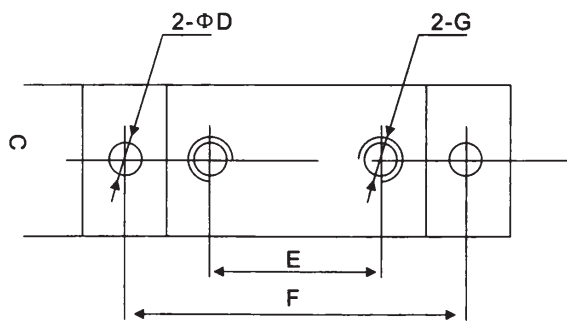
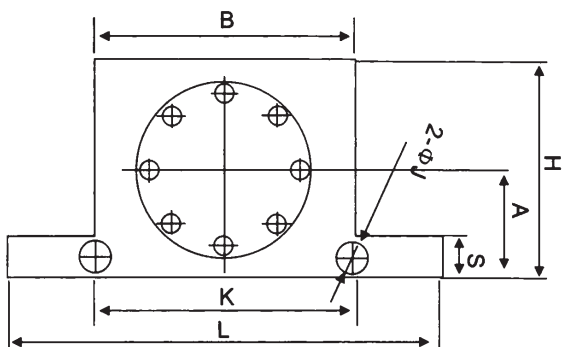
Specification:

| Type                    | SDK-08   | SDK-10 | SDK-16 | SDK-20  | SDK-25  | SDK-36  | -       |
|-------------------------|----------|--------|--------|---------|---------|---------|---------|
|                         |          | -      | -      | SDGT-16 | SDGT-20 | SDGT-25 | SDGT-36 |
| Port size(G)            | G1/4"    |        |        |         |         | G3/8"   |         |
| Working pressure(MPa)   | 0.15~0.8 |        |        |         |         |         |         |
| Ambient temperature(°C) | -5~60    |        |        |         |         |         |         |

How to order:



Dimension(mm):



| Type            | L   | H    | S  | B   | C    | D   | E  | F   | G    | J   | K  |
|-----------------|-----|------|----|-----|------|-----|----|-----|------|-----|----|
| SDK-08、SDK-10   | 86  | 50   | 12 | 51  | 21   | 6.5 | 27 | 68  | G1/4 | 6.5 | 39 |
| SDK-16          | 113 | 60.5 | 17 | 66  | 28   | 9   | 40 | 90  | G1/4 | 9   | 50 |
| SDK-20、SDK-25   | 128 | 80   | 17 | 84  | 38   | 9   | 55 | 105 | G1/4 | 9   | 61 |
| SDK-36          | 161 | 100  | 21 | 105 | 50   | 11  | 72 | 130 | G3/8 | 11  | 80 |
| SDGT-16         | 113 | 65.5 | 17 | 66  | 42.5 | 9   | 40 | 90  | G1/4 | -   | -  |
| SDGT-20、SDGT-25 | 128 | 80   | 17 | 84  | 57   | 9   | 55 | 105 | G1/4 | -   | -  |
| SDGT-36         | 161 | 100  | 21 | 105 | 73   | 11  | 72 | 130 | G3/8 | -   | -  |
| SDGT-40         | 195 | 122  | 21 | 120 | 80   | 18  | 83 | 151 | G3/8 | -   | -  |

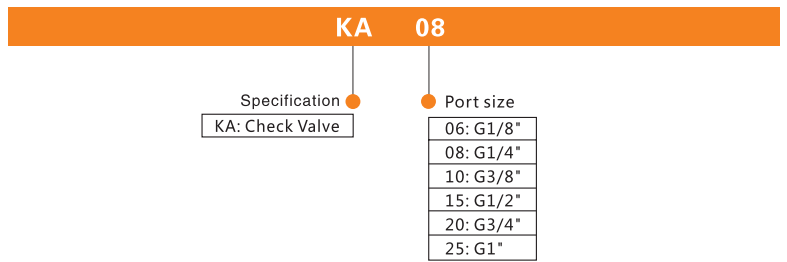
## Check Valve



### Specification:

| Type                    | KA-06          | KA-08 | KA-10 | KA-15 | KA-20 | KA-25 |
|-------------------------|----------------|-------|-------|-------|-------|-------|
| Calibre Code            | 06             | 08    | 10    | 15    | 20    | 25    |
| Port size(G)            | G1/8"          | G1/4" | G3/8" | G1/2" | G3/4" | G1"   |
| Fluid                   | Compressed air |       |       |       |       |       |
| Working pressure(MPa)   | 0.1~0.8        |       |       |       |       |       |
| Ambient temperature(°C) | -5~60          |       |       |       |       |       |

### How to order:

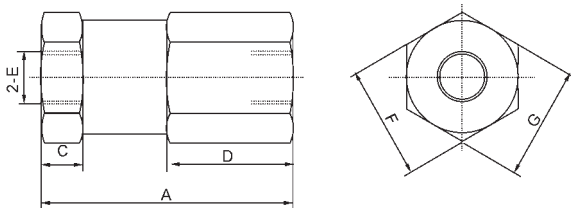


### Symbol:

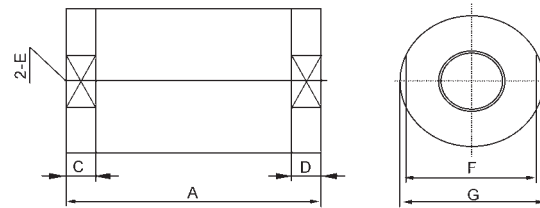


### Dimension(mm):

#### KA-06, 08



#### KA-10, 15, 20, 25



| Type  | A    | C | D  | E     | F  | G   |
|-------|------|---|----|-------|----|-----|
| KA-06 | 48   | 8 | 24 | G1/8" | 21 | 21  |
| KA-08 | 48   | 8 | 24 | G1/4" | 21 | 21  |
| KA-10 | 68.5 | 8 | 8  | G3/8" | 32 | Φ35 |
| KA-15 | 68.5 | 8 | 8  | G1/2" | 32 | Φ35 |
| KA-20 | 95.5 | 8 | 8  | G3/4" | 47 | Φ50 |
| KA-25 | 95.5 | 8 | 8  | G1"   | 47 | Φ50 |



## Quick Exhaust Valve



### Specification:

| Type                    | SE-06          | SE-08 | SE-10 | SE-15 | SE-20 | SE-25 |
|-------------------------|----------------|-------|-------|-------|-------|-------|
| Calibre Code            | 06             | 08    | 10    | 15    | 20    | 25    |
| Port size(G)            | G1/8"          | G1/4" | G3/8" | G1/2" | G3/4" | G1"   |
| Fluid                   | Compressed air |       |       |       |       |       |
| Working pressure(MPa)   | 0.2~0.8        |       |       |       |       |       |
| Ambient temperature(°C) | -5~60          |       |       |       |       |       |

### How to order:

**SE 06**

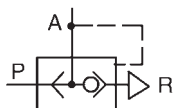
● Specification

SE: Quick Exhaust Valve

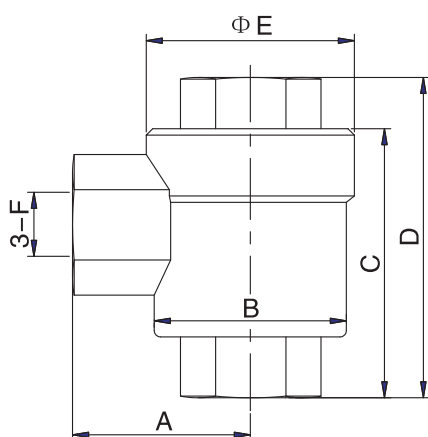
● Port size

|           |
|-----------|
| 06: G1/8" |
| 08: G1/4" |
| 10: G3/8" |
| 15: G1/2" |
| 20: G3/4" |
| 25: 1"    |

### Symbol:



### Dimension(mm):



| Type  | A  | B  | C   | D   | E   | F     |
|-------|----|----|-----|-----|-----|-------|
| SE-06 | 27 | 30 | 42  | 50  | Φ32 | G1/8" |
| SE-08 | 27 | 30 | 42  | 50  | Φ32 | G1/4" |
| SE-10 | 36 | 41 | 51  | 62  | Φ45 | G3/8" |
| SE-15 | 44 | 48 | 64  | 76  | Φ55 | G1/2" |
| SE-20 | 55 | 66 | 112 | 109 | 72  | G5/8" |
| SE-25 | 55 | 66 | 112 | 109 | 72  | G3/4" |



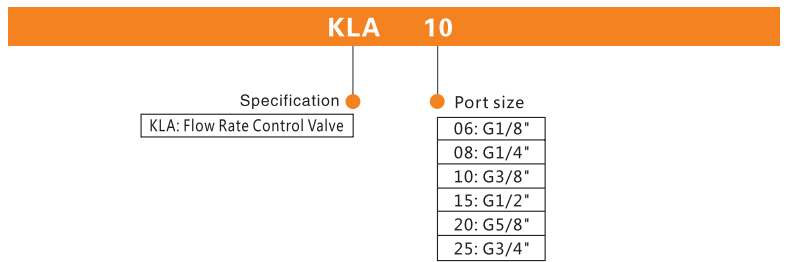
## Flow Rate Control Valve



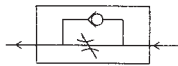
### Specification:

| Type                    | KLA-06         | KLA-08 | KLA-10 | KLA-15 | KLA-20 | KLA-25 |
|-------------------------|----------------|--------|--------|--------|--------|--------|
| Port size(G)            | G1/8"          | G1/4"  | G3/8"  | G1/2"  | G5/8"  | G3/4"  |
| Fluid                   | Compressed air |        |        |        |        |        |
| Working pressure(MPa)   | 0.05~0.8       |        |        |        |        |        |
| Ambient temperature(°C) | -5~60          |        |        |        |        |        |
| Material                | Aluminum alloy |        |        |        |        |        |

### How to order:

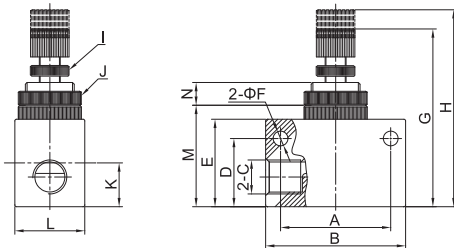


### Symbol:

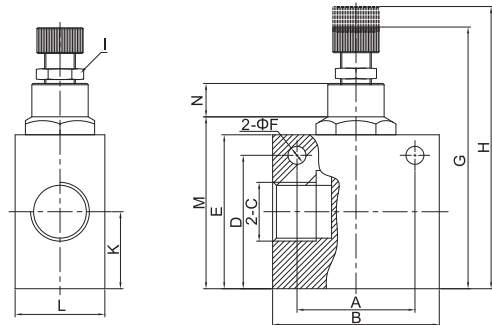


### Dimension(mm):

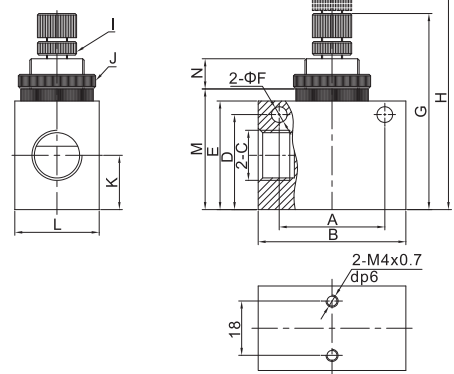
#### KLA-06, 08



#### KLA-20, 25



#### KLA-10, 15



| Type   | A  | B    | C     | D    | E  | F   | G    | H     | I       | J        | K    | L    | M  | N    |
|--------|----|------|-------|------|----|-----|------|-------|---------|----------|------|------|----|------|
| KLA-06 | 30 | 40   | G1/8" | 23   | 26 | 4.3 | 50.8 | 56.3  | M6×0.5  | M12×0.75 | 13.5 | 18   | 30 | 8.6  |
| KLA-08 | 30 | 40   | G1/4" | 23   | 26 | 4.3 | 50.8 | 56.3  | M6×0.5  | M12×0.75 | 13.5 | 18   | 30 | 8.6  |
| KLA-10 | 35 | 48.5 | G3/8" | 32   | 36 | 5.3 | 65   | 74    | M8×0.75 | M16×1    | 17.5 | 28   | 40 | 10.2 |
| KLA-15 | 35 | 48.5 | G1/2" | 32   | 36 | 5.3 | 65   | 74    | M8×0.75 | M16×1    | 17.5 | 28   | 40 | 10.2 |
| KLA-20 | 46 | 65   | G5/8" | 52   | 60 | 7   | 102  | 110   | M12×1   | -        | 30   | 35   | 67 | 13   |
| KLA-25 | 46 | 65   | G1"   | 52.5 | 60 | 7   | 103  | 112.5 | M12×1   | -        | 30   | 43.5 | 67 | 13   |

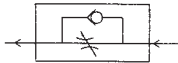
# RE、ST Series Control Valve



## RE Flow Capacity control Valve



### Symbol:



### Dimension(mm):

| Type  | A  | B  | C  | D  | E     | F     | W1 | W2 | W3 |
|-------|----|----|----|----|-------|-------|----|----|----|
| RE-06 | 45 | 19 | 46 | 53 | G1/8" | M14×1 | 11 | 17 | 23 |
| RE-08 | 45 | 19 | 46 | 53 | G1/4" | M14×1 | 11 | 17 | 23 |
| RE-10 | 55 | 25 | 52 | 59 | G3/8" | M18×1 | 11 | 17 | 23 |
| RE-15 | 55 | 25 | 52 | 59 | G1/2" | M18×1 | 11 | 17 | 23 |

### Specification:

| Type                    | RE-06          | RE-08 | RE-10 | RE-15 |
|-------------------------|----------------|-------|-------|-------|
| Port size(G)            | G1/8"          | G1/4" | G3/8" | G1/2" |
| Fluid                   | Compressed air |       |       |       |
| Working pressure(MPa)   | 0.05~0.8       |       |       |       |
| Ambient temperature(°C) | -5~60          |       |       |       |
| Material                | Aluminum alloy |       |       |       |

### How to order:

**RE 06**

Specification ● Port size

RE: Flow Capacity Control Valve

|           |
|-----------|
| 06: G1/8" |
| 08: G1/4" |
| 10: G3/8" |
| 15: G1/2" |

## ST Shuttle Valve



### Dimension(mm):

ST-06, 08

### Specification:

| Type                    | ST-06          | ST-08 |
|-------------------------|----------------|-------|
| Port size(G)            | G1/8"          | G1/4" |
| Fluid                   | Compressed air |       |
| Operating pressure(Mpa) | 0.05~0.8       |       |
| Ambient temperature(°C) | -5~60          |       |

### How to order:

**ST 06**

Specification ● Port size

ST: Shuttle Valve

|           |
|-----------|
| 06: G1/8" |
| 08: G1/4" |