

Filter+Regulator+Lubricator



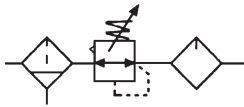
Specification:

Type	DC100-M5, 01	DC200-01, 02, 03	DC400-03, 04, 06	DC600-06, 08
Port size(G)	M5 · 1/8"	1/8" · 1/4" · 3/8"	3/8" · 1/2" · 3/4"	3/4" · 1"
Gauge thread(G)	M5	1/8"	1/4"	
Fluid	Compressed air			
Operating pressure range(MPa)	0.15~0.85	0.15~1.2		
Max.Flow rate(L/min)	500	1700	3500	11500
Ambient temperature(°C)	-10~60			
Filter precision	5µm or 40µm			
Cup material	Polycarbonate			
Guard cup	-	•	•	•



DC

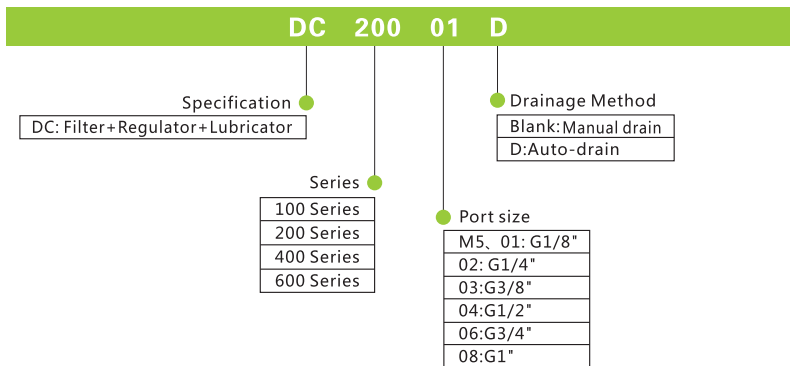
Symbol:



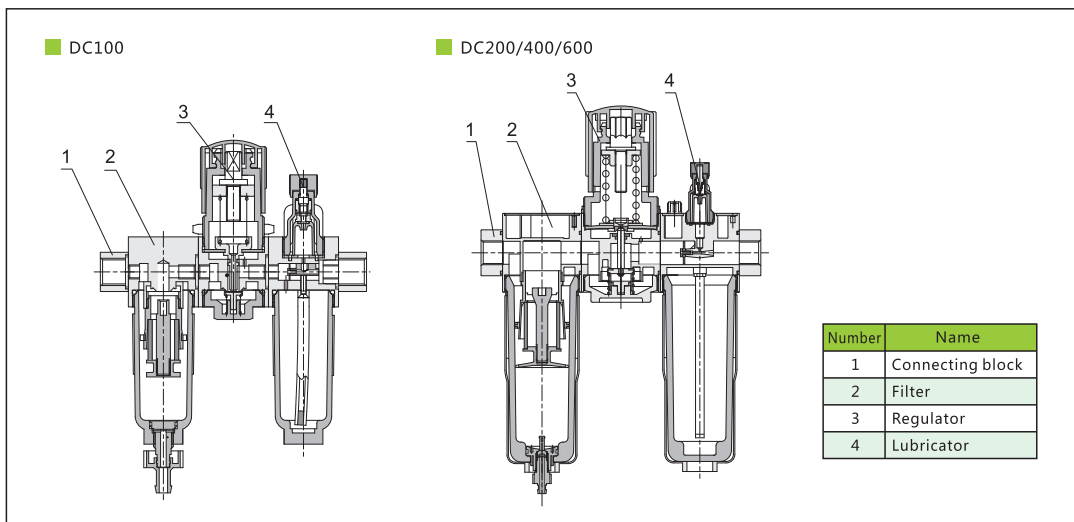
Product feature:

- 1.Oil dripping adopts the clearance seal to stabilize oil feeding.
- 2.Oil feeding is linear distribution and the quantity of oil is visible.
- 3.It can keep refueling without stops.
- 4.Fixed connection is fast reliable and easy for installation and using. Pressure adjust is stable and with high repeat precision.
- 5.High efficiency of removing water and solid particle.
- 6.Manual, differential pressure and automatic drain ways are optional.

How to order:



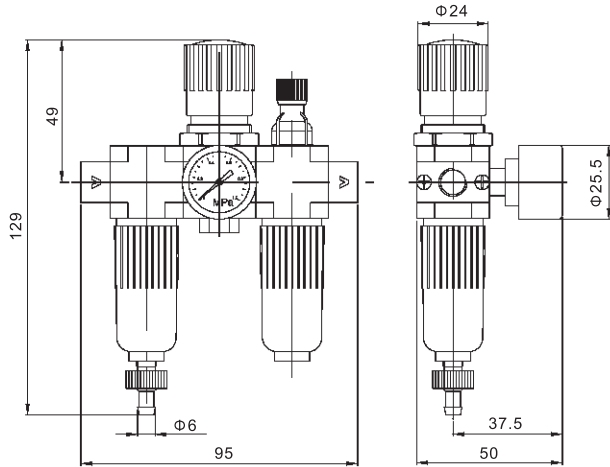
Inner structure drawing:



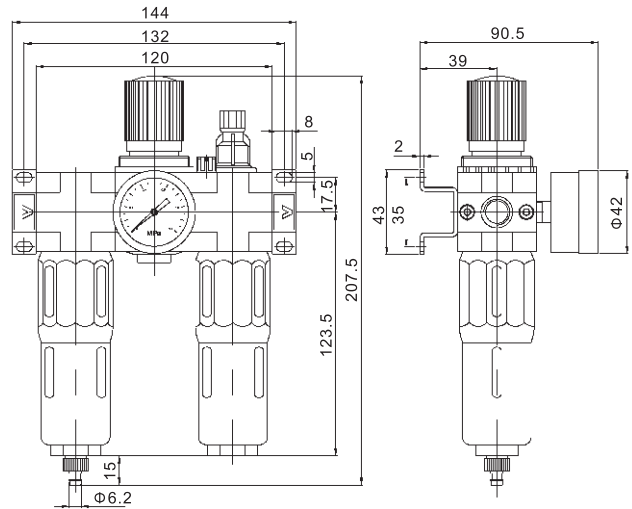
Filter+Regulator+Lubricator

Dimension(mm):

DC100-M5、01

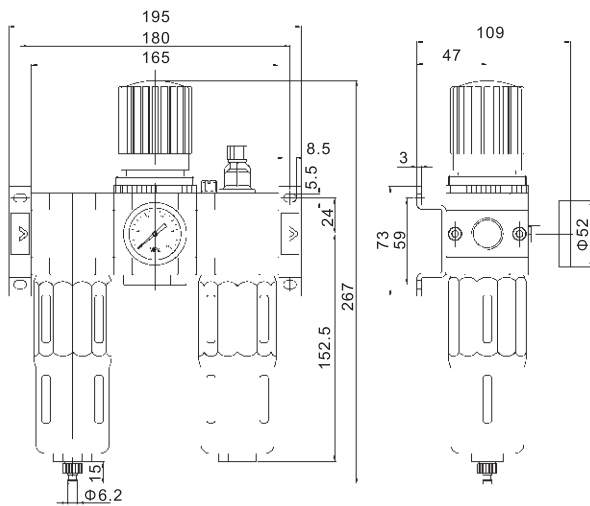


DC200-01、02、03

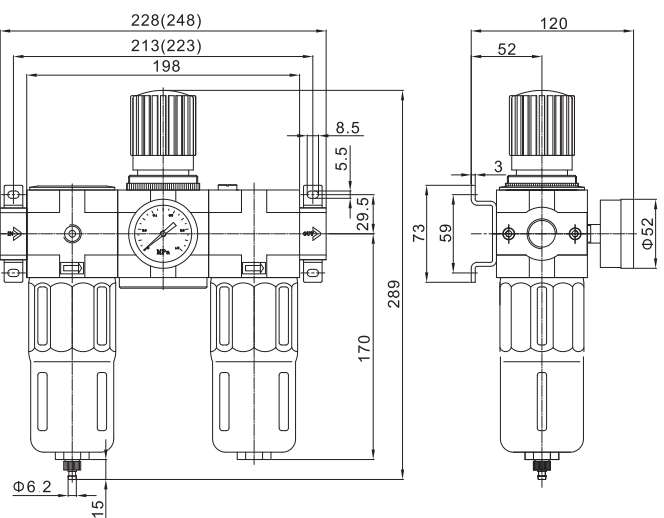


Note: The interface of M5 is without connecting block.

DC400-03、04、06



DC600-06、08



Filter Regulator+Lubricator

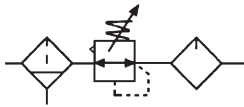


Specification:

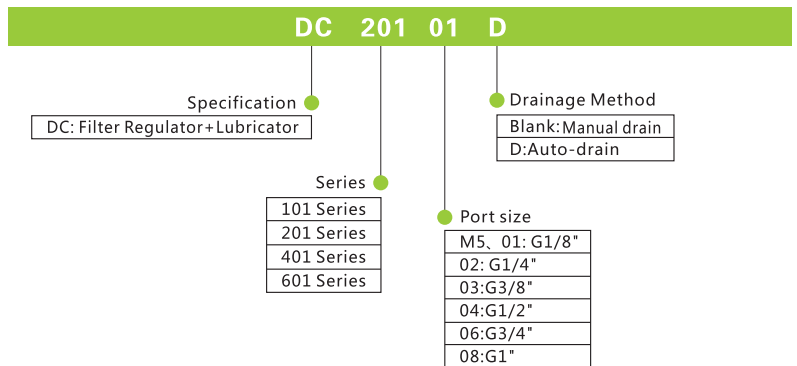
Type	DC101-M5, 01	DC201-01, 02, 03	DC401-03, 04, 06	DC601-06, 08
Port size(G)	M5 · 1/8"	1/8" · 1/4" · 3/8"	3/8" · 1/2" · 3/4"	3/4" · 1"
Gauge thread(G)	M5	1/8"	1/4"	
Fluid	Compressed air			
Operating pressure range(MPa)	0.15~0.85	0.15~1.2		
Max.Flow rate(L/min)	500	1700	3500	11500
Ambient temperature(°C)	-10~60			
Filter precision	5µm or 40µm			
Cup material	Polycarbonate			
Guard cup	-	•	•	•



Symbol:



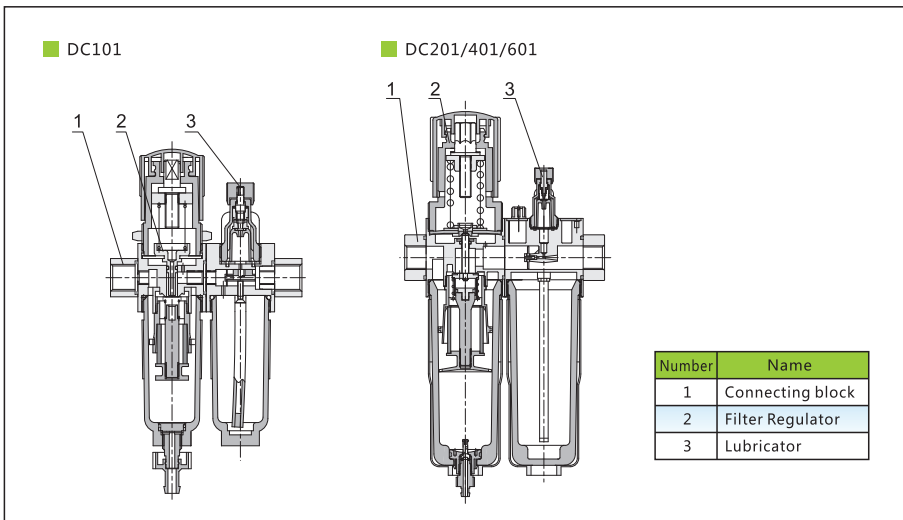
How to order:



Product feature:

- 1.Oil dripping adopts the clearance seal to stabilize oil feeding.
- 2.Oil feeding is linear distribution and the quantity of oil is visible.
- 3.It can keep refueling without stops.
- 4.Fixed connection is fast reliable and easy for installation and using. Pressure adjust is stable and with high repeat precision.
- 5.High efficiency of removing water and solid particle.
- 6.Manual, differential pressure and automatic drain ways are optional.

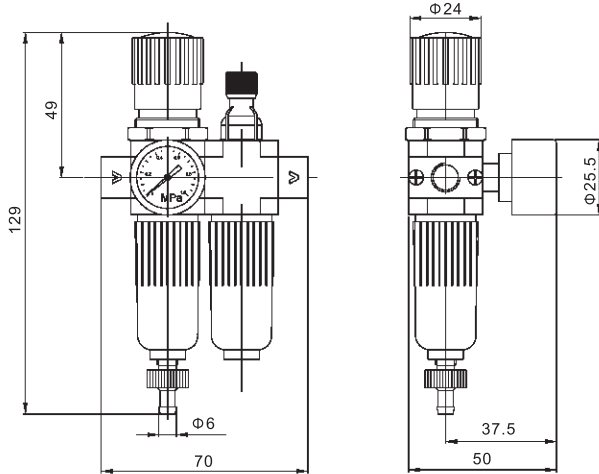
Inner structure drawing:



Filter Regulator+Lubricator

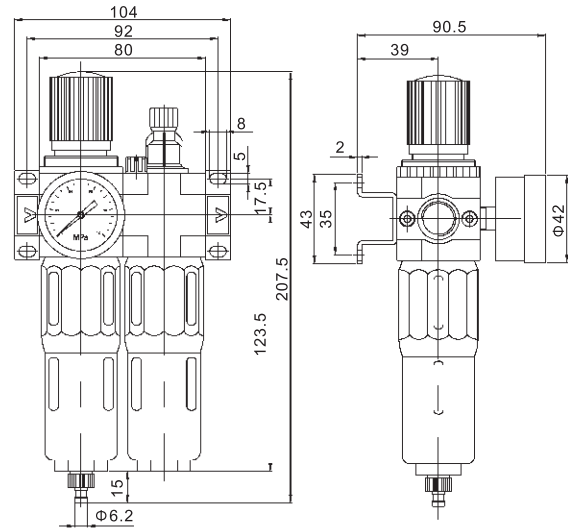
■ Dimension(mm):

■ DC101-M5、01

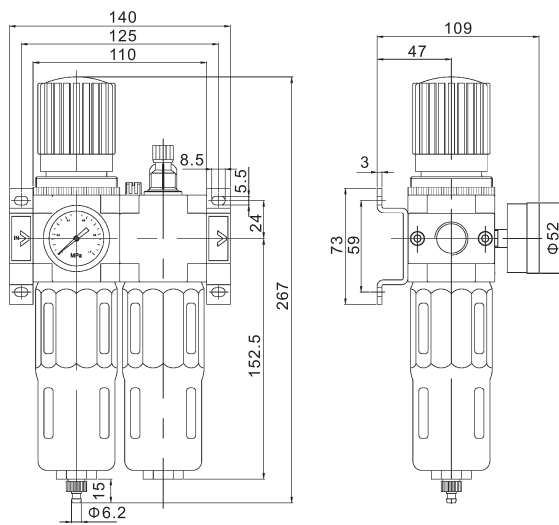


Note: The interface of M5 is without connecting block.

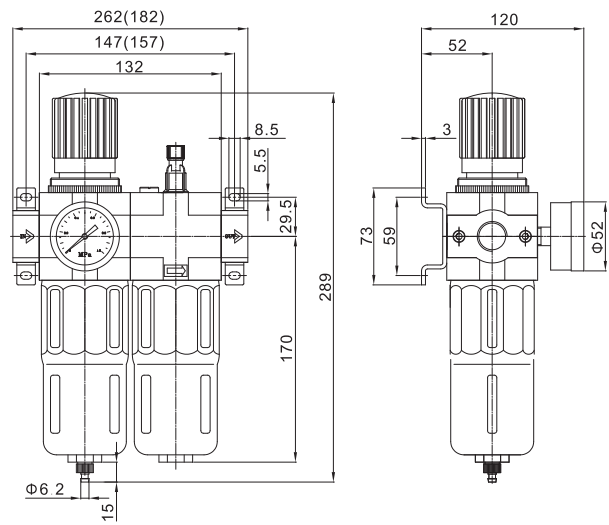
■ DC201-01、02、03



■ DC401-03、04、06



■ DC601-06、08



Filter Regulator



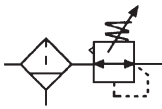
Specification:

Type	DFR100-M5、01	DFR200-01、02、03	DFR400-03、04、06	DFR600-06、08
Port size(G)	M5 · 1/8"	1/8" · 1/4" · 3/8"	3/8" · 1/2" · 3/4"	3/4" · 1"
Gauge thread(G)	M5	1/8"	1/4"	
Fluid	Compressed air			
Operating pressure range(MPa)	0.15~0.7	0.15~1.2		
Max.Flow rate(L/min)	500	1700	3500	11500
Ambient temperature(°C)	-10~60			
Filter precision	5µm or 40µm			
Cup material	Polycarbonate			
Guard cup	-	•	•	•

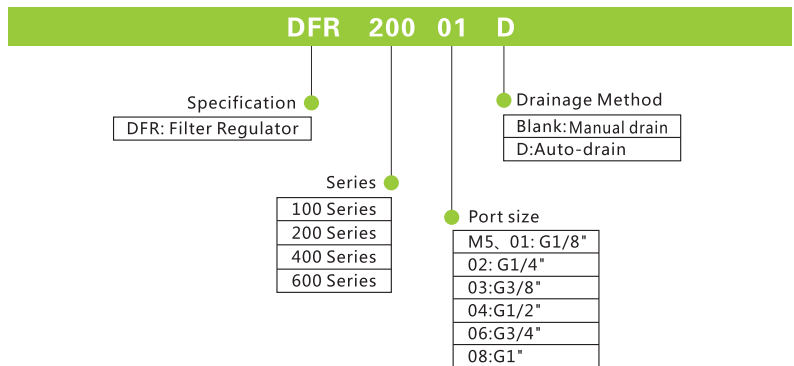


DFR

Symbol:



How to order:



Product feature:

1. Hand wheel adopts the pressed self-locking mechanism to prevent the setting pressure from external disturbance and unusual action.
2. Pressure adjustment mechanism adopts the balance design with more stable adjustment and better characteristic.
3. Special guide structure makes the flowing gases spin properly to separate the water from gas and filter solid particle efficiently.
4. Filter precision 5 or 40 µm is optional.
5. Manual, differential pressure and automatic drain ways are optional.

Inner structure drawing:

DFR100

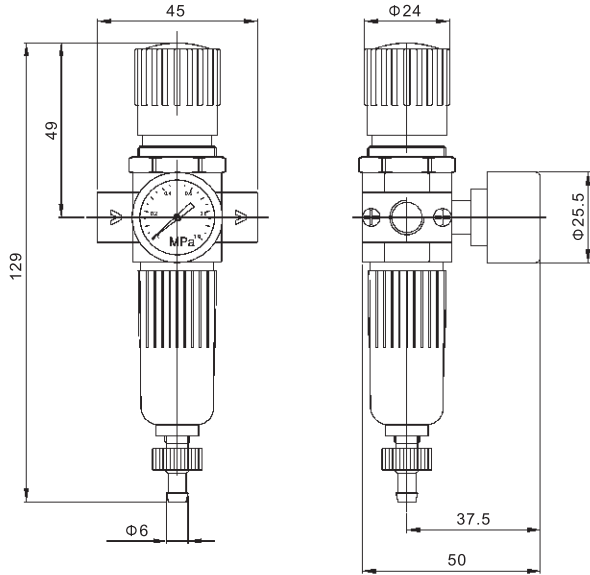
DFR200/400/600

Number	Name	Material
1	Hand wheel	POM
2	Lifting screw	Q235
3	Spring	Spring steel
4	Valve cover	POM
5	Nut	Aluminium
6	Diaphragm	NBR
7	Regulate body	Aluminium(DFR100)Zinc(Other)
8	Connecting block	Aluminium(DFR100)Zinc(Other)
9	Valve core	6061+NBR
10	O-ring	NBR
11	Spring	SUS304
12	Filter core pedestal	POM
13	Filter core	Polypropylene fiber/Bronze sintering particles
14	Impeller	POM
15	Filter core pressing plate	POM
16	Water cup	PC
17	Guard cup	Aluminium
18	Drainer	POM

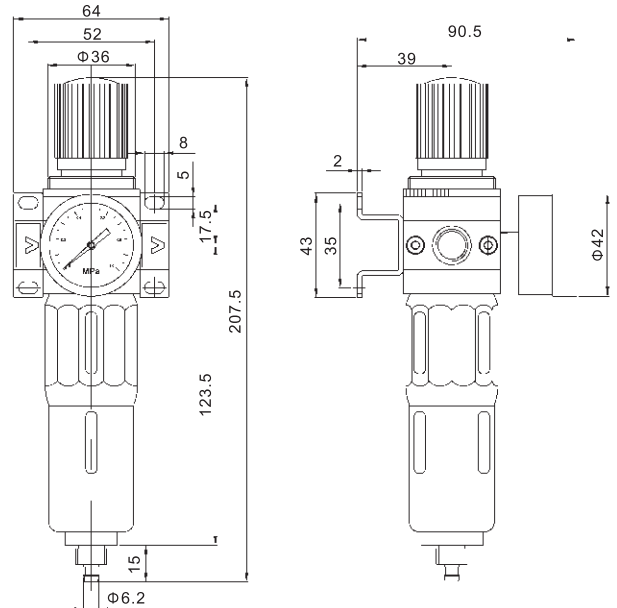
Filter Regulator

Dimension(mm):

DFR100-M5、01

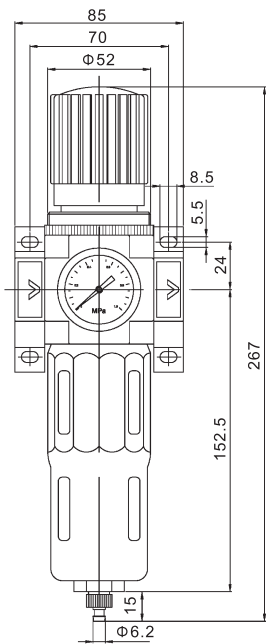


DFR200-01、02、03

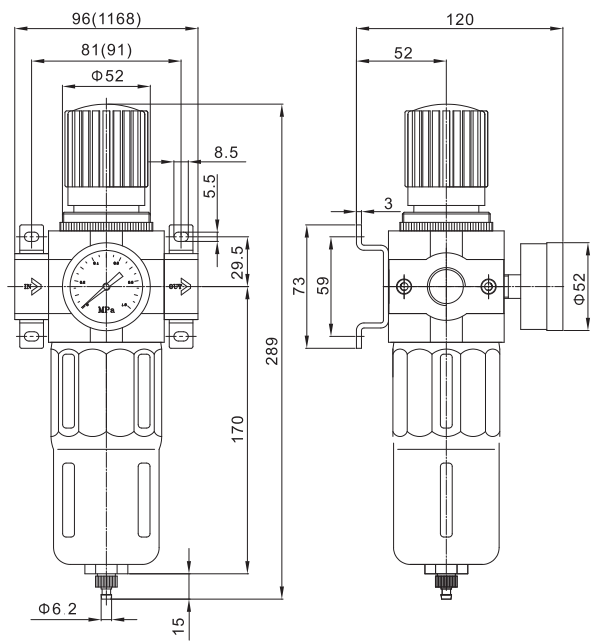


Note: The interface of M5 is without connecting block.

DFR400-03、04、06



DFR600-06、08



Filter



Specification:

Type	DF100-M5, 01	DF200-01, 02, 03	DF400-03, 04, 06	DF600-06, 08
Port size(G)	M5 · 1/8"	1/8" · 1/4" · 3/8"	3/8" · 1/2" · 3/4"	3/4" · 1"
Fluid	Compressed air			
Operating pressure range(MPa)	0.15~0.7	0.15~1.2		
Max.Flow rate(L/min)	500	2000	4000	11500
Ambient temperature(°C)	-10~60			
Filter precision	5µm or 40µm			
Cup material	Polycarbonate			
Guard cup	-	•	•	•



DF

Symbol:



Product feature:

- 1.Special guide structure makes the flowing gases spin properly to separate the water from gas and filter solid particle efficiently.
- 2.Low pressure loss and high division efficiency.
- 3.Filter precision 5 or 40 µm is optional.
- 4.Manual, differential pressure and automatic drain ways are optional.

Inner structure drawing:

DF100

DF200/400/600

Number	Name	Material
1	Regulate body	Aluminium(DFR100)Zinc(Other)
2	Connecting block	Aluminium(DFR100)Zinc(Other)
3	O-ring	NBR
4	Filter core pedestal	POM
5	Filter core	Polypropylene fiber Bronze
6	Impeller	POM
7	Filter core pressing plate	POM
8	Water cup	PC
9	Guard cup	Aluminium
10	Drainer	POM

How to order:

DF 200 01 D

Specification

DF: Filter

Drainage Method

Blank: Manual drain
D: Auto-drain

Series

100 Series
200 Series
400 Series
600 Series

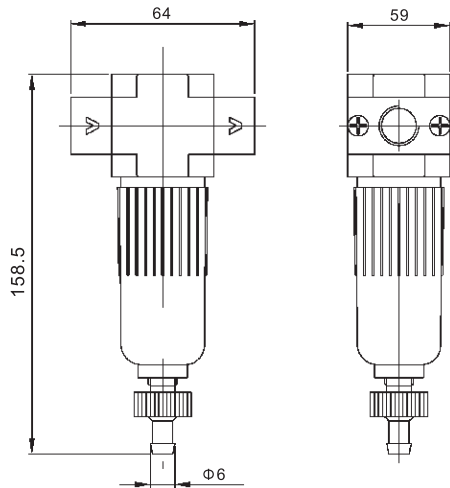
Port size

M5, 01: G1/8"
02: G1/4"
03: G3/8"
04: G1/2"
06: G3/4"
08: G1"

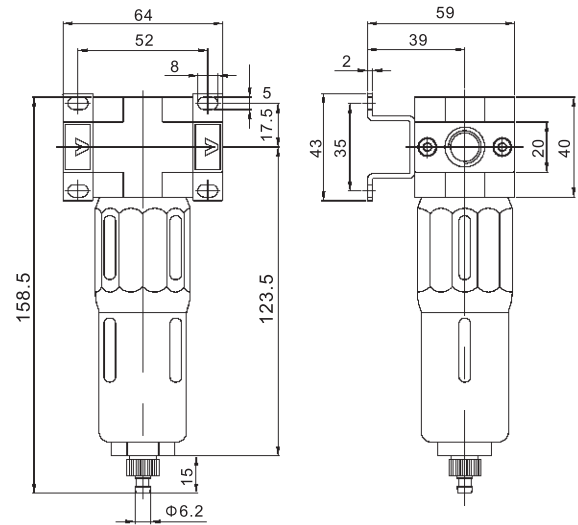
Filter

Dimension(mm):

DF100-M5, 01

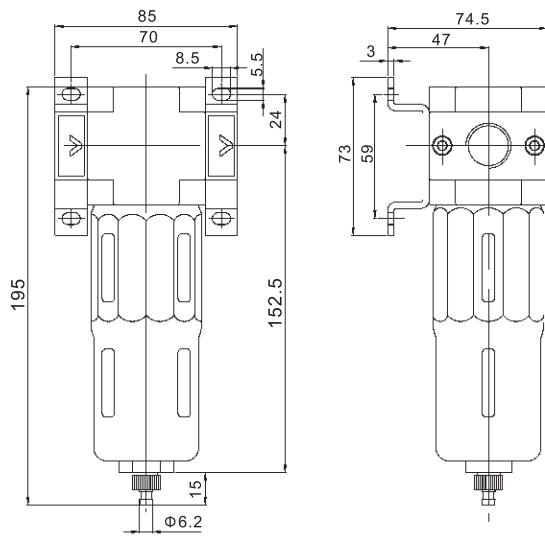


DF200-01, 02, 03

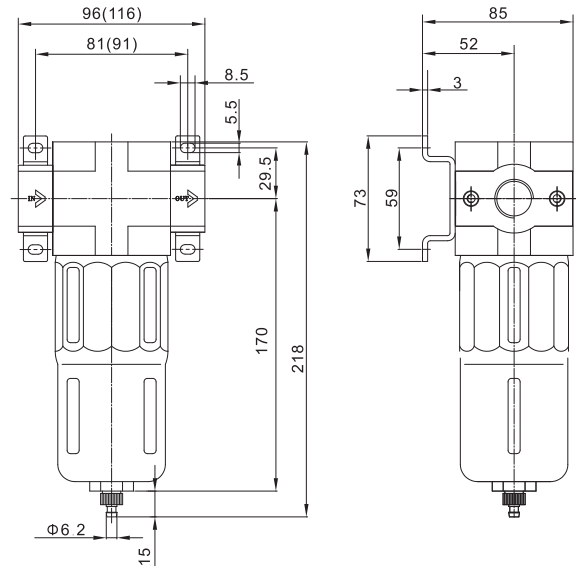


Note: The interface of M5 is without connecting block.

DF400-03, 04, 06



DF600-06, 08



Regulator

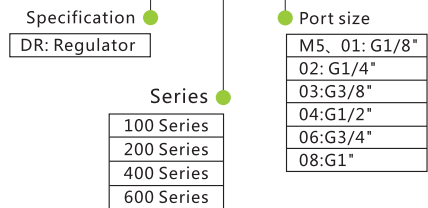


Specification:

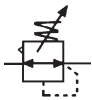
Type	DR100-M5, 01	DR200-01, 02, 03	DR400-03, 04, 06	DR600-06, 08
Port size(G)	M5 · 1/8"	1/8" · 1/4" · 3/8"	3/8" · 1/2" · 3/4"	3/4" · 1"
Gauge thread(G)	M5	1/8"	1/4"	
Fluid	Compressed air			
Operating pressure range(MPa)	0.15~0.7	0.15~1.2		
Max.Flow rate(L/min)	500	1700	3500	11500
Ambient temperature(°C)	-10~60			

How to order:

DR 200 01



Symbol:



Product feature:

1. Hand wheel adopts the pressed self-locking mechanism to prevent the setting pressure from external disturbance and unusual action.
2. Pressure adjustment mechanism adopts the balance design with more stable adjustment and better characteristic.
3. Besides panel-mounting, fixed bracket installation is optional.

Inner structure drawing:

DR100

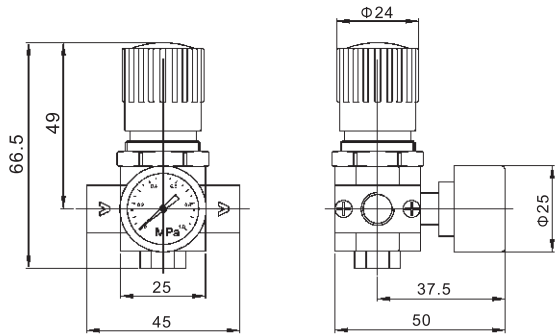
DR200/400/600

Number	Name	Material
1	Hand wheel	POM
2	Lifting screw	Brass
3	Spring	Spring steel
4	Valve cover	POM
5	Nut	Aluminium
6	Diaphragm	NBR
7	Regulate body	Aluminium
8	Connecting block	Aluminium
9	O-ring	NBR
10	Valve core	Aluminium+NBR
11	Spring	Stainless steel
12	Bottom cover	POM

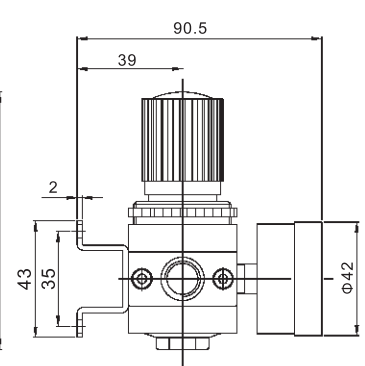
Regulator

■ Dimension(mm):

■ DR100-M5、01

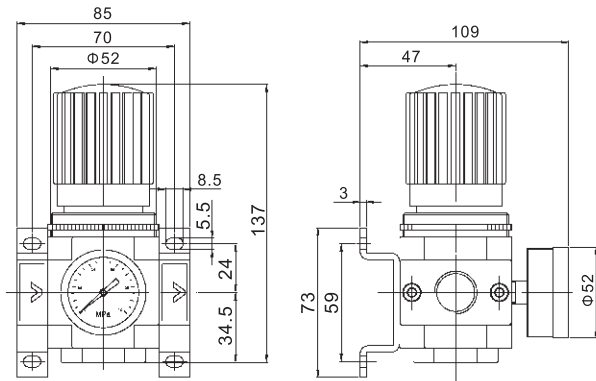


■ DR200-01、02、03

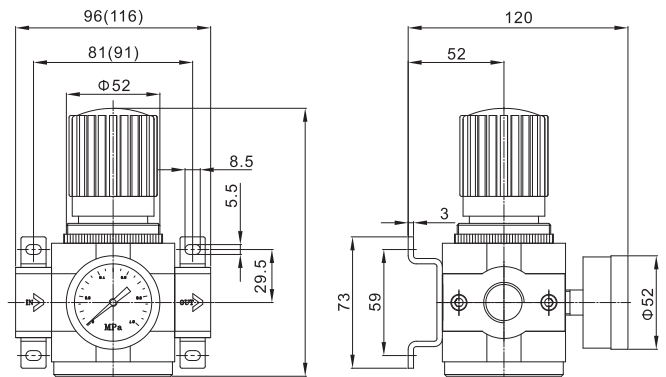


Note: The interface of M5 is without connecting block.

■ DR400-03、04、06



■ DR600-06、08



Lubricator



Symbol:



Product feature:

1. Oil dripping adopts the clearance seal to stabilize oil feeding.
2. Oil feeding is linear distribution and the quantity of oil is visible.
3. Special oil dripping structure leads to negative pressure at the exit of oil dripping and low fog flow.
4. It can keep refueling without stops.
5. Fixed bracket installation is optional.

Inner structure drawing:

DL100

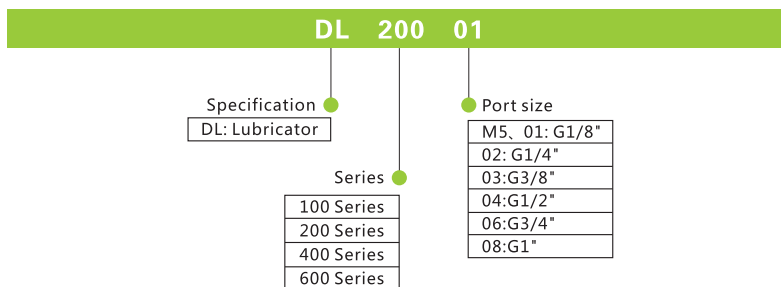
DL200/400/600

Number	Name	Material
1	Oil window	PC
2	Valve body	Aluminium
3	Connecting block	Aluminium
4	Damping fin	NBR
5	O-ring	NBR
6	Oil cup	PC
7	Guard cup	POM
8	Oil tube	PVC

Specification:

Type	DL100-M5, 01	DL200-01, 02, 03	DL400-03, 04, 06	DL600-06, 08
Port size(G)	M5 · 1/8"	1/8" · 1/4" · 3/8"	3/8" · 1/2" · 3/4"	3/4" · 1"
Fluid	Compressed air			
Operating pressure range(MPa)	0.15~0.7	0.15~1.2		
Max.Flow rate(L/min)	500	2000	4000	11500
Ambient temperature(°C)	-10~60			
Cup material	Polycarbonate			
Guard cup	-	•	•	•

How to order:

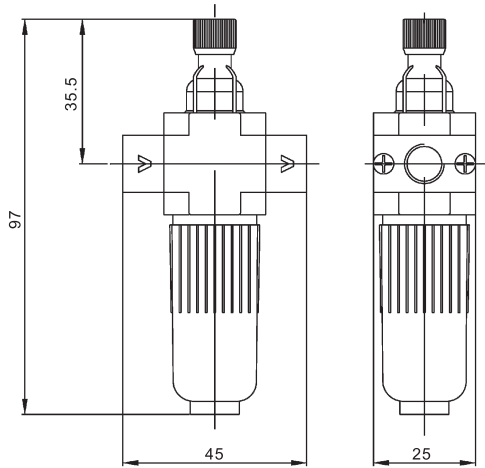


DL

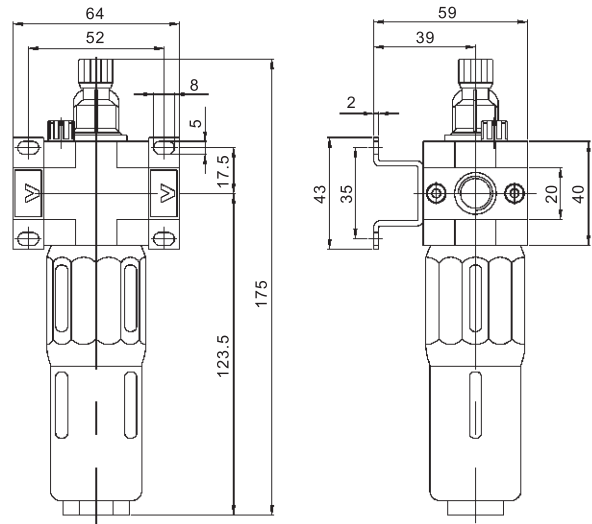
Lubricator

■ Dimension(mm):

■ DL100-M5、01

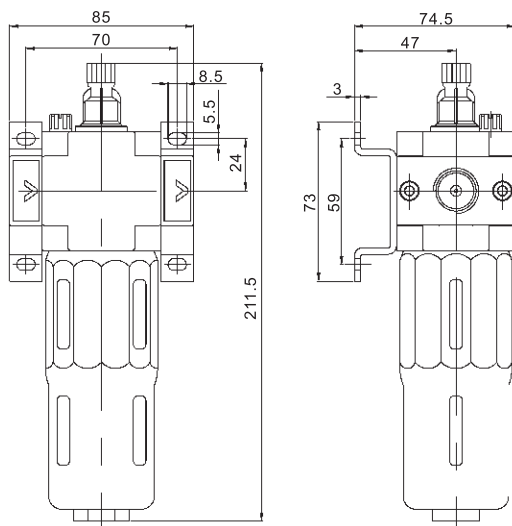


■ DL200-01、02、03

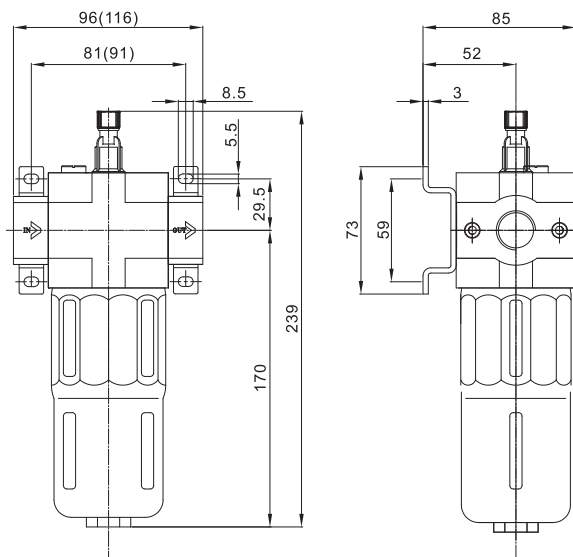


Note: The interface of M5 is without connecting block.

■ DL400-03、04、06



■ DL600-06、08



Regulator combination



Specification:

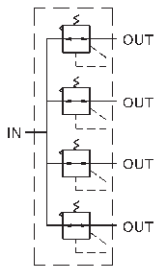
Type	DRB200-01, 02, 03	DRB200-03, 04, 06
Port size	1/8" · 1/4" · 3/8"	3/8" · 1/2" · 3/4"
Fluid	Compressed air	
Operating pressure range(MPa)	0.15~1.2	
Ambient temperature(°C)	-10~60	
Max.Flow rate(L/min)	1700	3500

How to order:

DRB 200 01 K2

- Specification**
DRB: Regulator combination
- Series**
200 Series
400 Series
- Number of combinations**
K2: 2
K3: 3
K4: 4
K5: 5
- Port size**
01: G1/8"
02: G1/4"
03: G3/8"
04: G1/2"
06: G3/4"

Symbol:



Product feature:

1. The regulator for an integrated installation, can provide a variety of different pressure gas source, the front and rear sides of each one has an output connection.

Inner structure drawing:

DRB200

Number	Name	Material
1	Hand wheel	POM
2	Lifting screw	Q235
3	Spring	Spring steel
4	Valve cover	POM
5	Nut	Aluminium
6	Diaphragm	Aluminium + NBR
7	Connecting block	Zinc
8	Valve core	Brass+NBR
9	Regulate body	Zinc
10	O-ring	NBR
11	Spring	Stainless steel
12	Bottom cover	Zinc

Dimension(mm):

DRB200

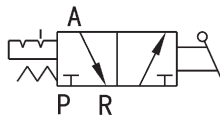
DRB400

Safe on –off Valve



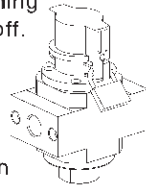
DZ

Symbol:



Product feature:

1. It is module design and can be used with D series F.R.L.
2. This valve can be used as manual 3/2 way valve.
3. This valve meets the standard on installation conducted by operator specified by OSHA (Occupational Safety & Health Administration). When the machinery is maintained and serviced, the purge valve (Safe on-off valve) for remaining pressure shall be used to eliminate the remaining pressure when the air source is cut off. Valve must be locked to prevent accidental operation by a third party during maintenance. This prevents accidental system pressurization & cylinder actuation which can result in injuries to the machine operator.



Inner structure drawing:

DZ200

Number	Name
1	Hand wheel
2	Roller
3	Lifting pocker
4	Screw
5	Valve cover
6	Hexagon socket head cap screw
7	Washer
8	Valve body
9	Connecting block
10	Valve core
11	Washer
12	Spring
13	O-ring
14	Bottom cover

Specification:

Type	DZ200-01, 02, 03	DZ400-03, 04, 06	DZ600-06, 08
Port size(G)	1/8" · 1/4" · 3/8"	3/8" · 1/2" · 3/4"	3/4" · 1"
Fluid	Compressed air		
Operating pressure range(MPa)	0.15~1.2		
Ambient temperature(°C)	-5~60		
Acting type	Manual		
Position number	2 Way 3 Positon		
Operation angle	90°		
Exhaust port size	1/8"	3/8"	1/2"
Suitable F.R.L type	DC200-01, 02, 03	DC400-03, 04, 06	DC600-06, 08

How to order:

DZ 200 01

Specification

DZ: Safe on-off Valve

Port size

01: G1/8"

02: G1/4"

03: G3/8"

04: G1/2"

06: G3/4"

08: G1"

Series

200 Series

400 Series

600 Series

Dimension(mm):

Type	DZ200			DZ400		DZ600	
Symbol	01	02	03	03	06	06	08
A	1/8"	1/4"	3/8"	3/8"	1/2"	3/4"	1"
B	64			85		106	
C	106			127		-	
D	59			74.5		77.5	
E	52			70		86	
F	40			55		66	
G	17.5			24		27.5	
H	8			8.5		11.5	
I	5			5.5		5.5	
J	43			73.5		66.5	
K	35			58		55	
L	2			3		3	
M	39			47		44.5	
N	38.5			51		-	
O	1/8"			3/8"		3/4"	

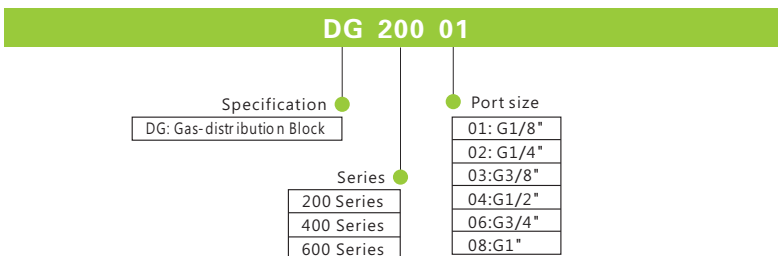
Gas-distribution Block



Specification:

Type	DG200-01, 02, 03	DG400-03, 04, 06	DG600-06, 08
Port size(G)	1/8" · 1/4" · 3/8"	3/8" · 1/2" · 3/4"	3/4" · 1"
Way number	Four		
Operating pressure range(MPa)	0~1.2		
Ambient temperature(°C)	-10~60		

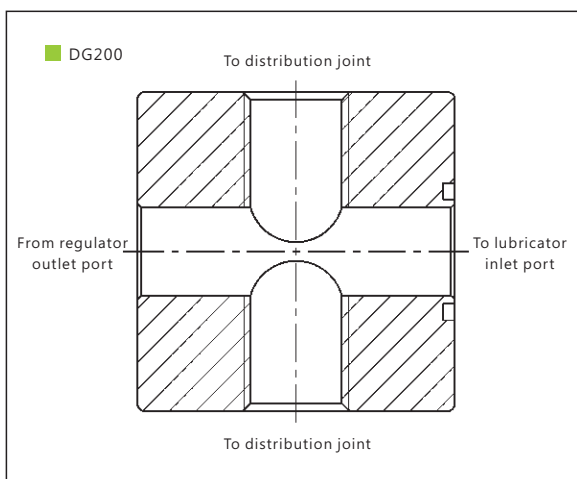
How to order:



Product feature:

1. It is installed between DC series regulator(or filter & regulator)and lubricator. The air flow is divided by the device that one enters lubricator to supply oil for lubrication and the other(the second way)directly enters the equipment.

Inner structure drawing:



Dimension(mm):

Type	DG200			DG400			DG600	
Symbol	01	02	03	03	04	06	06	08
A	1/8"	1/4"	3/8"	3/8"	1/2"	3/4"	3/4"	1"
B	40			55			66	
C	40			55			66	
D	40			55			66	