

Auto-drainer



AD



Symbol:



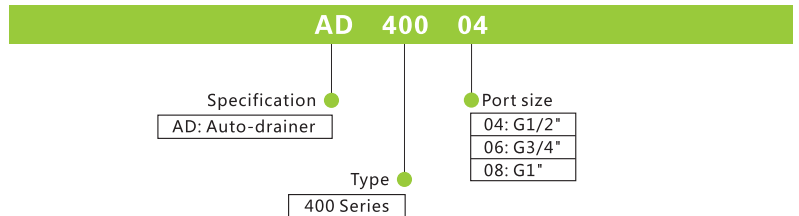
Product feature:

It is usually used to automatically drain water at low points of air system including pipes, air dryer, oil and water separator, air tank and various air filters, suitable to be mounted at places not convenient for manual water discharge, i.e. high and low points or places with small space, especially where air flow is high and water discharge is frequent, to prevent compressed air from re-contamination in case operator forget to discharge the water.

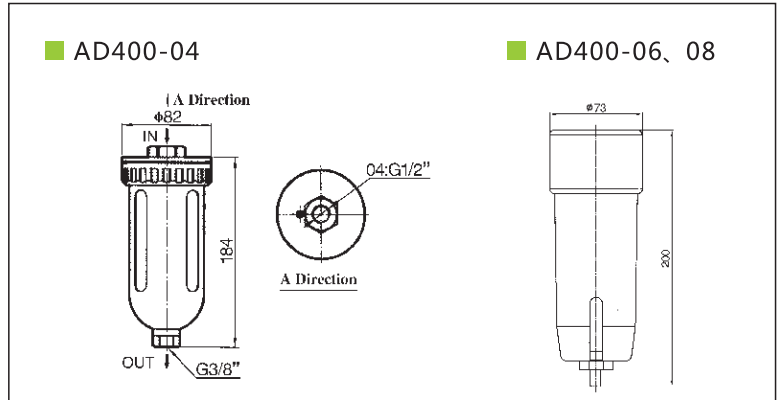
Specification:

Type	AD400-04	AD400-06, 08
Fluid	Compressed air	
Input Port size(G)	1/2"	3/4", 1"
Output Port size(G)	3/8"	1/8"
Operating pressure range(MPa)	0.1~1	
Ambient temperature(°C)	-5~60	

How to order:



Dimension(mm)



Automatic drainer



Product feature:

It is mounted at the bottom of automatic drainer, air filter, and the bowl of compressed air relief valve, to automatically discharge the accumulated condensate.

Dimension(mm)

