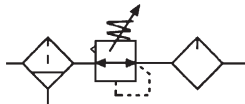


Filter+Regulator+Lubricator



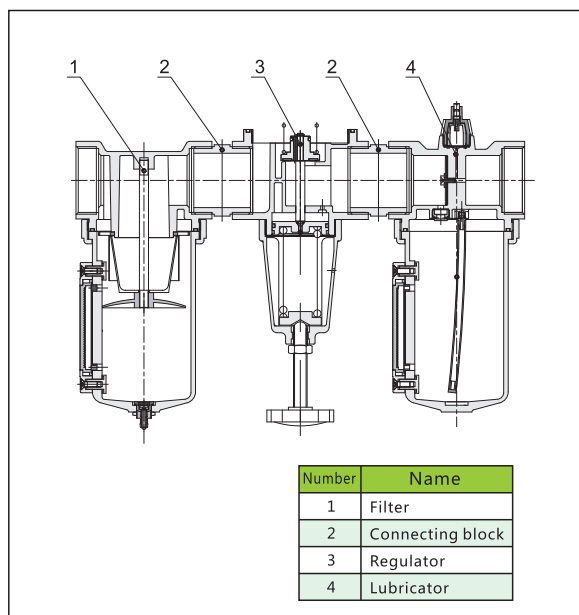
Symbol:



Product feature:

1. Oil dripping adopts the clearance seal to stabilize oil feeding.
2. Oil feeding is linear distribution and the quantity of oil is visible.
3. Fixed connection is fast reliable and easy for installation and using. Pressure adjust is stable and with high repeat precision.
4. High efficiency of removing water and solid particle.
5. Manual, differential pressure and automatic drain ways are optional.

Inner structure drawing:

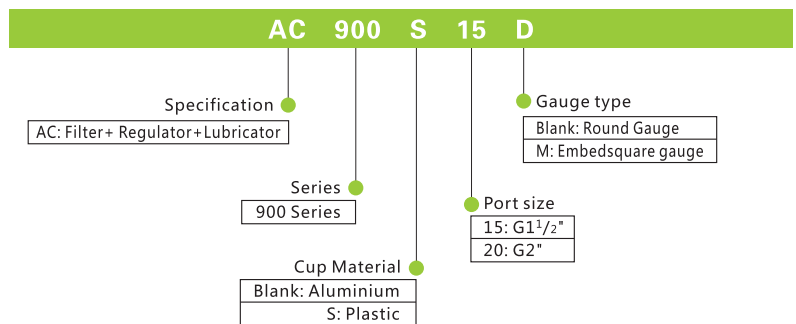


Specification:

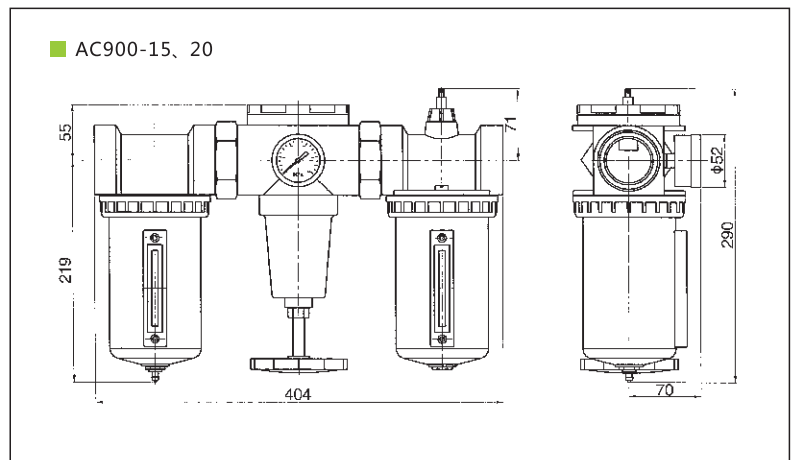
Type	AC900-15	AC900S-15	AC900-20	AC900S-20
Portsize(G)	1 ¹ / ₂ "		2"	
Gaugethread(G)	1/4"			
Fluid	Compressed air			
Operatingpressurerange(MPa)	0.15~0.85			
Ambient temperature(°C)	-10~60			
Filterprecision	5µm or 40µm			
Cupmaterial	Polycarbonate, Die-casting Aluminum			

Note: Plastic cups are optional.

How to order:



Dimension(mm):



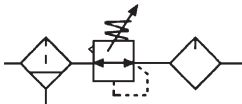
Filter Regulator+Lubricator



AC



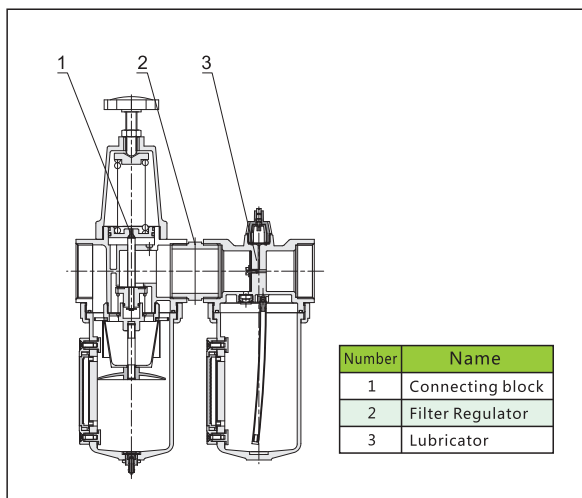
Symbol:



Product feature:

1. Oil dripping adopts the clearance seal to stabilize oil feeding.
2. Oil feeding is linear distribution and the quantity of oil is visible.
3. Fixed connection is fast reliable and easy for installation and using. Pressure adjust is stable and with high repeat precision.
4. High efficiency of removing water and solid particle.
5. Manual, differential pressure and automatic drain ways are optional.

Inner structure drawing:

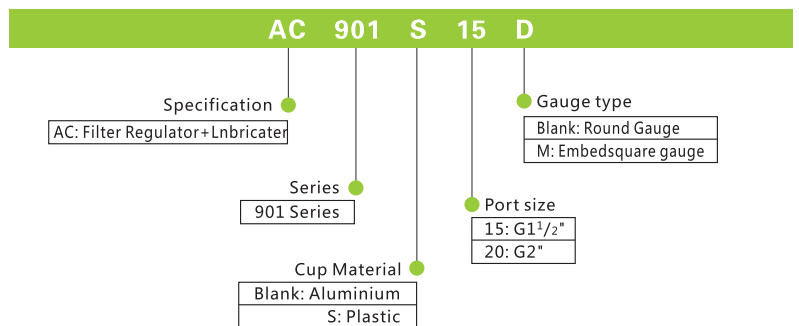


Specification:

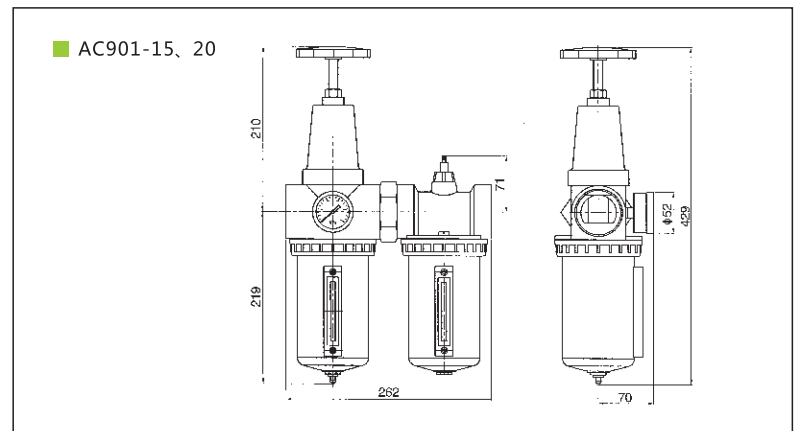
Type	AC901-15	AC901S-15	AC901-20	AC901S-20
Portsize(G)	1 1/2"		2"	
Gaugethread(G)	1/4"			
Fluid	Compressed air			
Operatingpressure(MPa)	0.15~0.85			
Ambient temperature(°C)	-10~60			
Filterprecision	5µm or 40µm			
Cupmaterial	Polycarbonate, Die-casting Aluminum			

Note: Plastic cups are optional.

How to order:



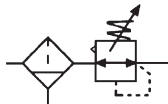
Dimension(mm):



Filter Regulator



Symbol:



Product feature:

1. Pressure adjustment mechanism adopts the balance design with more stable adjustment and better characteristic.
2. Special guide structure makes the flowing gases spin properly to separate the water from gas and filter solid particle efficiently.
3. Filter precision 5 or 40 μm is optional.
4. Manual, differential pressure and automatic drain ways are optional.

Inner structure drawing:

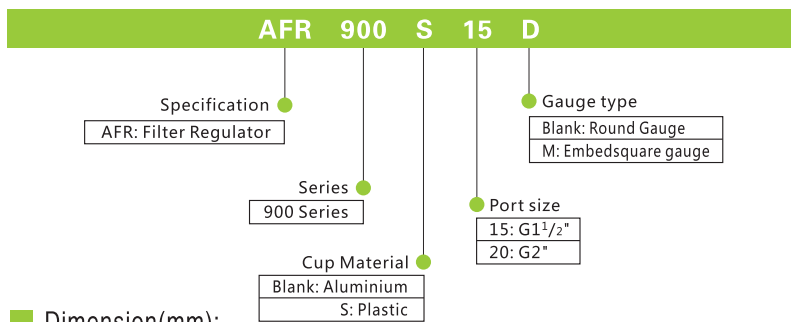
Number	Name	Material	Number	Name	Material
1	Hand wheel	POM+ Q235	14	O-ring	NBR
2	Hex nut	Q235	15	Filter core pedestal	Aluminium
3	Spring seat	Q235	16	O-ring	NBR
4	Spring	Spring steel	17	Nut	Aluminiumoy
5	Valve cover	Aluminium+Brass	18	Impeller	POM
6	Piston	Aluminium	19	Filter core outer cover	POM
7	O-ring	NBR	20	Filter core	Bronzesinteringparticles
8	Wearing ring	Composite bronze	21	Pull rod	Q235
9	O-ring	NBR	22	Filter core pressing plate	POM
10	Valve body	Aluminium	23	Oil-lever displayer	Aluminium+PC
11	Valve rod	Brass	24	Metal oil cup	Aluminium
12	Valve core	Brass+NBR	25	Drainer	Assembly
13	Spring	Spring steel			

Specification:

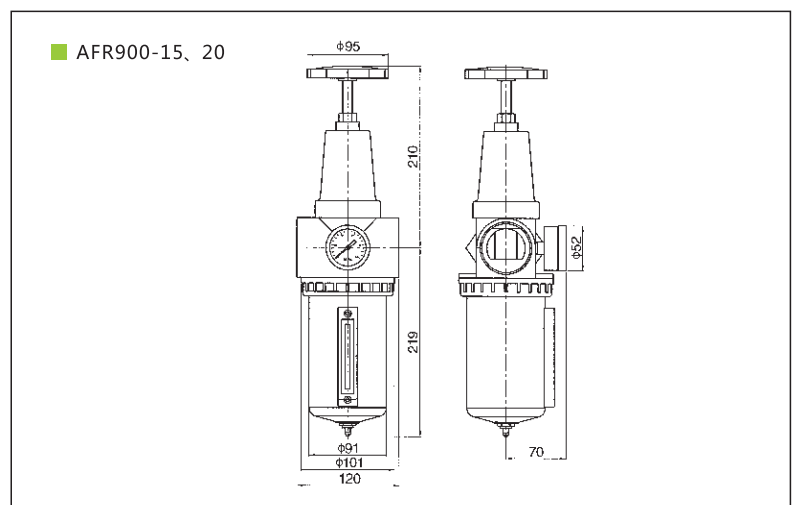
Type	AFR900-15	AFR900S-15	AFR900-20	AFR900S-20
Portsize(G)	1 ¹ / ₂ "		2"	
Gaugethread(G)	1/4"			
Fluid	Compressed air			
Operatingpressurerange(MPa)	0.15~0.85			
Ambient temperature(°C)	-10~60			
Filterprecision	5μm or 40μm			
Cupmaterial	Polycarbonate, Die-casting Aluminum			

Note: Plastic cups are optional.

How to order:



Dimension(mm):



AFR

Regulator



AR



Symbol:



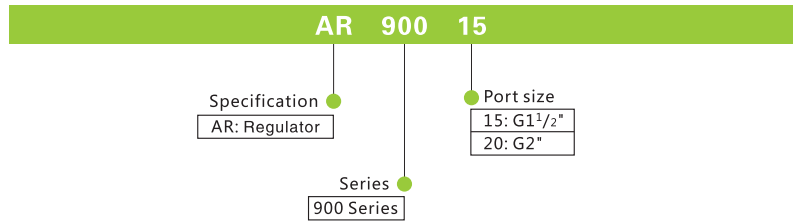
Product feature:

- 1. Pressure adjustment mechanism adopts the balance design with more stable adjustment and better characteristic.

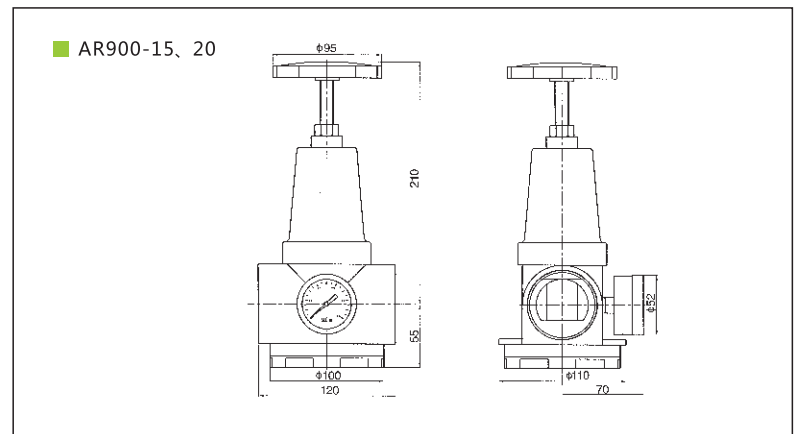
Specification:

Type	AR900-15	AR900-20
Portsize(G)	1 1/2"	2"
Gauge thread(G)	1/4"	
Fluid	Compressed air	
Operating pressure range(MPa)	0.15~0.85	
Ambient temperature(°C)	-10~60	

How to order:



Dimension(mm):



Inner structure drawing:

Number	Name	Material
1	Hand wheel	ABS+Q235
2	Hex nut	Q235
3	Spring seat	Q235
4	Spring	Spring steel
5	Valve cover	Aluminium+Brass
6	Piston	Aluminium
7	O-ring	NBR
8	Wearing ring	Polycarbonate
9	O-ring	NBR
10	Valve body	Aluminium
11	Valve core	Brass+NBR
12	Spring	Spring steel
13	O-ring	NBR
14	O-ring	NBR
15	Bottom cover	Aluminium

Filter



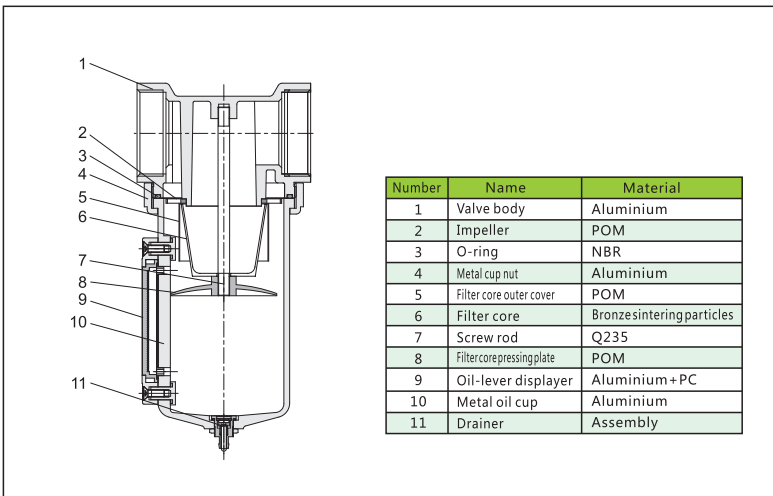
Symbol:



Product feature:

1. Special guide structure makes the flowing gases spin properly to separate the water from gas and filter solid particle efficiently.
2. Low pressure loss and high division efficiency.

Inner structure drawing:

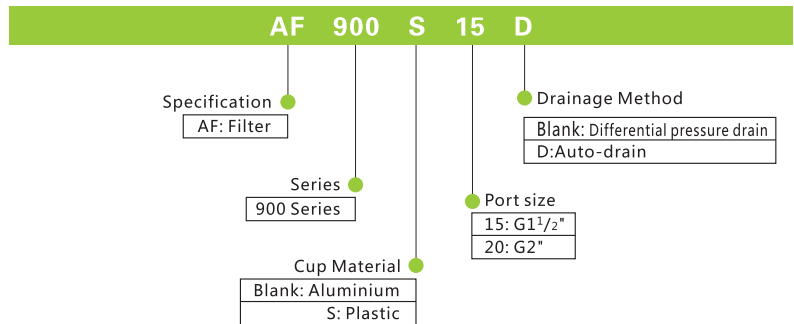


Specification:

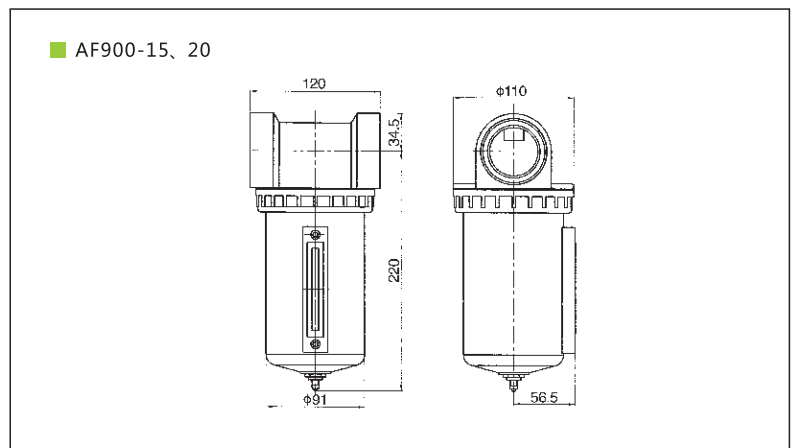
Type	AF900-15	AF900S-15	AF900-20	AF900S-20
Portsize(G)	1 1/2"		2"	
Fluid	Compressed air			
Operating pressure range(MPa)	0.15~0.85			
Ambient temperature(°C)	-10~60			
Filter precision	5µm or 40µm			
Cup material	Polycarbonate, Die-casting Aluminium			

Note: Plastic cups are optional.

How to order:



Dimension(mm):



Lubricator



AL



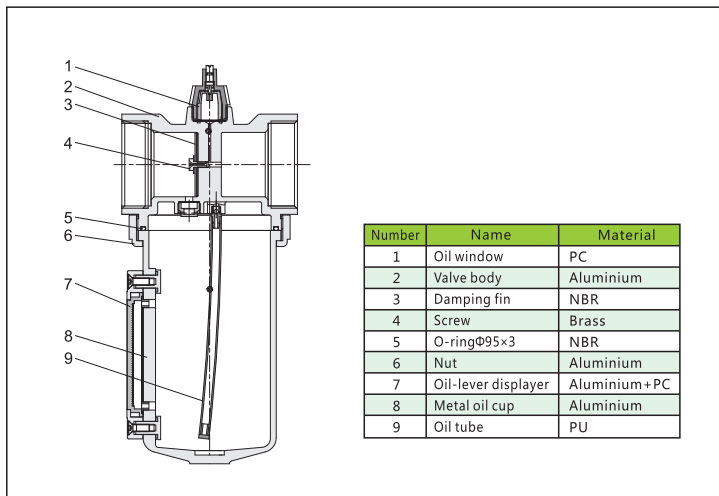
Symbol:



Product feature:

1. Oil dripping adopts the clearance seal to stabilize oil feeding.
2. Oil feeding is linear distribution and the quantity of oil is visible.
3. Special oil dripping structure leads to negative pressure at the exit of oil dripping and low fog flow.

Inner structure drawing:

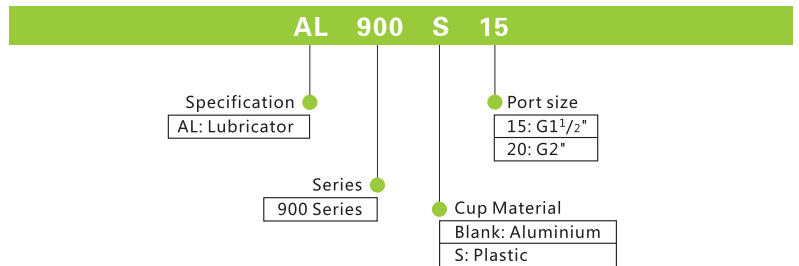


Specification:

Type	AL900-15	AL900S-15	AL900-20	AL900S-20
Portsize(G)	1 1/2"		2"	
Fluid	Compressed air			
Operating pressure range(MPa)	0.15~0.85			
Ambient temperature(°C)	-10~60			
Cup material	Polycarbonate, Die-casting Aluminium			

Note: Plastic cups are optional.

How to order:



Dimension(mm):

