

Solenoid Valve/Air Control Valve

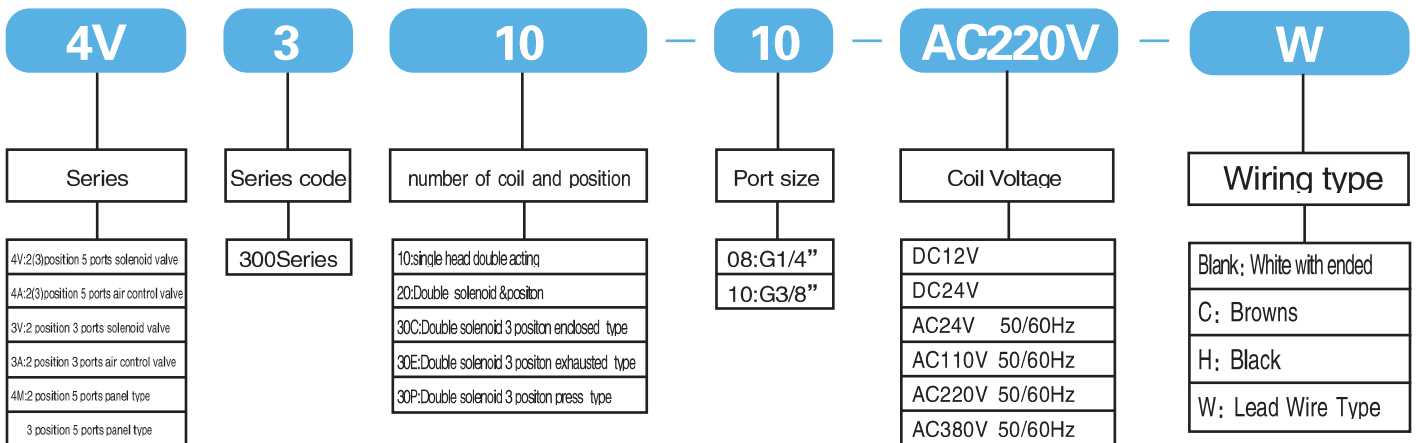
Characteristics:

- Service life: 10 million cycle times.
- The bodies are mirror finished and hardening treated.
- Equipped with imported oil seals with smaller friction and longer service life.
- With imported coils, low power consumption, speedy response.
- Capable of long service time without being damaged.

Specification:

| Type | 4V310-08 | 4V320-08 | 4V330C-08 | 4V330E-08 | 4V330P-08 | 4V310-10 | 4V320-10 | 4V330C-10 | 4V330E-10 | 4V330P-10 |
|-------------------------------|------------------------------|----------|-----------------------------|-----------|---------------------------------|----------|-----------------------------|-----------|-----------|-----------|
| | 4A310-08 | 4A320-08 | 4A330C-08 | 4A330E-08 | 4A330P-08 | 4A310-10 | 4A320-10 | 4A330C-10 | 4A330E-10 | 4A330P-10 |
| Position number | Two Position Five Way | | Three Position Five Way | | Two Position Five Way | | Three Position Five Way | | | |
| Effective sectional area | 25mm ² (CV=1.40) | | 18mm ² (CV=1.00) | | 30mm ² (CV=1.68) | | 18mm ² (CV=1.00) | | | |
| Type | 3V310-08 | 3V320-08 | 3A310-08 | 3A320-08 | 3V310-10 | 3V320-10 | 3A310-10 | 3A320-10 | | |
| Position number | Two Position Three Way | | | | Two Position Three Way | | | | | |
| Effective sectional area | 25mm ² (CV=1.40) | | | | 30mm ² (CV=1.68) | | | | | |
| Port size | input=output=exhausted=G1/4" | | | | input=output=G3/8" output=G1/4" | | | | | |
| Fluid | Air | | | | | | | | | |
| Acting type | Internally pilot-actuated | | | | | | | | | |
| Working pressure MPa | 0.15~0.8 | | | | | | | | | |
| Ambient temperature °C | -5~50 | | | | | | | | | |
| Voltage range | ± 10% | | | | | | | | | |
| Power consumption | AC:5.5VA DC:4.8W | | | | | | | | | |
| Insulation & Protection level | Grade F, IP65 | | | | | | | | | |
| Wiring Form | Out wire or end type | | | | | | | | | |
| Max. Fluence | 5 times/minute | | | | | | | | | |

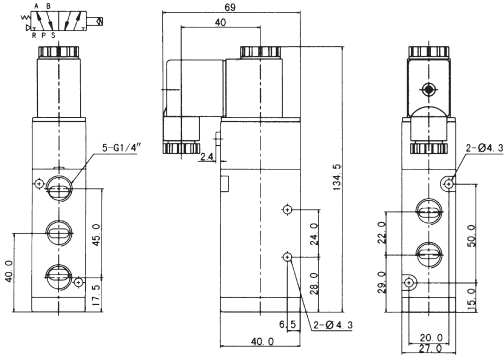
How to order:



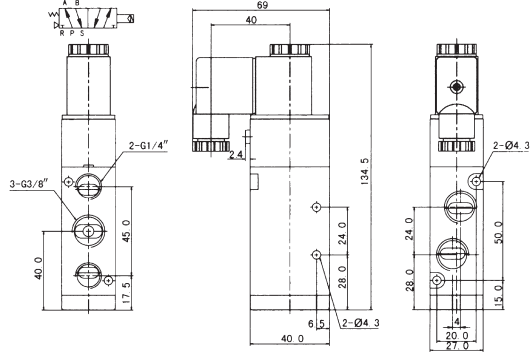
Solenoid Valve/Air Control Valve

Dimensions:

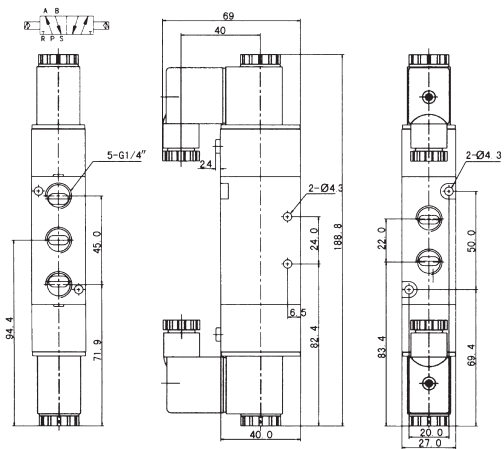
4V310-08



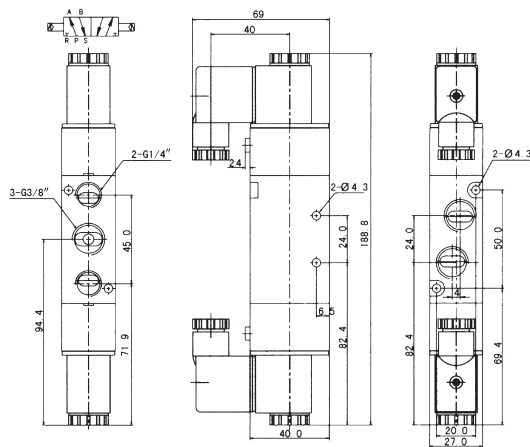
4V310-10



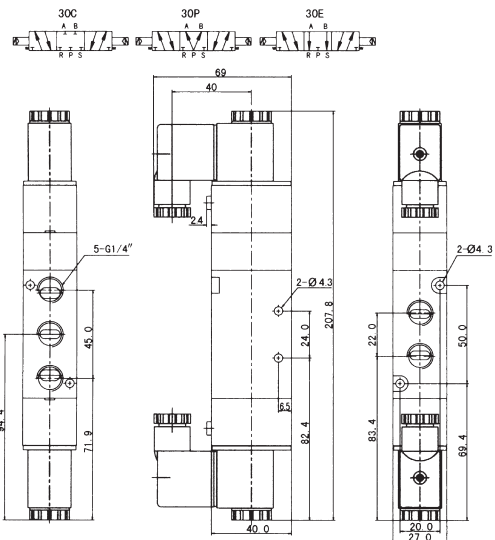
4V320-08



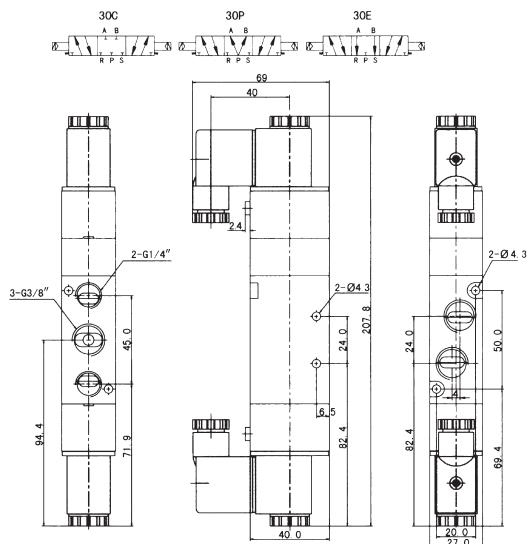
4V320-10



4V330-08



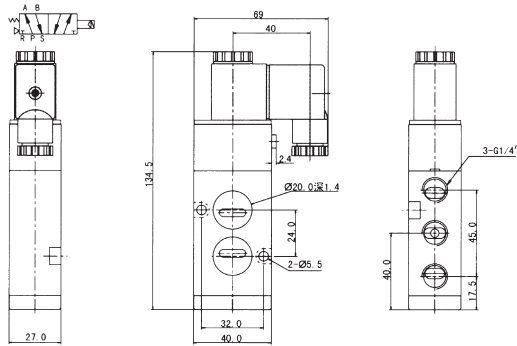
4V330-10



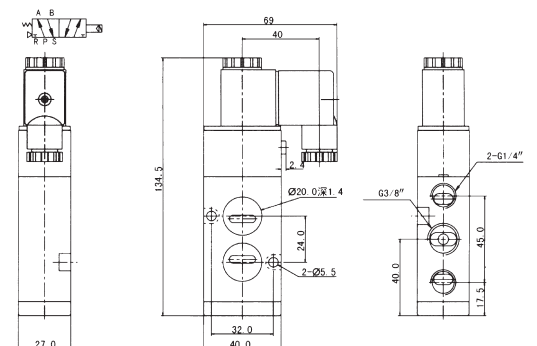
Solenoid Valve/Air Control Valve

Dimensions:

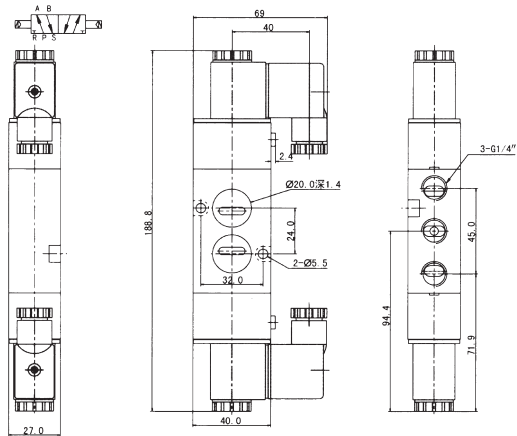
4M310-08



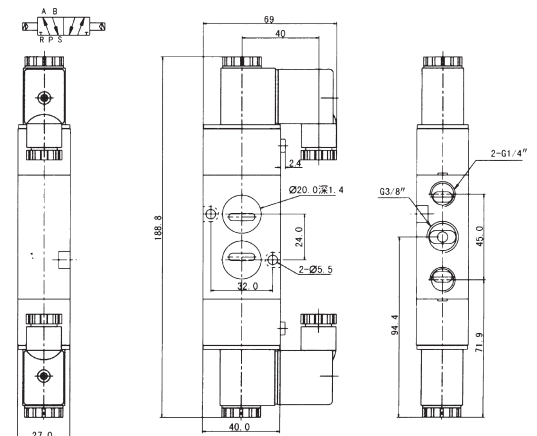
4M310-10



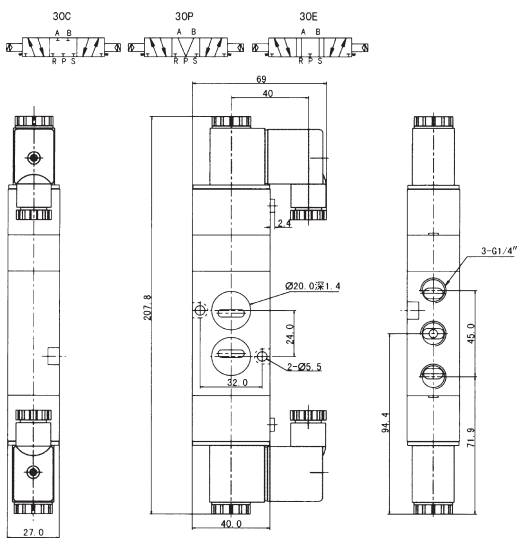
4M320-08



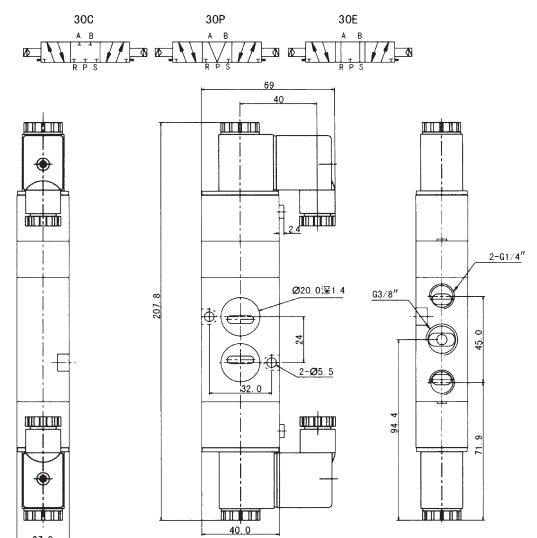
4M320-10



4M330-08



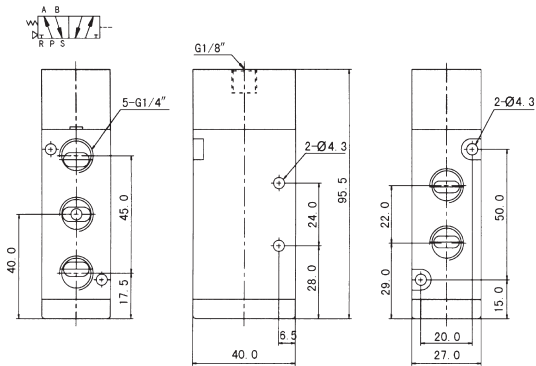
4M330-10



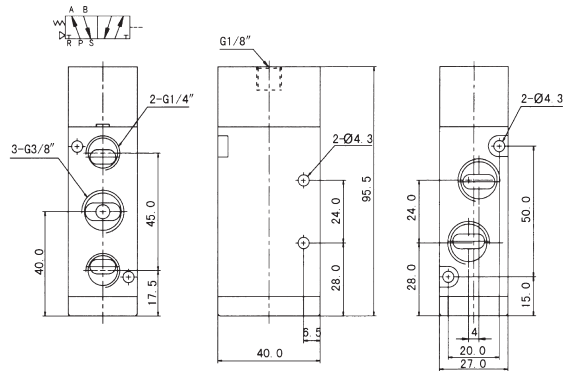
Solenoid Valve/Air Control Valve

Dimensions:

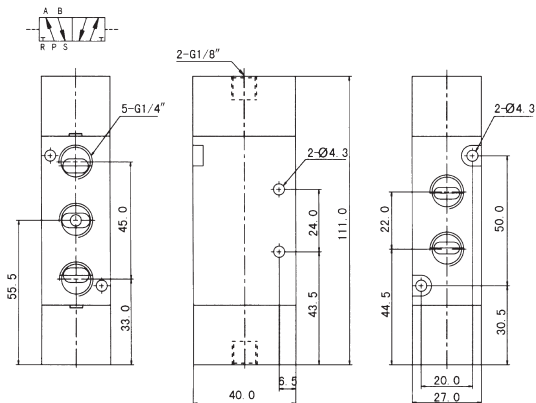
■ 4A310-08



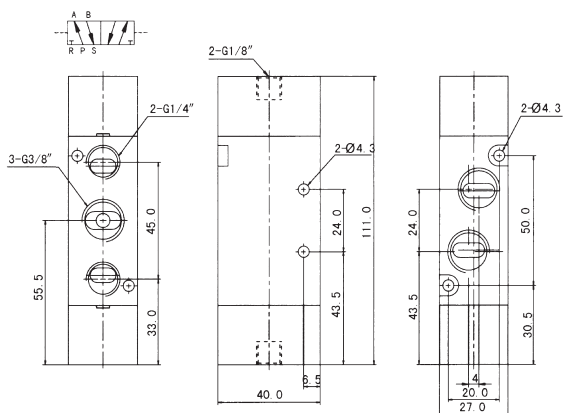
■ 4A310-10



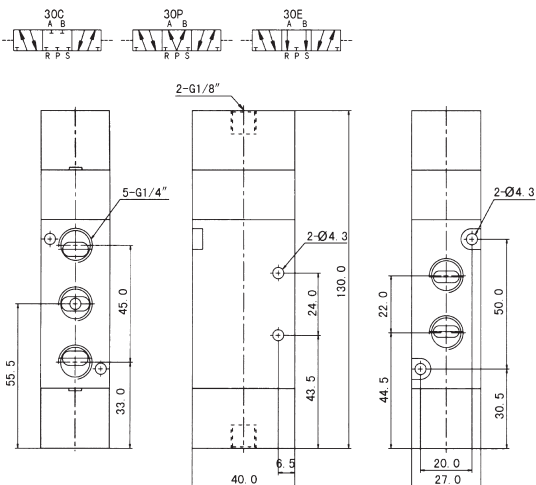
■ 4A320-08



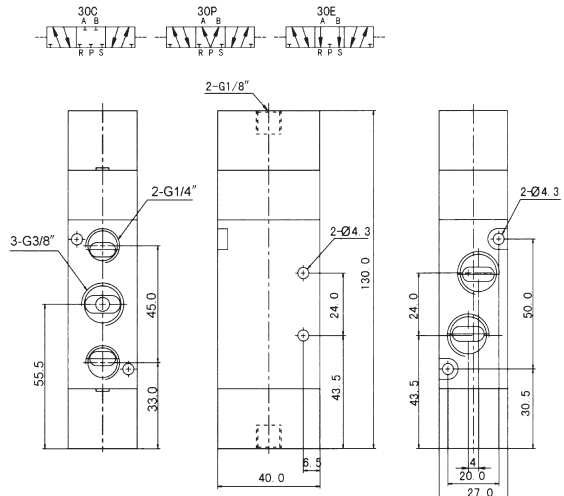
■ 4A320-10



■ 4A330-08



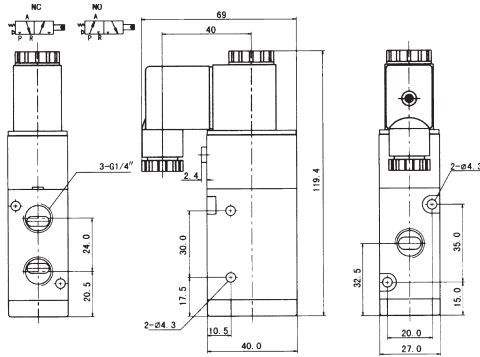
■ 4A330-10



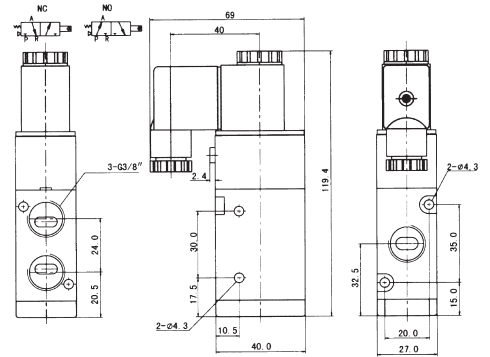
Solenoid Valve/Air Control Valve

Dimensions:

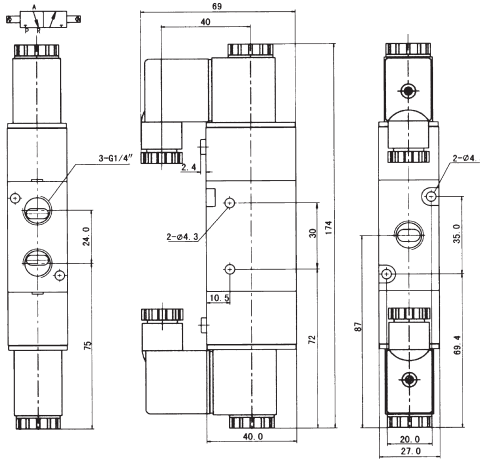
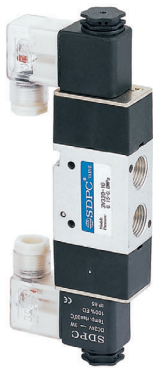
3V310-08



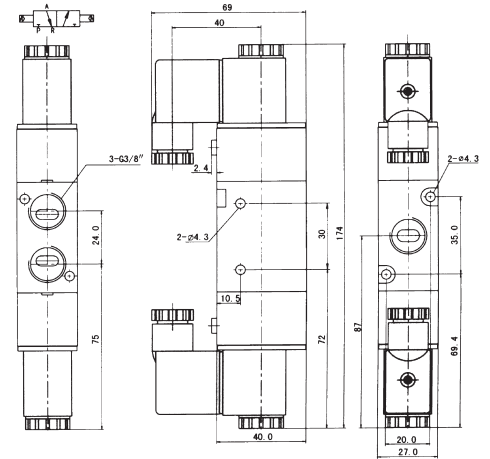
3V310-10



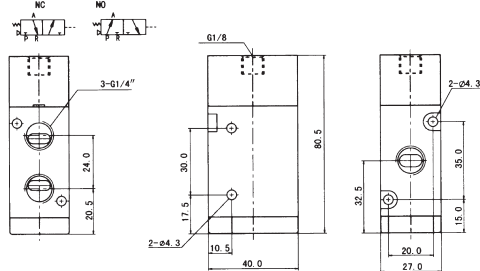
3V320-08



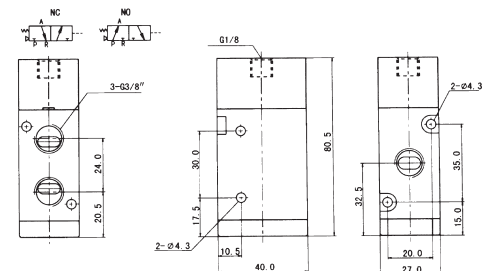
3V320-10



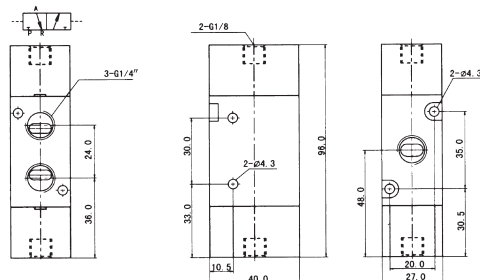
3A310-08



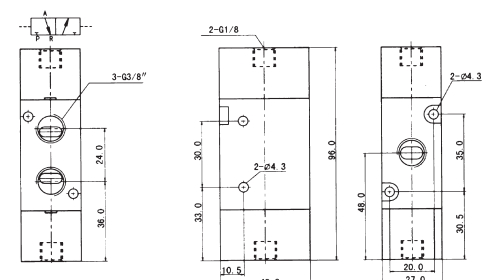
3A310-10



3A320-08

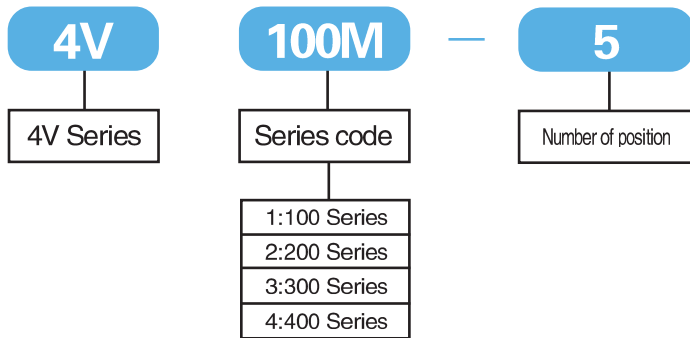


3A320-10

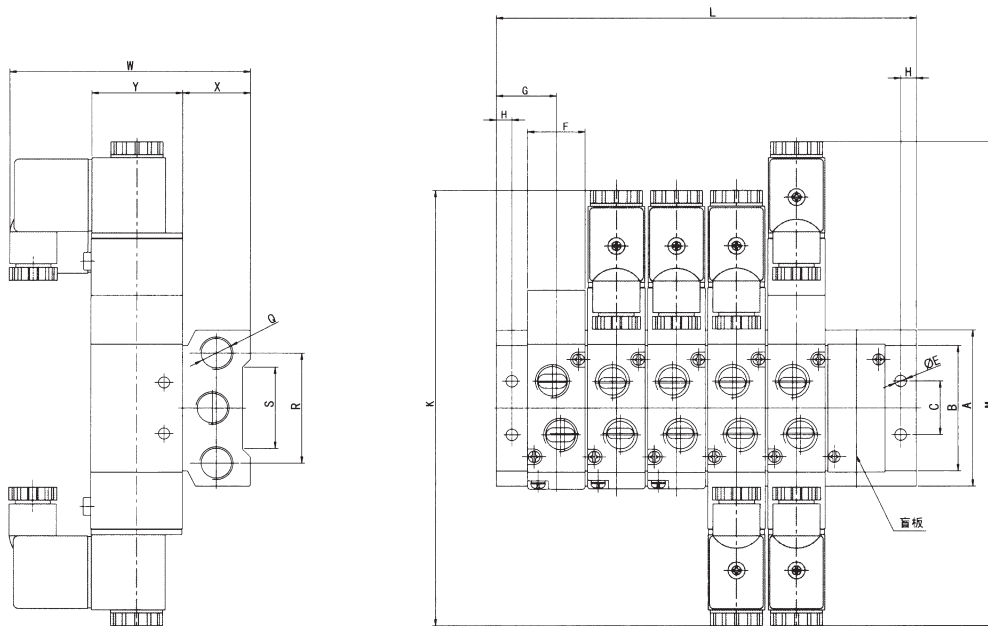


Manifold

How to order:



Dimensions(mm):



| Type | A | B | C | E | F | G | H | K | L | M | Q | R | S | W | X | Y |
|--------|-----|----|----|-----|------|------|---|-----|---------------|-----|------|----|----|------|----|----|
| 100M□F | 58 | 44 | 20 | 4.2 | 18.3 | 19 | 5 | 140 | $(n-1)*19+38$ | 155 | G1/4 | 40 | 30 | 78.5 | 25 | 27 |
| 200M□F | 61 | 52 | 21 | 4.3 | 22.4 | 23 | 6 | 170 | $(n-1)*23+46$ | 189 | G1/4 | 43 | 32 | 92.5 | 26 | 35 |
| 300M□F | 75 | 65 | 26 | 4.5 | 27.3 | 27 | 6 | 189 | $(n-1)*28+54$ | 208 | G3/8 | 53 | 48 | 99 | 30 | 40 |
| 400M□F | 104 | 95 | 32 | 5.5 | 34.3 | 31.5 | 7 | 222 | $(n-1)*35+63$ | 243 | G1/2 | 68 | 67 | 112 | 38 | 50 |