

## Solenoid Valve/Air Control Valve

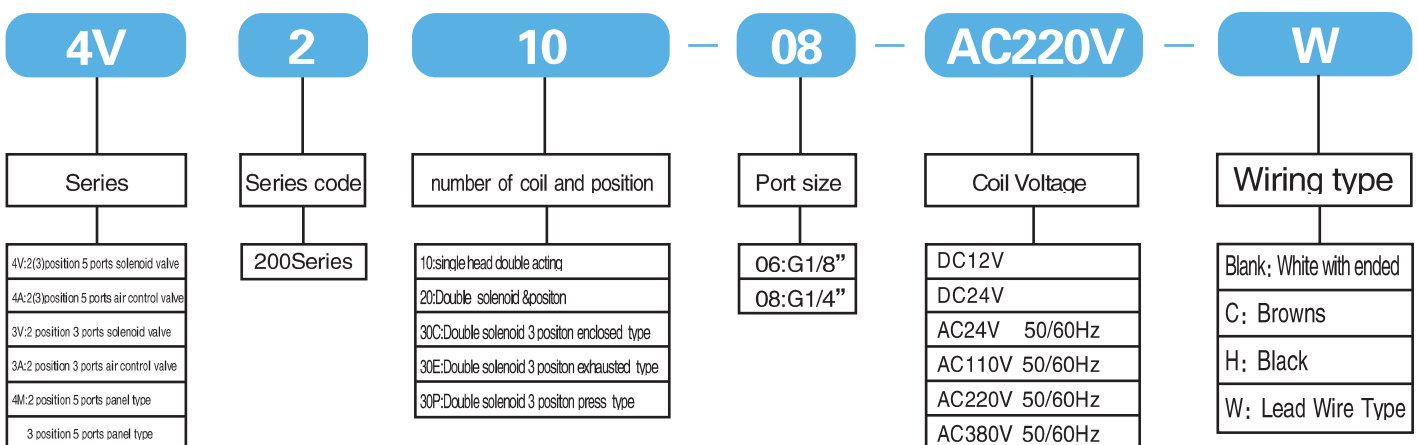
### Characteristics:

- Service life: 10 million cycle times.
- The bodies are mirror finished and hardening treated.
- Equipped with imported oil seals with smaller friction and longer service life.
- With imported coils, low power consumption, speedy response.
- Capable of long service time without being damaged.

### Specification:

Type	4V210-06	4V220-06	4V230C-06	4V230E-06	4V230P-06	4V210-08	4V220-08	4V230C-08	4V230E-08	4V230P-08
	4A210-06	4A220-06	4A230C-06	4A230E-06	4A230P-06	4A210-08	4A220-08	4A230C-08	4A230E-08	4A230P-08
Position number	Two Position Five Way		Three Position Five Way		Two Position Five Way		Three Position Five Way			
Effective sectional area	14mm <sup>2</sup> (CV=0.78)		12mm <sup>2</sup> (CV=0.67)		16mm <sup>2</sup> (CV=0.89)		12mm <sup>2</sup> (CV=0.67)			
Type	3V210-06	3V220-06	3A210-06	3A220-06	3V210-08	3V220-08	3A210-08	3A220-08		
Position number	Two Position Three Way				Two Position Three Way					
Effective sectional area	14mm <sup>2</sup> (CV=0.78)				16mm <sup>2</sup> (CV=0.89)					
Port size	input=output=exhausted=G1/8"				input=output=G1/4" output=G1/8"					
Fluid	Air									
Acting type	Internally pilot-actuated									
Working pressure MPa	0.15~0.8									
Ambient temperature °C	-5~50									
Voltage range	± 10%									
Power consumption	AC:5.5VA DC:4.8W									
Insulation & Protection level	Grade F. IP65									
Wiring Form	Out wire or end type									
Max. Fluence	5 times/minute									

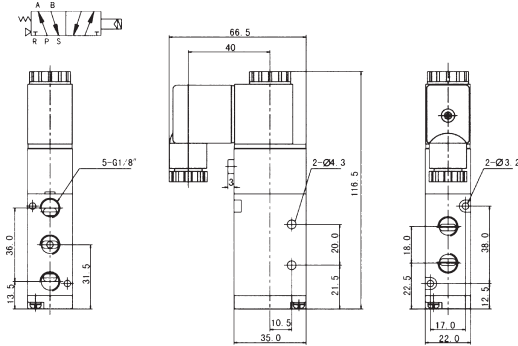
### How to order:



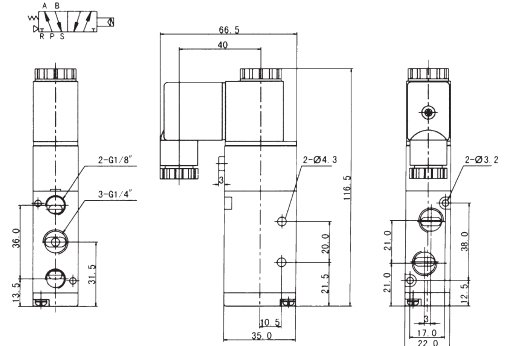
# Solenoid Valve/Air Control Valve

## Dimensions:

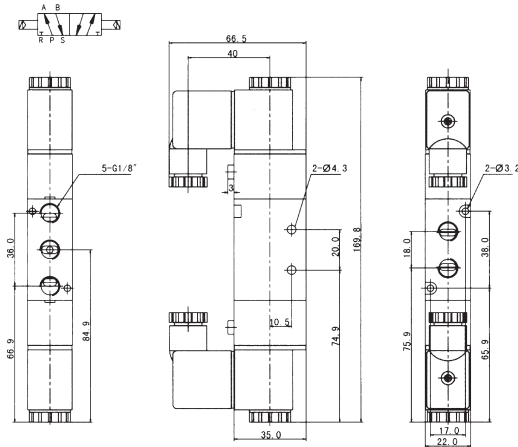
4V210-06



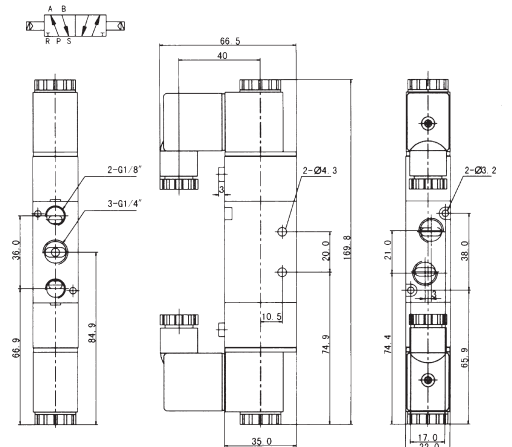
4V210-08



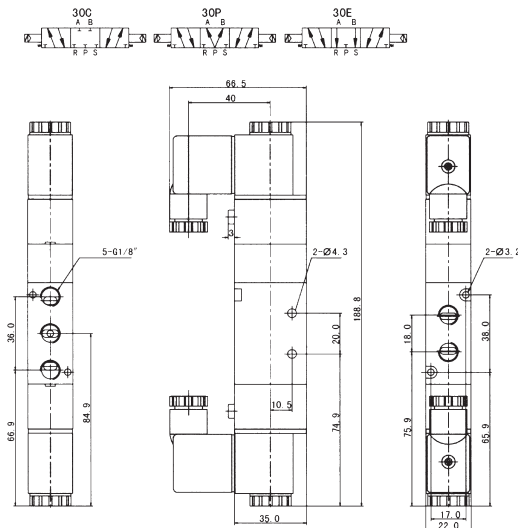
4V220-06



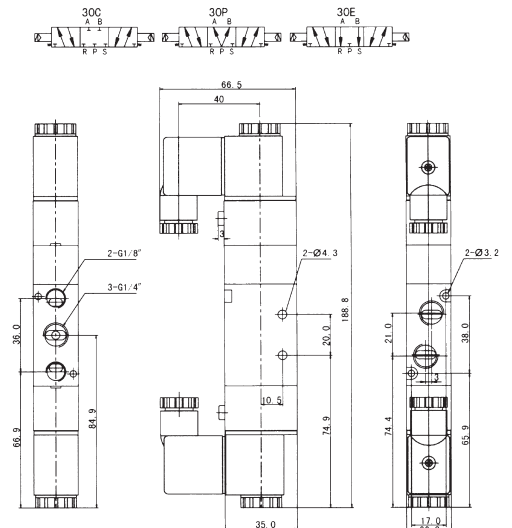
4V220-08



4V230-06



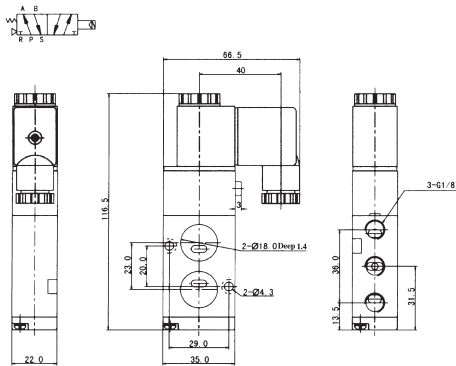
4V230-08



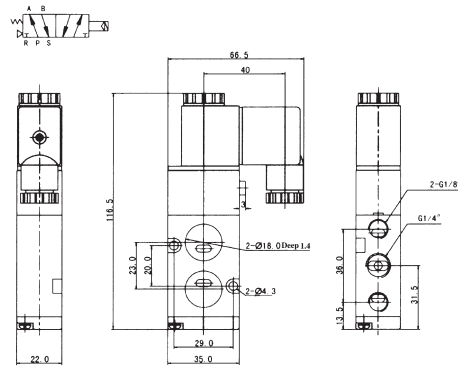
# Solenoid Valve/Air Control Valve

## Dimensions:

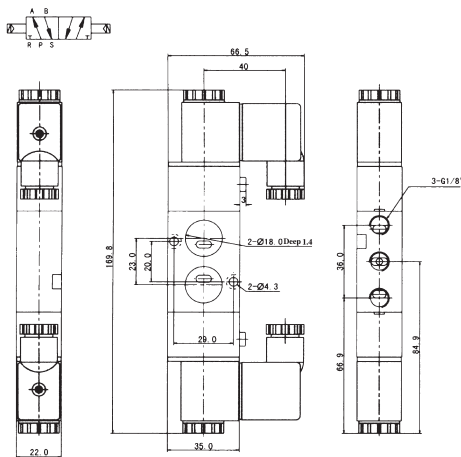
■ 4M210-06



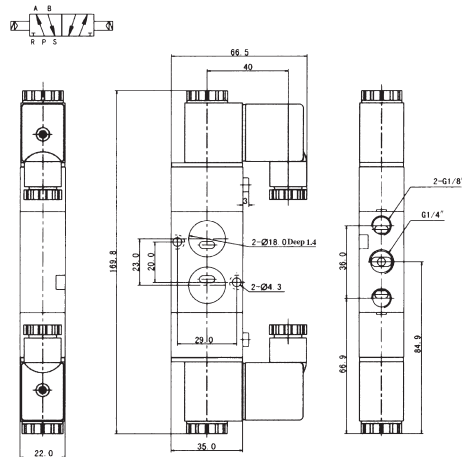
■ 4M210-08



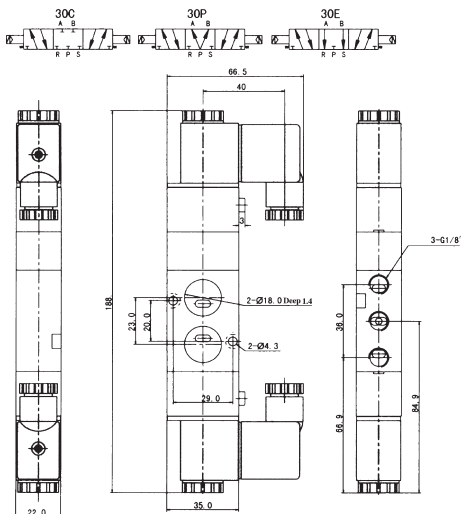
■ 4M220-06



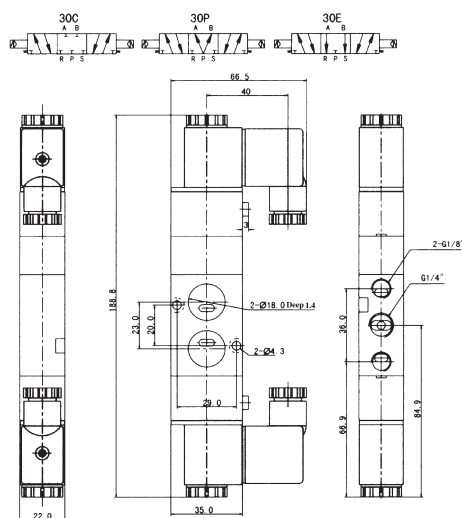
■ 4M220-08



■ 4M230-06



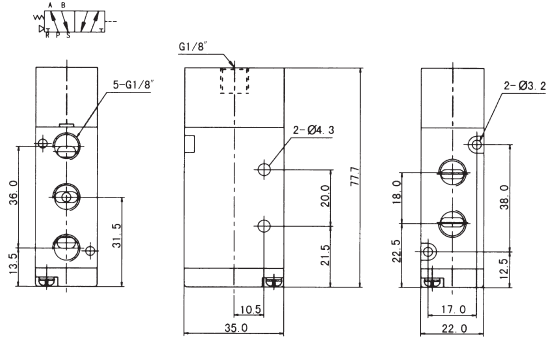
■ 4M230-08



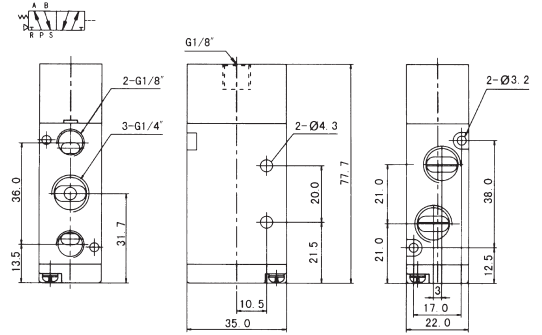
# Solenoid Valve/Air Control Valve

## Dimensions:

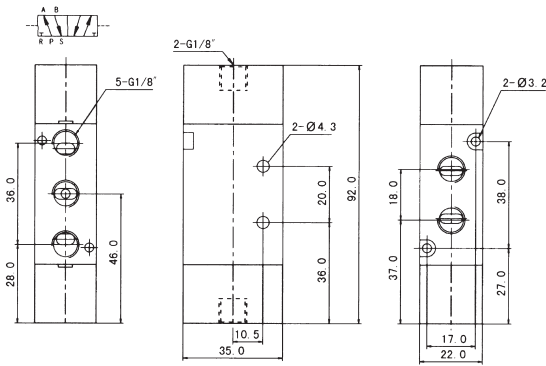
4A210-06



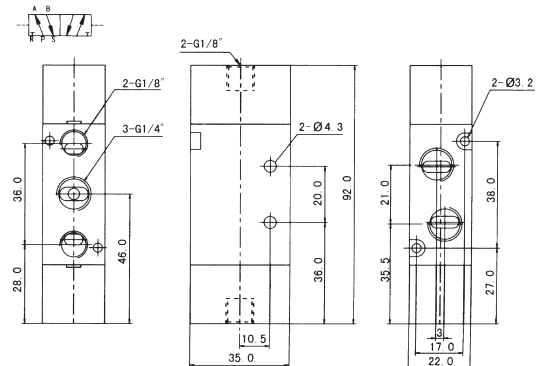
4A210-08



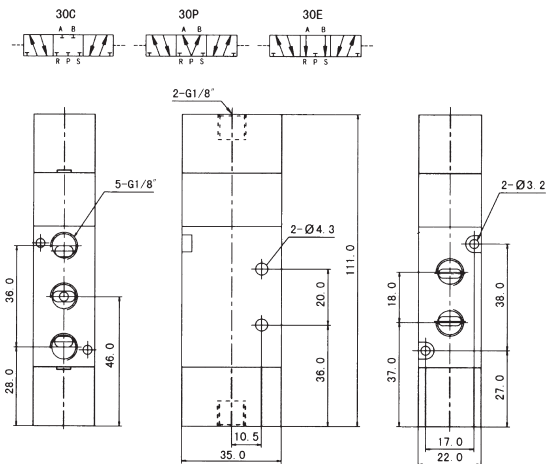
4A220-06



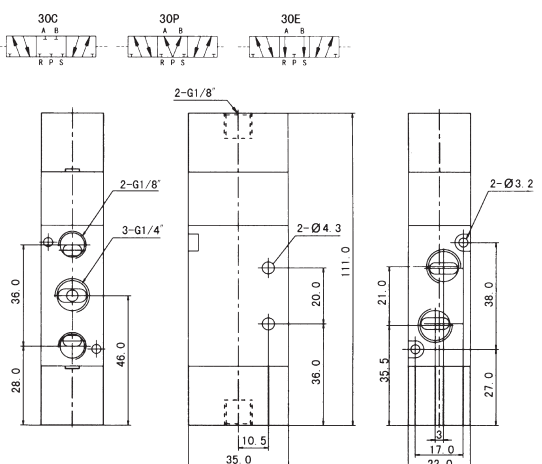
4A220-08



4A230-06



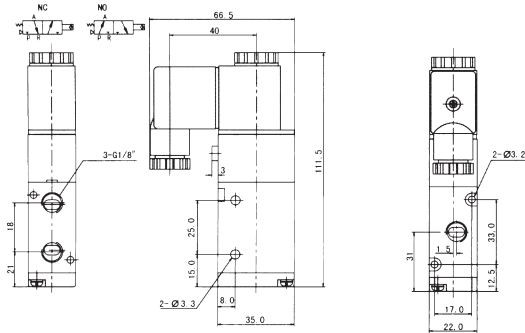
4A230-08



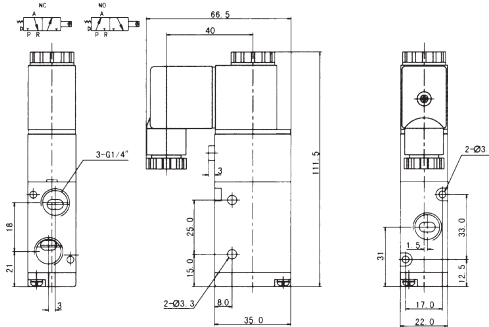
# Solenoid Valve/Air Control Valve

## Dimensions:

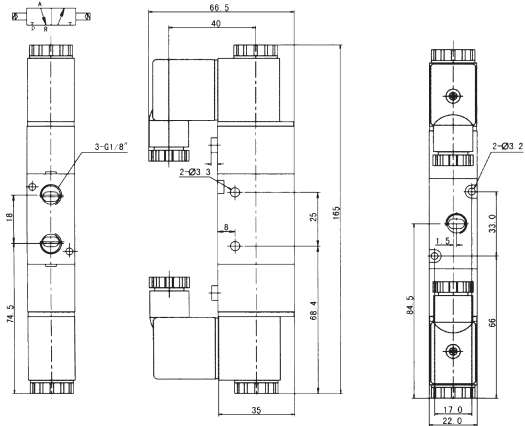
3V210-06



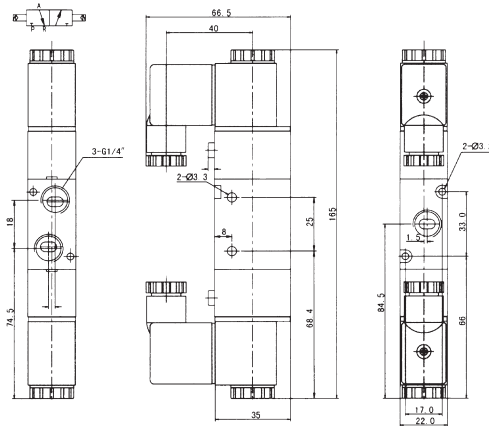
3V210-08



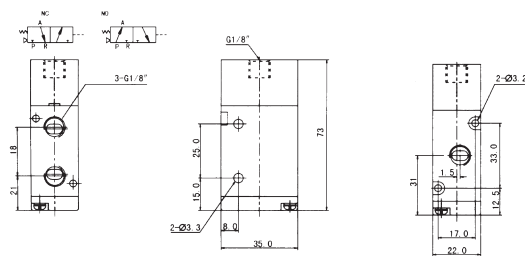
3V220-06



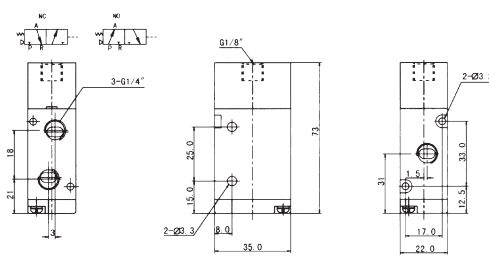
3V220-08



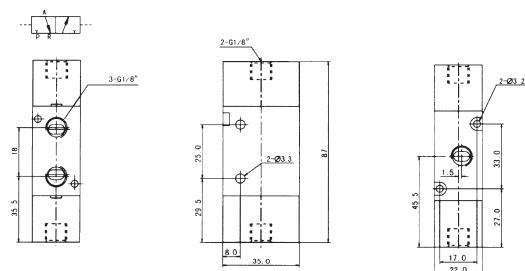
3A210-06



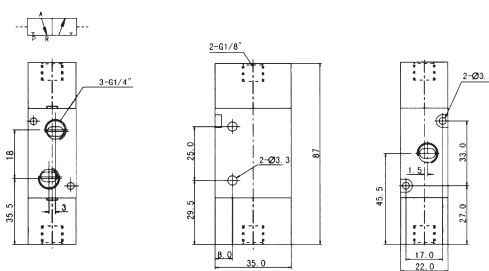
3A210-08



3A220-06

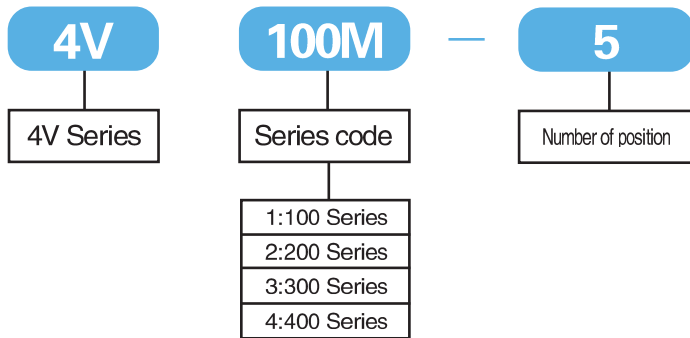


3A220-08

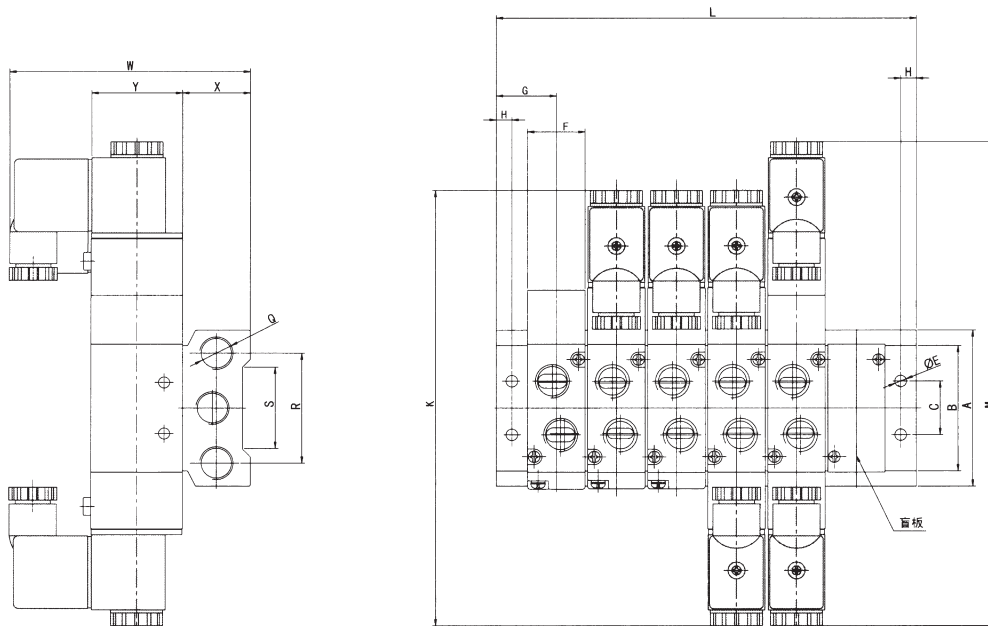


# Manifold

## How to order:



## Dimensions(mm):



Type	A	B	C	E	F	G	H	K	L	M	Q	R	S	W	X	Y
100M□F	58	44	20	4.2	18.3	19	5	140	$(n-1)*19+38$	155	G1/4	40	30	78.5	25	27
200M□F	61	52	21	4.3	22.4	23	6	170	$(n-1)*23+46$	189	G1/4	43	32	92.5	26	35
300M□F	75	65	26	4.5	27.3	27	6	189	$(n-1)*28+54$	208	G3/8	53	48	99	30	40
400M□F	104	95	32	5.5	34.3	31.5	7	222	$(n-1)*35+63$	243	G1/2	68	67	112	38	50