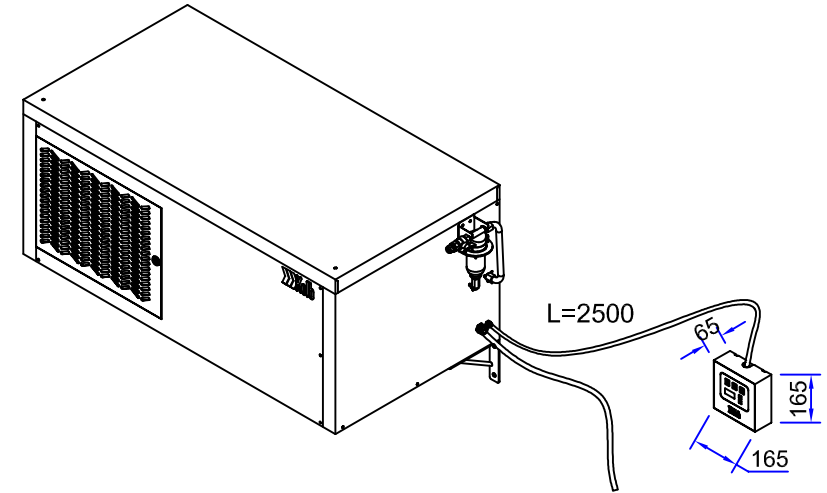
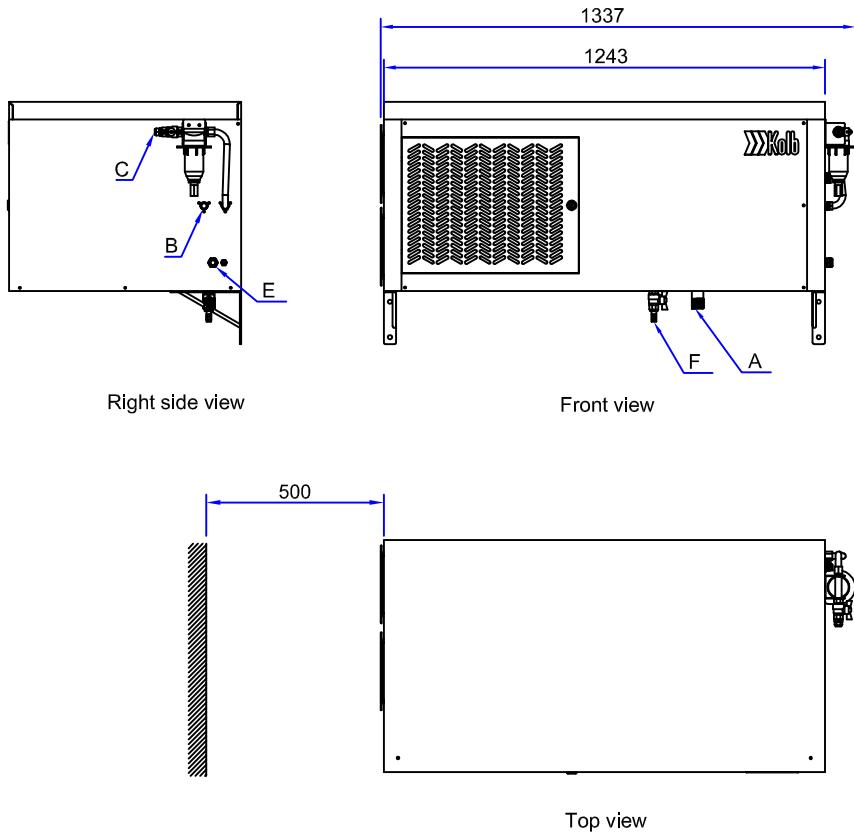


Water Cooler 50 L with Water meter K21-0500DM

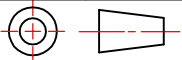


- A Overflow water outlet 1"
- B Water outlet 1/2"
- C Water inlet 1/2"
- E Power cable
- F Water outlet for cleaning
- D Dimension: 1337(W)x654(D)x683(H) mm
- N Total power consumption 1.8 kW (7.8 A)
- T Total weight 134 kg
- V Voltage 220-230V~, 50Hz, PE
- Volume 50 L
- Cold water output / hour: 150 L

** does not apply to special voltage.

Wd: Necessary minimum distance to walls:
 Control panel side 30 mm.
 Rear side: 170 mm.
 At the cooling fan side 500 mm.

Signature: _____
 Date: _____

Unassigned Tolerance According to DIN ISO 2768-1							
Dimenson	0.3 To 6	6 To 30	30 To 120	120 To 400	Radius 0.5 To 3	Radius 3 To 6	mm
Tolerance	±0.1	±0.2	±0.3	±0.5	±0.2	±0.5	mm
Kolb Huizhou Ltd.					Tel: +86 (0)752 6111 203 ext. 219		
					Mail: info@kolbcn.com		
					Website: www.kolbcn.com		
Tolerance		Customer Title: Water Cooler				Material: SS304	
X.±	X.°	Kolb Item Number:				Version: 01	
.X±	.X°	Kolb Item Name: 50 L Water Cooler					
.XX±	.XX°						
		Weight	Thickness	Item Number	Page		
				K21-0500DM	1/1		

1	Approve	Check	Draft	Bell	Unit	mm
Quantity	Date	Date	Date	29.11.2018	Scale	1:1