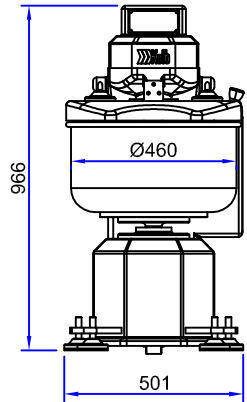
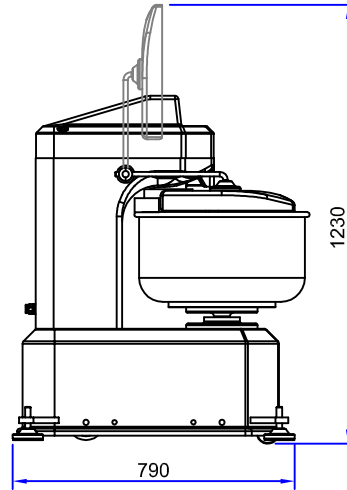


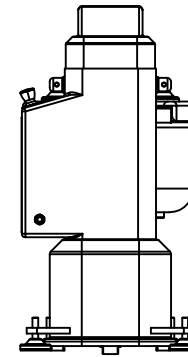
Kolb Spiral Mixer 20kg K32-0201AB4



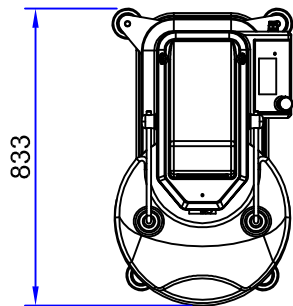
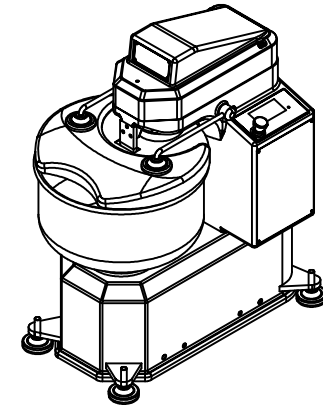
Front view



Side view



Rear view



Top view

Dimension 501(W)x833(D)x966/1230(H) mm
 Voltage 380-400V~,50Hz,3N,PE
 Power 1.5 kW (4 A)
 Power hook 1.125 kW
 Power bowl 0.25 kW
 Weight 173 kg
 Speed 2-speed
 Flour capacity 12 kg
 Dough capacity 20 kg

Signature: _____
 Date: _____

Unsigned Tolerance According to DIN ISO 2768-1

Dimension	0.3 To 6	6 To 30	30 To 120	120 To 400	Radius 0.5 To 3	Radius 3 To 6	mm
Tolerance	±0.1	±0.2	±0.3	±0.5	±0.2	±0.5	mm

Kolb Huizhou Ltd.

Tel: +86 (0)752 6111 203 ext. 219

Mail: info@kolbcn.com

Website: www.kolbcn.com

Tolerance		Customer Title: Spiral Mixer		Material:	
X.±	X.°	Kolb Item Number:		Version: 01	
.X±	.X°	Kolb Item Name: Spiral Mixer			
.XX±	.XX°	Weight		Thickness	Item Number
				K32-0201AB4	Page
					1/1

1	Approve		Check		Draft	Min	Unit	mm
Quantity	Date		Date		Date	12.04.2018	Scale	1:1