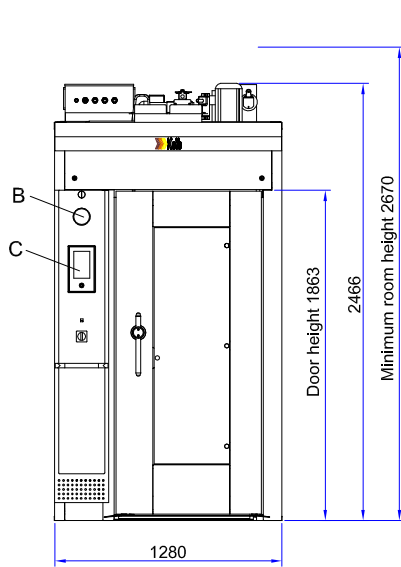
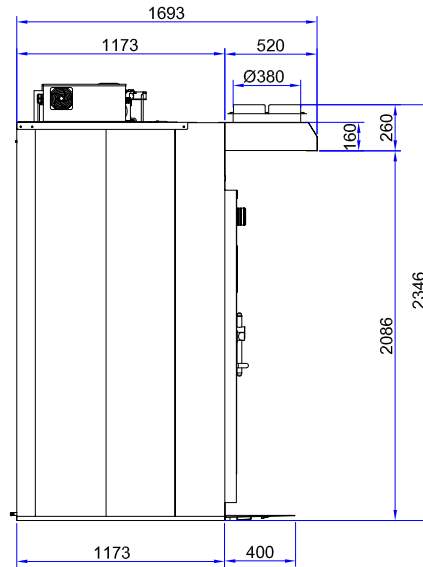




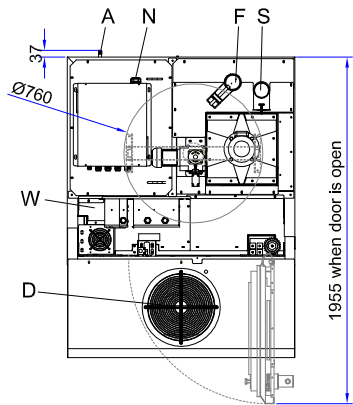
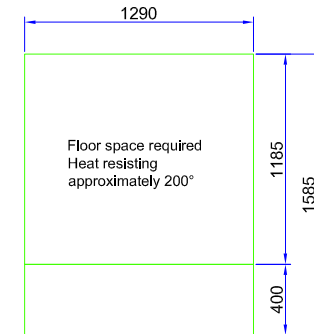
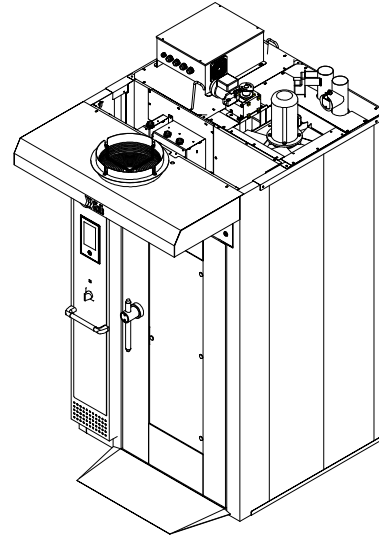
Rotary oven for trolley 600x400 K05-0604T1HS



Front view



Side view



Top view

- A: Water outlet Ø16 mm
 - B: Flash Light
 - C: Control board
 - D: Vapour discharge Ø380 mm
 - F: Fresh air duct Ø89 mm
 - N: Total Power 34.6 kW (3x53 A)
 - S: Steam discharge Ø89 mm
 - W: Water supply R1/2" from above
- Dimension with steamhood W/D/H 1280(W)x1693(D)x2466(H) mm
 Dimension without steamhood W/D/H 1280(W)x1173(D)x2466(H) mm
 Baking chamber Dim. 850(W)x860(D)x1780(H) mm
 Voltage 380-400V~,50/60Hz,3N,PE
 Optional voltage 415V~,50/60Hz,3N,PE (Specify on order)
 Weight 904 kg

Leftside and rightside can be against the wall.
 Rear side minimum distance to wall 100 mm..
 Minimum room height 2670 mm.

Remark: Air speed function

Signature: _____
 Date: _____

Unassigned Tolerance According to DIN ISO 2768-1

Dimension	0.3 to 6	6 to 30	30 to 120	120 to 400	Radius 0.5 to 3	Radius 3 to 6	mm
Tolerance	±0.1	±0.2	±0.3	±0.5	±0.2	±0.5	mm

Kolb Huizhou Ltd.

Tel: +86 (0)752 6111 203 ext. 219
 Mail: info@kolbcn.com
 Website: www.kolbcn.com

Tolerance		Customer Title: Rotary oven			Material:	
X.±	X.°	Kolb Item Number:			Version: 01	
.X±	.X°	Kolb Item Name: Rotary oven for Trolley 600x400				
.XX±	.XX°	Weight	Thickness	Item Number	Page	
				K05-0604T1HS	1/1	

1	Approve		Check		Draft	Min	Unit	mm
Quantity	Date		Date		Date	21.11.2018	Scale	1:1