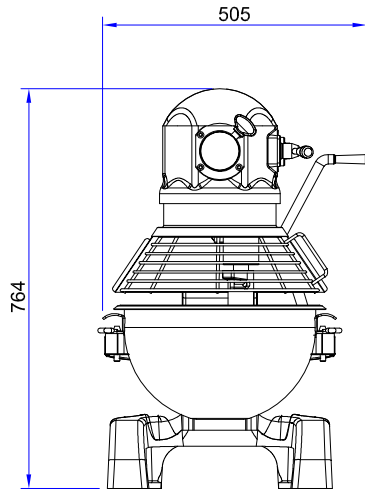
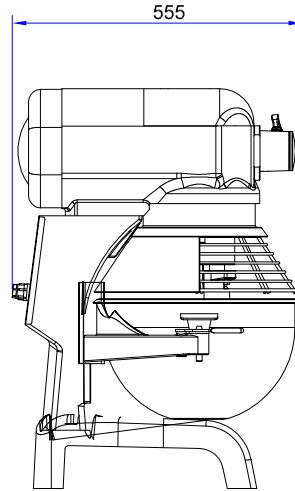


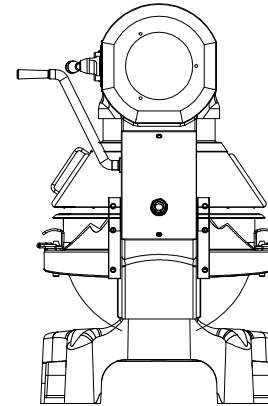
Kolb Planetary Mixer 20 L K31-0201AG3



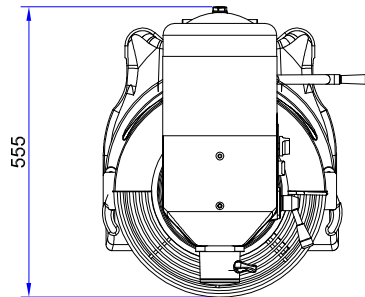
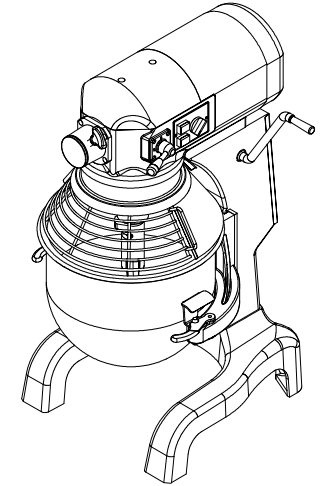
Front view



Side view



Rear view



Top view

Dimension 505(W)x555(D)x764(H) mm
 Voltage 220-230V~,50Hz,PE
 Optional frequency 60Hz (Specify on order)
 Power 1.1 kW (7.6 A)
 Weight 82 kg
 Speed 3-speed
 Bowl capacity 20 L

Signature: _____
 Date: _____

Unassigned Tolerance According to DIN ISO 2768-1

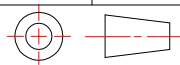
Dimension	0.3 To 6	6 To 30	30 To 120	120 To 400	Radius 0.5 To 3	Radius 3 To 6	mm
Tolerance	±0.1	±0.2	±0.3	±0.5	±0.2	±0.5	mm

Kolb Huizhou Ltd.

Tel: +86 (0)752 6111 203 ext. 219

Mail: info@kolbcn.com

Website: www.kolbcn.com

Tolerance		Customer Title: Planetary Mixer	Material:
X.±	X.°	Kolb Item Number:	Version: 01
.X±	.X°		
.XX±	.XX°		
		Kolb Item Name: Planetary Mixer	
		Weight	Thickness
		Item Number	Page
		K31-0201AG3	1/1

Quantity	Approve Date	Check Date	Draft Date	Min	Unit	mm
1				13.04.2018	Scale	1:1