

# Parrilla GMB 160



## TECHNICAL INFORMATION

Fire up time <sup>1</sup>	30 min-average
Cooking temperature	250 °C
Total cooking surface area	2 x (635 x 685mm) = 0.87m <sup>2</sup>
Initial charcoal load <sup>1</sup>	23 kg
Grill height range	350 mm
Charcoal load duration <sup>2</sup>	7 h
Equivalent power*	5.2 kW
Exhaust rate	4600 m <sup>3</sup> /h
Net weight <sup>3</sup>	395 kg
Crated weight	525 kg
Crated size (WxDxH)	1120 x 1810 x 1380 mm

\*Approximate data

1. Consult instruction manual

2. Will vary depending on quality of charcoal

3. Weight with accessories included

## FEATURES

Precision and strength is key to the PARRILLA by MIBRASA®. Effortlessly regulate the height of your grill surface thanks to the carefully engineered pulley cable and counterweight system, keeping maintenance down to a minimum.

The system lets us sear, cook and rest our ingredients, to get the optimal result every time.

ERGONOMICALLY DESIGNED WITH MAXIMUM QUALITY AND SECURITY

With a sloping grill, the grease runs down the weld-free grill bars to prevent grease build-up. Grease drips down to the collector with an easy to remove mechanism ready to clean.

The base is lined with refractory bricks to ensure maximum heat efficiency and resistance to pure fire. And the built-in cooling system in outer case guarantees a maximum level of security.

Built using quality steels providing strength and durability; ergonomically designed for practicality and ease of use, each feature plays a crucial part in delivering the ultimate grilling machine for every chef.

## INCLUDED ACCESSORIES

- 2 Rod grills [CPV160]
- 2 Mibrasa tongs [TG]
- Ember poker [PK]
- 2 Grill brushes [CEP]
- Ash shovel [PALA]
- Mibrasa Ecofire firelighters [FL]

## OPTIONAL ACCESSORIES

- V-shape grill [GV160]
- Thermal protector [EPGMB160]
- Extra rod grill [CPV160]
- Espeto skewer kit [KITESPGMB160]
- End of service lid [TAPAGMB160]
- GN support kit [SGN160]

Specifications and design are subject to change without notice.

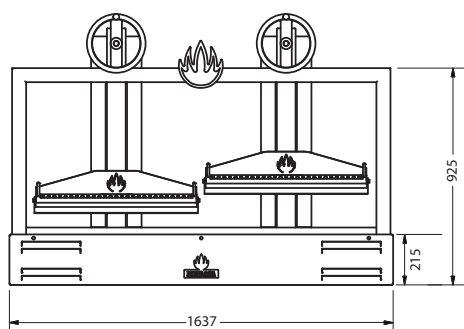
## QUALITY GUARANTEE



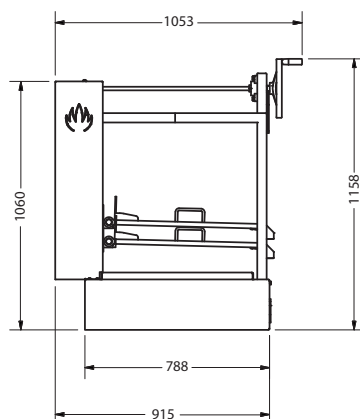


# Parrilla GMB 160

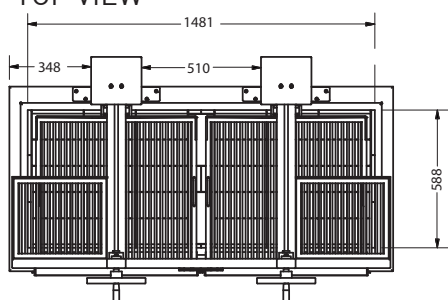
FRONT VIEW



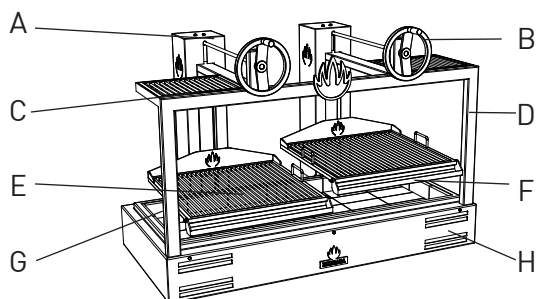
SIDE VIEW



TOP VIEW



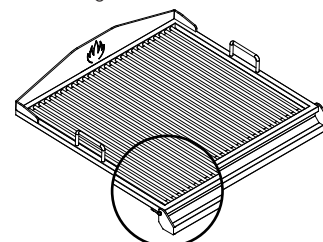
Dimensions in mm



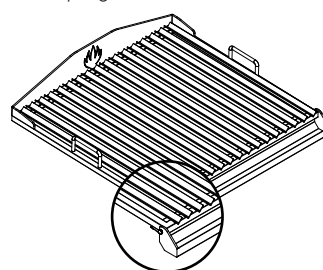
A	Reverse elevating system
B	Elevating wheel
C	Heating rack
D	Structure
E	Grill
F	Grease collector
G	Refractory bricks
H	Main body

## GRILL TYPES

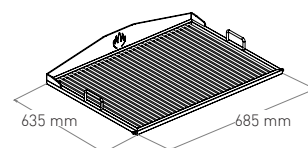
Rod bar grill



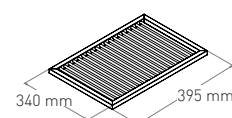
V-shape grill



## GRILL DIMENSIONS



## HEATING RACK DIMENSIONS



Revit drawings available on request at [mibrasa@mibrasa.com](mailto:mibrasa@mibrasa.com)

## INSTALLATION GUIDELINES AND SAFETY STANDARDS

Recommended installation height	700 mm
Clearances to construction/other appliances from the Parrilla	76 mm
Clearances of flammable materials from the Parrilla	300 mm
Clearance of workspace from front of the Parrilla	700 mm



\*It is recommended to use a lifting device to lift the Parrilla and place on the countertop/stand.

Consult Parrilla instruction manual for further information.

Specifications and design are subject to change without notice.



# Parrilla GMB 160

## OPTIONAL COMPLETE STAND



## TECHNICAL INFORMATION

Ref.	GMB160 + MCGMB160
Net weight <sup>3</sup>	505 kg
Crated weight <sup>3</sup>	635 kg
Crated size (WxDxH)	1120 x 1810 x 2000 mm

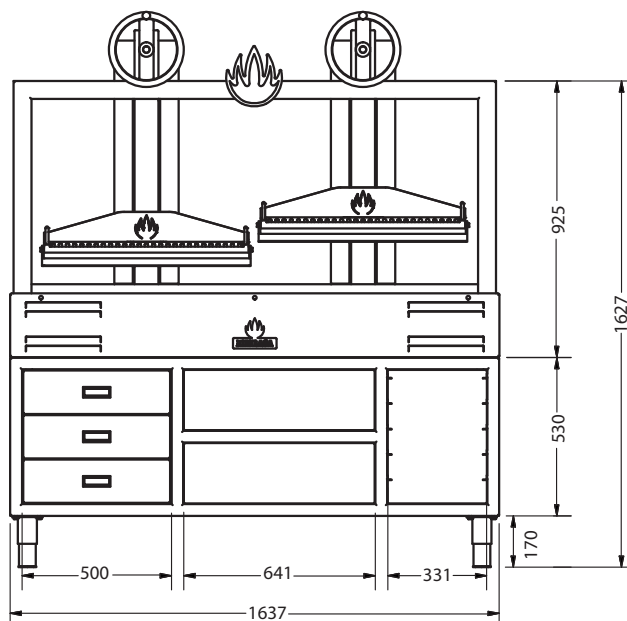
Ref.	MCGMB160
Net weight <sup>3</sup>	110 kg
Crated weight <sup>3</sup>	125 kg
Crated size (WxDxH)	1120 x 1810 x 700 mm
No. drawers	3
No. GN rack slots	5

## OPTIONAL ACCESSORIES

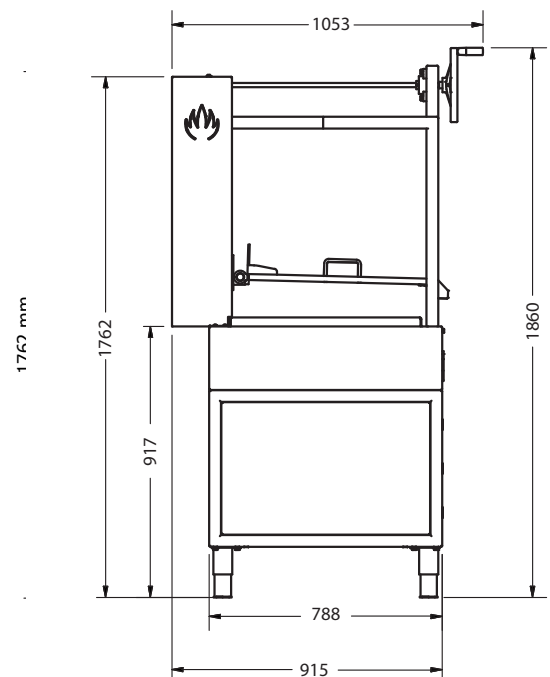
- S/S Casters [WINOX]

Dimensions in mm

### FRONT VIEW



### SIDE VIEW



Dimensions in mm

Specifications and design are subject to change without notice.



# Parrilla GMB 160

## OPTIONAL STAND



## TECHNICAL INFORMATION

Ref.	GMB160 + MGMB160
Net weight <sup>3</sup>	435kg
Crated weight <sup>3</sup>	565 kg
Crated size (WxDxH)	1120 x 1810 x 2000 mm

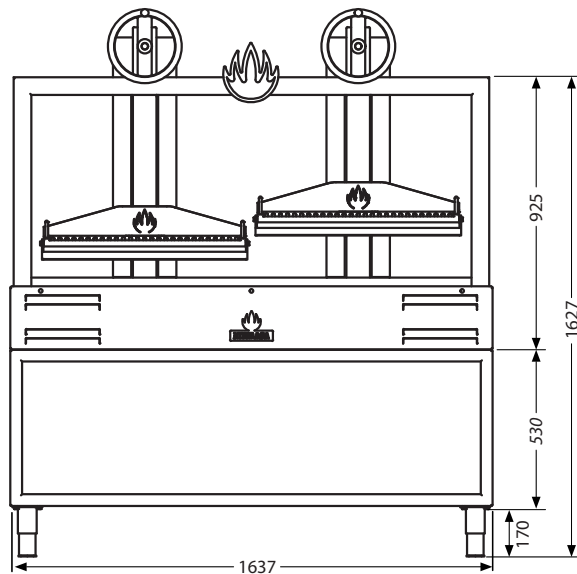
Ref.	MGMB160
Net weight <sup>3</sup>	40 kg
Crated weight <sup>3</sup>	60 kg
Crated size (WxDxH)	1120 x 1810 x 700 mm

## OPTIONAL ACCESSORIES

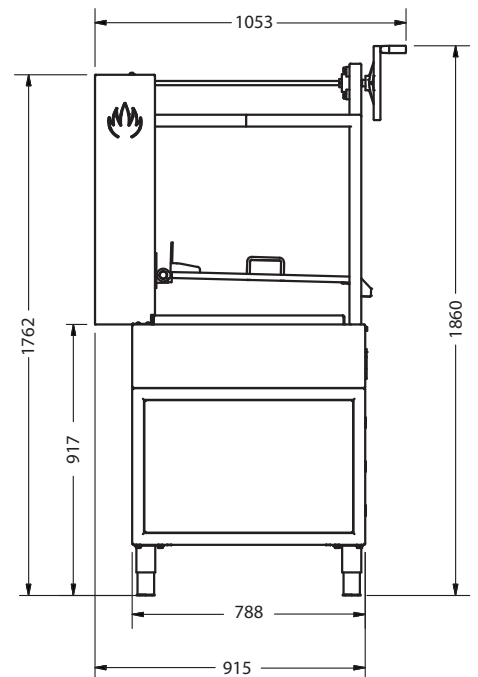
- S/S Casters [WINOX]
- Gastronorm rack [SGN160]

Dimensions in mm

### FRONT VIEW



### SIDE VIEW



Dimensions in mm

Specifications and design are subject to change without notice.