



HMB AB SB 110

Mibrasa® charcoal oven with cupboard below and heating rack



FEATURES

OUR CHARCOAL OVENS

MIBRASA® is a closed barbecue grill invented and made in our workshops. Made from the best quality steel by expert hands, our grills are designed to satisfy even the most demanding chefs.

The technical specifications allow the user to accurately control the air flow through the grill, changing the intensity of the embers. This is an extremely efficient way of cooking and cuts down the amount of charcoal needed.

MIBRASA® charcoal ovens allow you to cook all types of foods retaining the natural flavors and bringing out a unique taste.

THE VERSATILITY OF MIBRASA® CHARCOAL OVENS

We have a wide range of high quality products and accessories allowing you to completely personalize your MIBRASA® charcoal oven, adapting it to your needs.

TECHNICAL INFORMATION

Fire up time ¹	45 min-average
Cooking temperature	250 - 350 °C
Initial charcoal load ¹	15 kg
Production*	100 kg/h
Charcoal load duration ²	8 h
Gastronorm / grill	2 x GN 1/1
Equivalent power*	5 kW
Exhaust rate	3200 m ³ /h
Firebreak diameter	Ø154 mm
Duct diameter	Ø114 mm
Net weight ³	516 kg
Crated weight ³	593 kg
Crated size (WxDxH)	1100 x 1100 x 1900 mm

*Approximate data

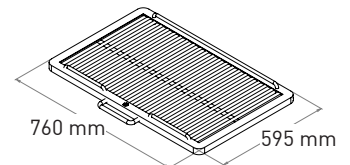
1. Consult instruction manual
2. Will vary depending on quality of charcoal
3. Weight with accessories included

DINERS PER SERVICE*



110-130

GRILL DIMENSIONS



INCLUDED ACCESSORIES

- Grill [G110]
- Grill brush [CEP]
- Oven tongs [TG]
- Mibrasa Ecofire firelighters [FL]
- Ash shovel [PALA]
- Ember poker [PK110]

OPTIONAL ACCESSORIES

- Extra grill [G110]
- Locking casters [WINOX]
- Firebreak [FB]
- Kitchenware (consult online catalogue)
- Dissipating filter [DF]
- Gastronorm rack [SGNAB]

Specifications and design are subject to change without notice.

QUALITY GUARANTEE



Mibrasa® Charcoal Oven S.L

C/Joan Rovira i Bastons, 26

17230 Palamós - Spain

+34 972 601 942 - mibrasa@mibrasa.com

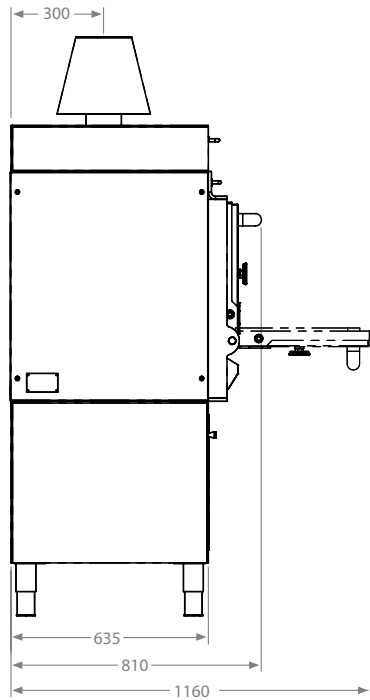
www.mibrasa.com



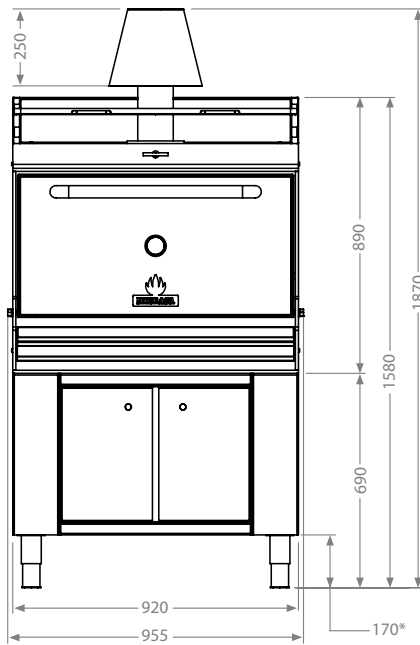
HMB AB SB 110

Mibrasa® charcoal oven with cupboard below and heating rack

SIDE VIEW



FRONT VIEW



Dimensions in mm

* Adjustable leg height: 135-195 mm

DOOR COLOR



BLACK



RED



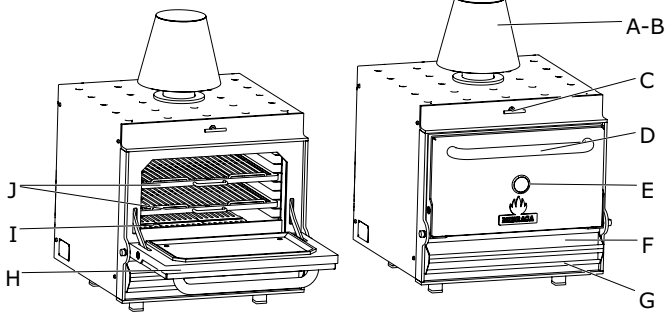
YELLOW



STAINLESS STEEL



BLUE



A	Firebreak
B	Dissipating filter
C	Upper damper
D	Door handle
E	Thermometer
F	Lower d./ash collector
G	Grease collector
H	Door
I	Charcoal grids
J	Grills

Revit drawings available on request at mibrasa@mibrasa.com

INSTALLATION GUIDELINES AND SAFETY STANDARDS

Recommended installation height	-
Clearances to construction/other appliances from oven	76 mm
Clearances of flammable materials from oven	300 mm
Clearance of workspace from front of the oven	1100 mm



*It is recommended to use a lifting device to lift the oven and place on the countertop/cupboard.

Consult oven instruction manual for further information.

Specifications and design are subject to change without notice.