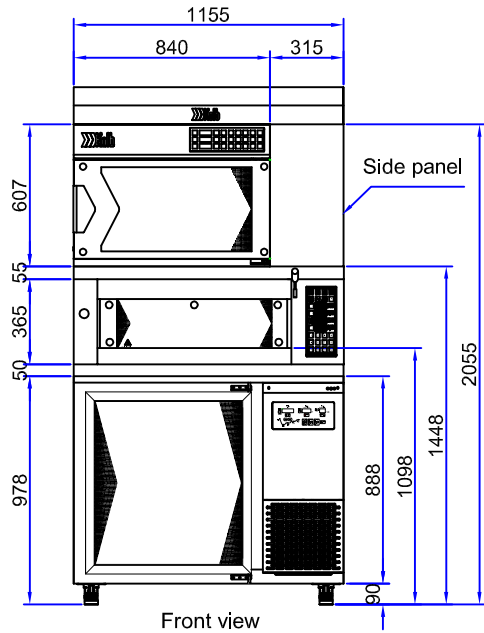




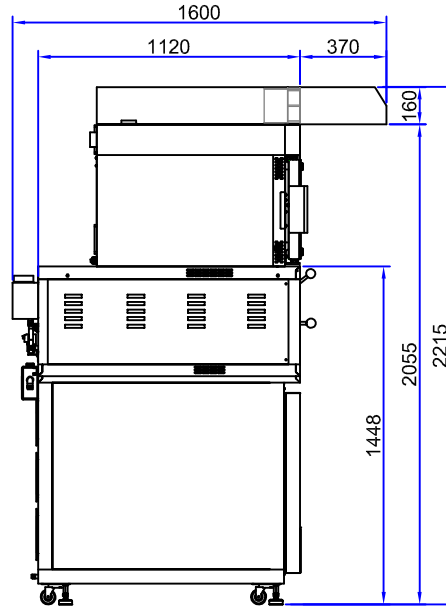
Atoll 800 with Deck Oven Laguna 800x600-1 K03-8644P1+K01-0806D10H+K12-1086D16G

Item Number:L1-80/60-6 (2 Trays 600x400)

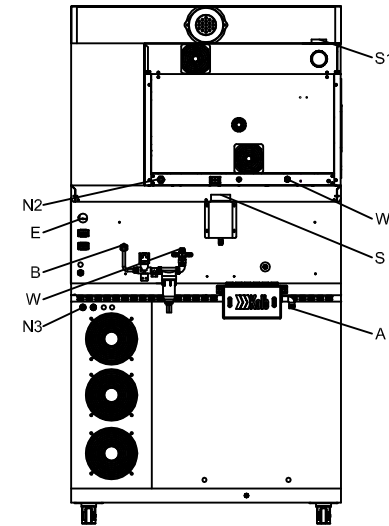
With under retarder proofer (16 trays) with steam hood and rollers



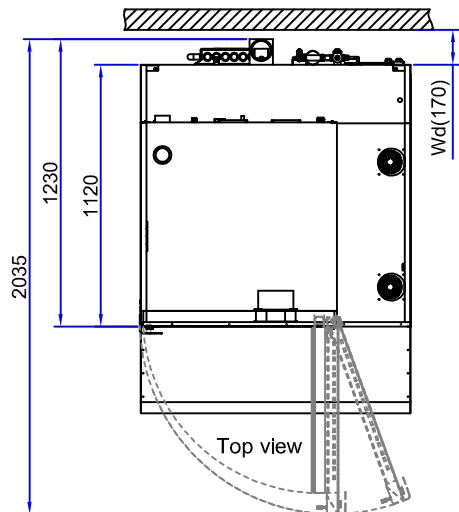
Front view



Side view



Rear view



Top view

- A Water discharge Ø23mm
- B Water installation connect
- D Dim.-Baking chamber 830x720 mm
- Tray capacity per deck 2pcs 600x400 or 1pcs 600x800 mm
- E Power cable
- N Total power consumption 16.1 kW (3x27.4 A)
- N1 Power for Deck Oven 6.0 kW (3x9.1 A)
- N2 Power for Atoll 800 9 kW (3x13.5 A)
- N3 Power for Retarder proofer 1.1 kW (4.8 A)
- S Steam discharge Ø80 mm
- S1 Steam discharge Ø63 mm
- T Total weight oven 437 kg
- V Voltage 380-400V~,50/60Hz,3N,PE
- Optional voltage 415V~ (Specify on order)
- W Connection point water supply 1/2"
- Wb Water collection box to floor drain

Wd: Necessary minimum distance to Walls:
 Left side and Right side 50 mm.
 Rear side 170 mm.

Remark: Deck oven with steam
 Deck oven with stone
 Assemble
 Disassemble

Retarder proofer Door hinges Left hand side.
 Right hand side.

Signature: _____
 Date: _____

Unassigned Tolerance According to DIN ISO 2768-1

Dimenson	0.3 To 6	6 To 30	30 To 120	120 To 400	Radius 0.5 To 3	Radius 3 To 6	mm
Tolerance	±0.1	±0.2	±0.3	±0.5	±0.2	±0.5	mm

Kolb Huizhou Ltd.

Tel: +86 (0)752 6111 203 ext. 219
 Mail: info@kolbcn.com
 Website: www.kolbcn.com

Tolerance		Customer Title: Deck Oven	Material: SS304
X.±	X.°	Kolb Item Number:	Version: 01
.X±	.X°		
.XX±	.XX°	Kolb Item Name: Deck oven 800x600-1 with under retarder proofer	
		Weight	Thickness
		Item Number	Page
			1/1

1	Approve	Check	Draft	Lucah	Unit	mm
Quantity	Date	Date	Date	01.08.2019	Scale	1:1