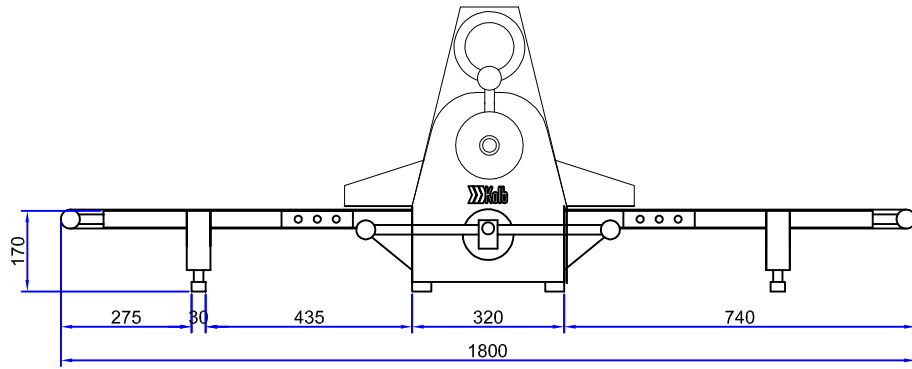
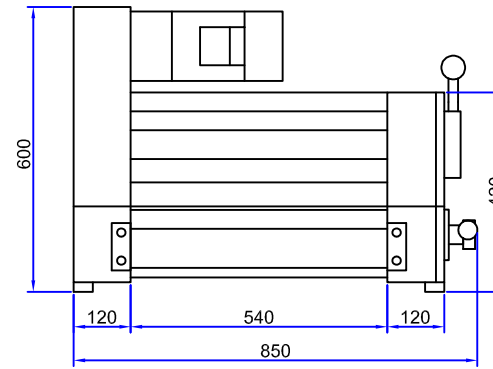


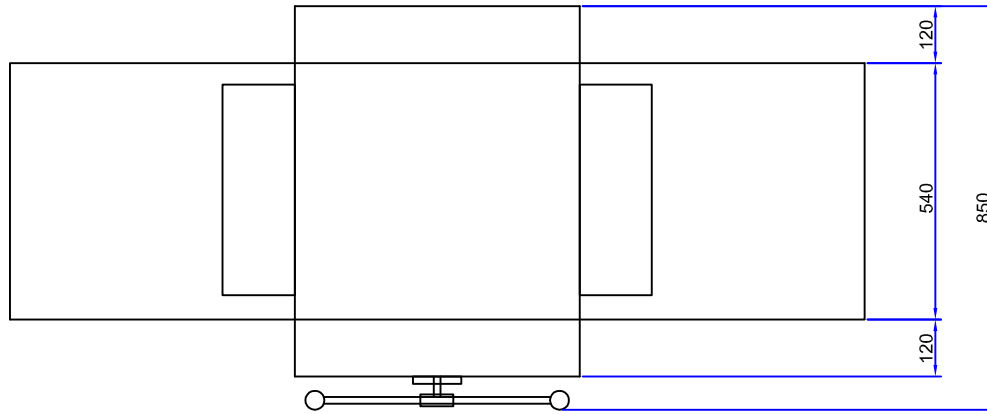
# Kolb Dough Sheeter K43-5201AT8



Front view



Side view



Top view

Type: Bench  
 Dimensions: 1800(W)x850(D)x600 (H) mm  
 Total weight: 114 kg  
 Voltage: 380-400V~,50Hz,3N,PE  
 Total power consumption: 0.4 kW (1 A)  
 Roller size: diameter 88mm x 520(W) mm  
 Conveyor size: 515 x 1700 mm

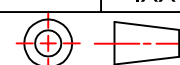
Signature: \_\_\_\_\_  
 Date: \_\_\_\_\_

### Unassigned Tolerance According to DIN ISO 2768-1

Dimension	0.3 To 6	6 To 30	30 To 120	120 To 400	Radius 0.5 To 3	Radius 3 To 6	mm
Tolerance	±0.1	±0.2	±0.3	±0.5	±0.2	±0.5	mm

## Kolb Huizhou Ltd.

Tel: +86 (0)752 6111 203 ext. 219  
 Mail: info@kolbcn.com  
 Website: www.kolbcn.com

Tolerance		Customer Title: Dough Sheeter		Material: SS304	
X.±	X.°	Kolb Item Number:		Version: 01	
.X±	.X°	Kolb Item Name: Dough Sheeter			
.XX±	.XX°	Weight	Thickness	Item Number	Page
				K43-5201AT8	1/1

1	Approve		Check		Draft	Min	Unit	mm
Quantity	Date		Date		Date	12.04.2018	Scale	1:1