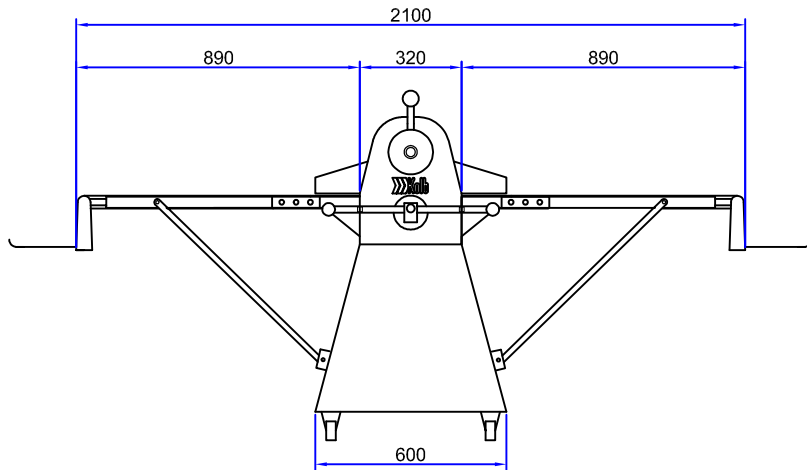
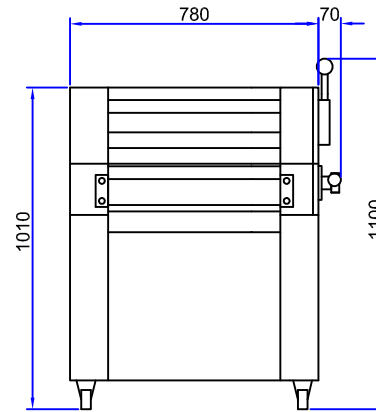


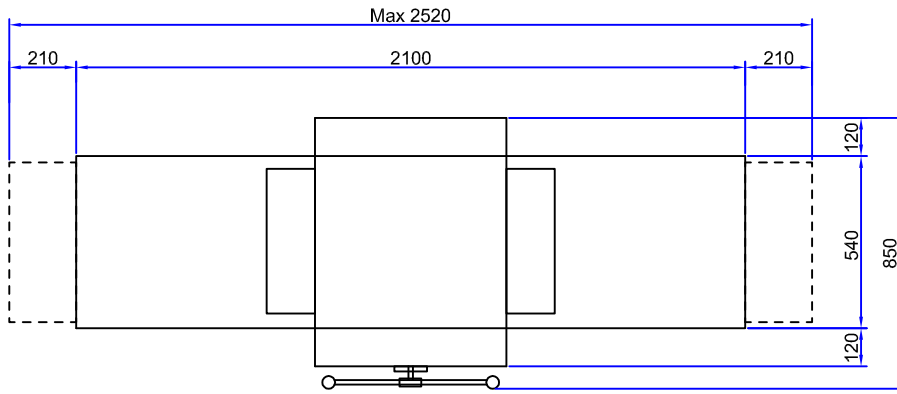
Kolb Dough Sheeter K43-5201AF8



Front view



Side view



Top view

Type: A frame
 Dimensions: 2100(W)x850(D)x1100 (H) mm
 Total weight: 170 kg
 Voltage: 380-400V~,50Hz,3N,PE
 Total power consumption: 0.4 kW (1 A)
 Roller size: diameter 88mm x 520(W)mm
 Conveyor size: 515 x 2000 mm

Signature: _____
Date: _____

Unsigned Tolerance According to DIN ISO 2768-1

Dimension	0.3 To 6	6 To 30	30 To 120	120 To 400	Radius 0.5 To 3	Radius 3 To 6	mm
Tolerance	±0.1	±0.2	±0.3	±0.5	±0.2	±0.5	mm

Kolb Huizhou Ltd.

Tel: +86 (0)752 6111 203 ext. 219
 Mail: info@kolbcn.com
 Website: www.kolbcn.com

Tolerance		Customer Title: Dough Sheeter		Material: SS304	
X.±	X.°	Kolb Item Number:			Version: 01
.X±	.X°	Kolb Item Name: Dough Sheeter			
.XX±	.XX°				
		Weight	Thickness	Item Number	Page
				K43-5201AF8	1/1

1	Approve	Check	Draft	Min	Unit	mm
Quantity	Date	Date	Date	2019.10.21	Scale	1:1