

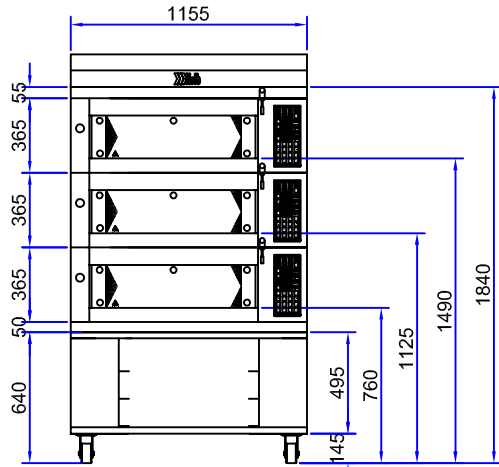


Deck Oven Laguna 800x600-3 K01-0806D3FH

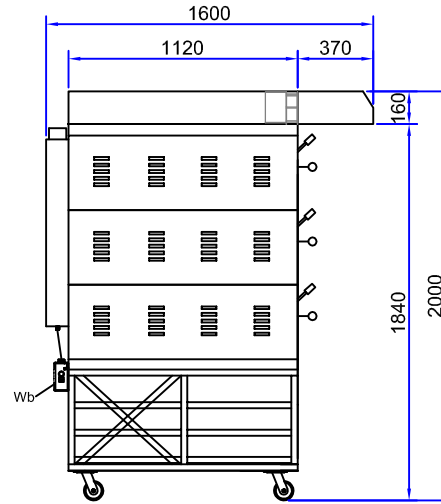
Item Number: L3-80/60-666 (6 Trays 600x400)

With underframe (6 trays) steam hood and rollers

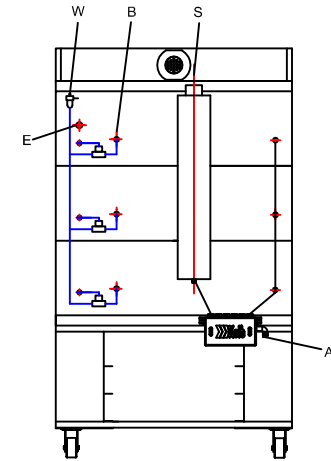
Additional info:
also available with Touch
Screen PCB, product code
"K01-0806T3FH"



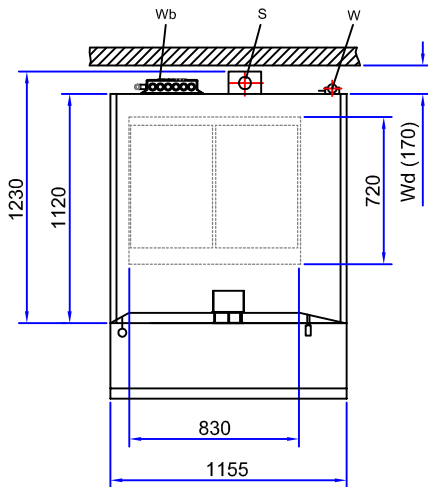
Front view



Side view



Rear view



Top view

- A Water outlet $\varnothing 23$ mm
- B Water inlet $\varnothing 80$ mm
- D Dim.Baking chamber 830x720 mm
- Tray capacity per deck 2pcs 600x400 or 1pcs 600x800 mm
- E Power cable
- N Total power consumption 18 kW (3x27.3 A)
- S Steam discharge $\varnothing 80$ mm
- T Total weight 524 kg
- V Voltage 380-400V~50/60Hz,3N,PE
- Optional voltage 415V ~ (Specify on order)
- W Connection point of water supply 1/2"
- Wb Water collection box to floor drain

Wd: Necessary minimum distance to Walls:
Left side and Right side 50 mm.
Rear side 170 mm

Remark:Each deck with steam.
Each deck with stone.

- Assemble
- Disassemble

Signature: _____
Date: _____

Unassigned Tolerance According to DIN ISO 2768-1

Dimension	0.3 to 6	6 to 30	30 to 120	120 to 400	Radius 0.5 to 3	Radius 3 to 6	mm
Tolerance	± 0.1	± 0.2	± 0.3	± 0.5	± 0.2	± 0.5	mm

Kolb Huizhou Ltd.

Tel: +86 (0)752 6111 203 ext. 219

Mail: info@kolbcn.com

Website: www.kolbcn.com

Tolerance		Customer Title: Deck oven		Material:	
X.±	X.°	Kolb Item Number:		Version: 01	
.X±	.X°	Kolb Item Name: Deck oven Laguna 800x600-3			
.XX±	.XX°	Weight	Thickness	Item Number	Page
				K01-0806D3FH	1/1

1	Approve	Check	Draft	Lucah	Unit	mm
Quantity	Date	Date	Date	13.08.2019	Scale	1:1