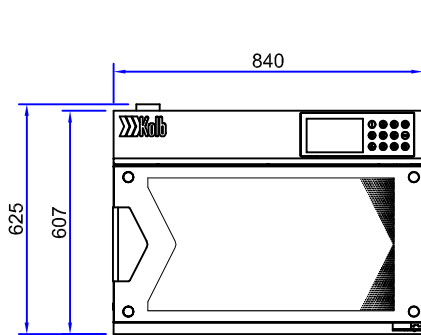
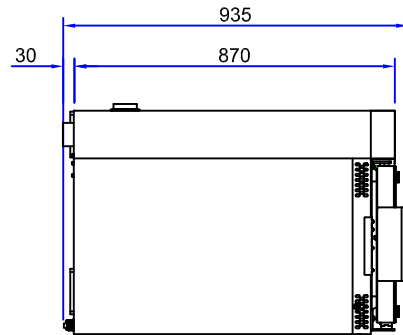


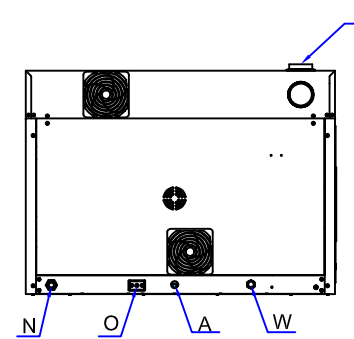
Convection Atoll 800 K03-8644T1



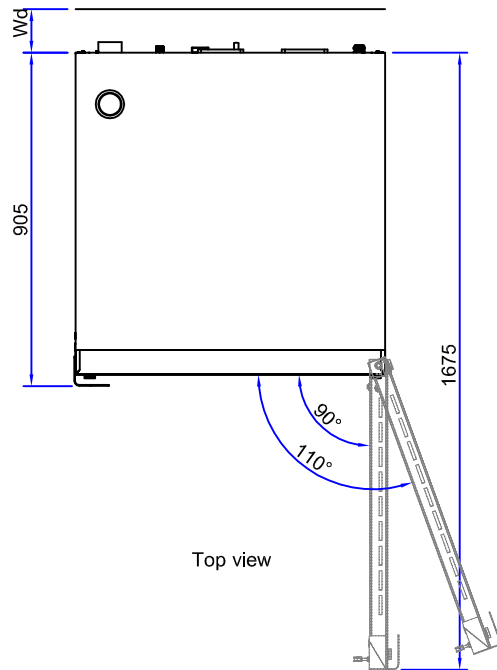
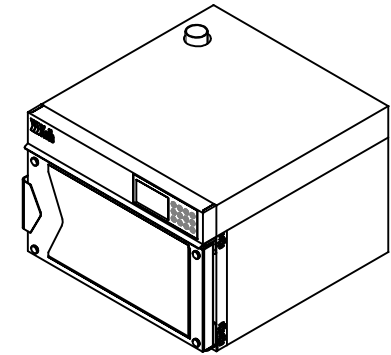
Front view



Side view



Rear view



Top view

- A: Water discharge $\varnothing 12$ mm
- N: Power consumption 9 kW (3x13.5 A)
- O: Over heat protector
- S: Steam discharge
- T: Total weight 105 kg
- V: Voltage 380-400V~, 50/60Hz, 3N, PE
- Optional voltage 415V~ (Specify on order)
- W: Connection point water supply 1/2"

Wd: Necessary minimum distance to Walls:
 Left side and Right side 50 mm.
 Rear side 170 mm.

Door hinges Left side.

Right side.

Signature: _____
 Date: _____

Unassigned Tolerance According to DIN ISO 2768-1

Dimension	0.3 To 6	6 To 30	30 To 120	120 To 400	Radius 0.5 To 3	Radius 3 To 6	mm
Tolerance	± 0.1	± 0.2	± 0.3	± 0.5	± 0.2	± 0.5	mm

Kolb Huizhou Ltd.

Tel: +86 (0)752 6111 203 ext. 219

Mail: info@kolbcn.com

Website: www.kolbcn.com

Tolerance Customer Title: Atoll 800 Material: SS304

X.± X.° Kolb Item Number: Version: 01

.X± .X° Kolb Item Name: Convection Atoll 800

.XX± .XX° Weight Thickness Item Number Page
 K03-8644T1 1/1

1	Approve	Check	Draft	Lucah	Unit	mm
Quantity	Date	Date	Date	05.08.2019	Scale	1:1

