

## GAS AUTOMATIC RICE COOKERS

MODEL CRA2-100N (Double Deck)

MODEL CRA2-150N (Triple Deck)



CRA2-100N



CRA2-150N



### Automatic Cooking

Cooking capacity is maximum 7kg rice at each deck. Rice is cooked automatically. Controller adjust cooking length and temperatures by the thermistor sensor.

### Consistent Rice Quality

4-level burner flame control during cooking by each cooking mode contributes to consistent rice quality. 3 menu cooking menus, white rice, mixed rice and rice porridge are standard.

### Heavy Duty Construction

Both sides and back exterior are 0.8mm thick stainless steel and interior panel is 1.0mm aluminum coated steel. Rice pod and lid are heavy duty aluminum casting.

### Semi Automatic Cooking

Manual timer mode(1min-60min) is installed. This function is useful when boiling rice has stopped earlier due to a lot of seasonings.

### Cooking Adjustment

Cooking time can be adjusted by the adjust key when softer or harder rice is preferred.

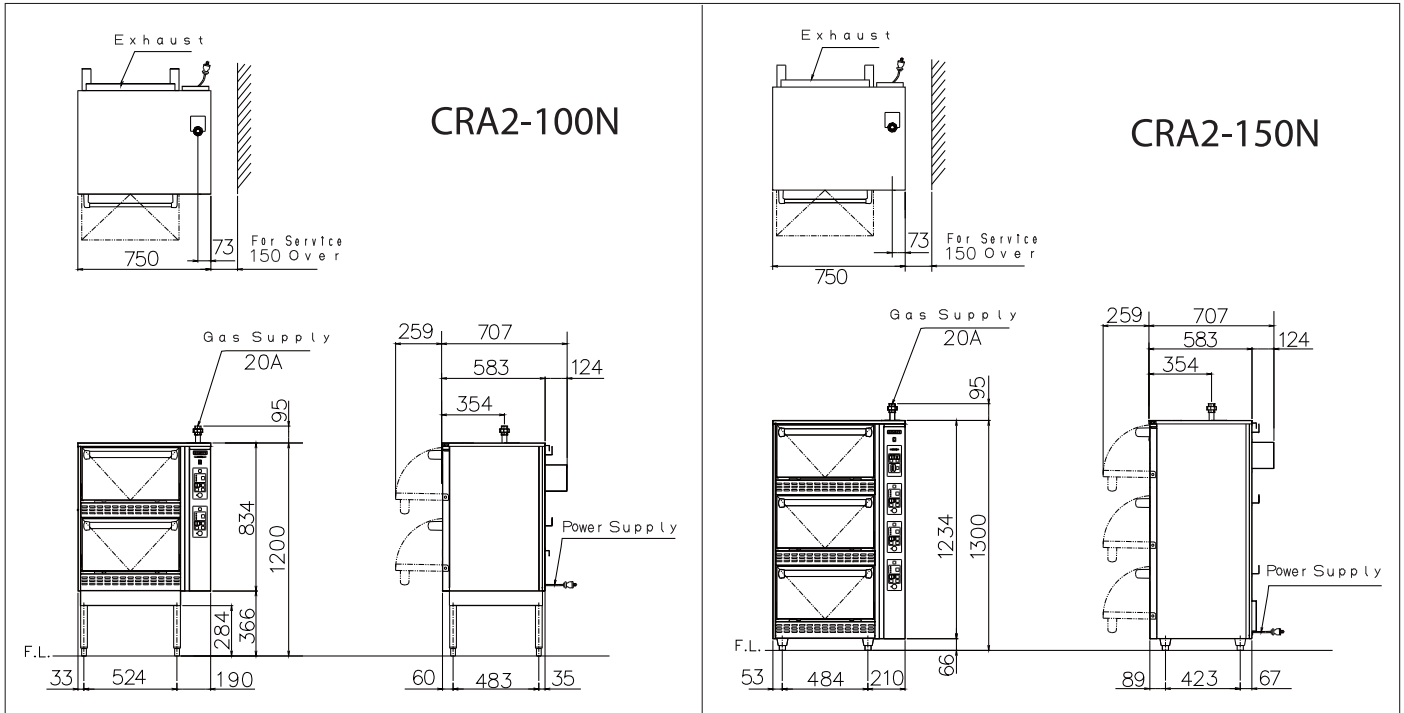
### Safety Device

Flame failure safety device, overheating prevention device, and automatic stopping operations device (in case of overtime) are equipped.

### Pre-Set Timer

(Model CRA2-100N-PS, CRA2-150N-PS)

Rice cooking can be started by setting time on the pre-set timer. The starting time can be set independently at each deck.



## SPECIFICATION

Model No	Dimensions(mm)			Gas Input		Gas Conn. in. (mm)	Cooking Capacity	Electric Connection	
	W	D	H	Natural Gas	LPG				
CRA2-100N	750	707	1200	20.9kW/h (18,000kcal/h) (71,500Btu/h)	20.9kW/h (1.50kg/h) (71,500Btu/h)	3/4"(20)	9L(7kg)×2	30W	AC(100V/110V /200V/220V /230V/240V) (50/60Hz) 1 phase
CRA2-150N	750	707	1300	31.4kW/h (27,000kcal/h) (107,000Btu/h)	31.4kW/h (2.25kg/h) (107,000Btu/h)	3/4"(20)	9L(7kg)×3	45W	
CRA2-100N-PS	750	707	1200	20.9kW/h (18,000kcal/h) (71,500Btu/h)	20.9kW/h (1.50kg/h) (71,500Btu/h)	3/4"(20)	9L(7kg)×2	33W	
CRA2-150N-PS	750	707	1300	31.4kW/h (27,000kcal/h) (107,000Btu/h)	31.4kW/h (2.25kg/h) (107,000Btu/h)	3/4"(20)	9L(7kg)×3	48W	

IMPORTANT : SPECIFY VOLTAGE AS WELL AS TYPE OF GAS AT YOUR ORDER. (Natural gas or LP gas)

Manufactured by  
**COMET KATO MFG.CO.,LTD.**

I-9,Kabutoshinden,Sobuecho,Inazawa-shi,Aichipref,Japan  
 Telephone : +81-587-97-8441 Fax Number : +81-587-97-8448  
 E-mail : hisyo@cometkato.co.jp http://www.cometkato.co.jp

Sold by