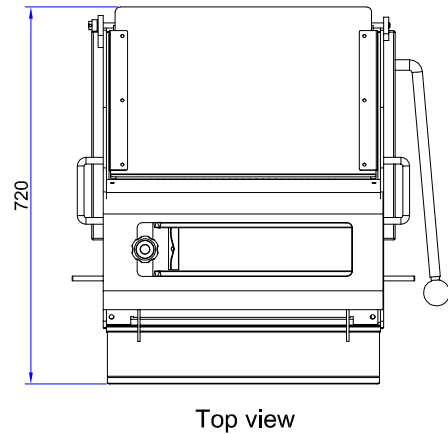
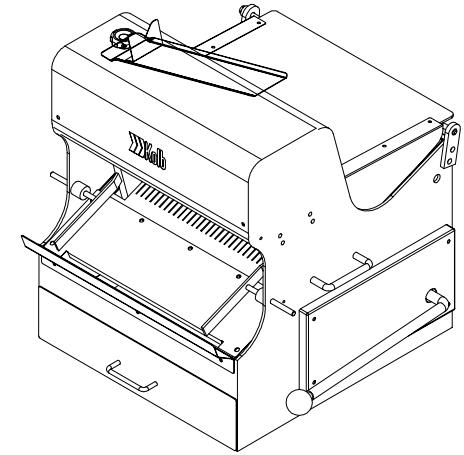
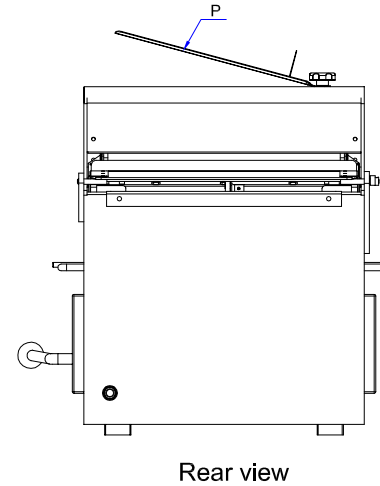
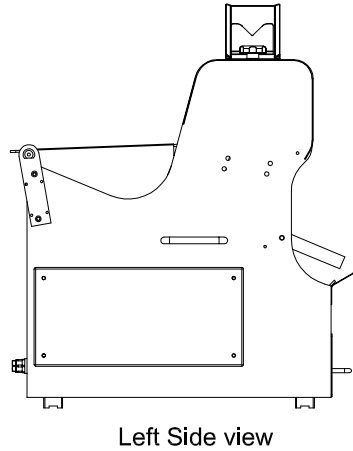
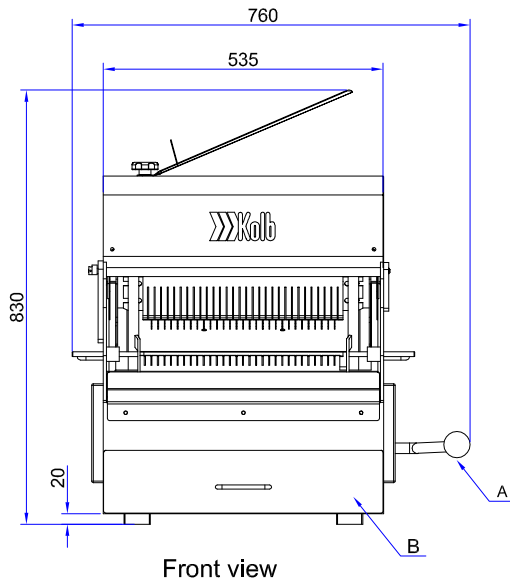


# Kolb Bread Slicer K45-0121AS4



A: ON/OFF Switch  
 B: Wast box removable  
 P: Bread Packing holder

Dimension: 760(W)x720(D)x830(H) mm  
 Weight of machine: 115 kg  
 Power: 0.373 kW  
 Voltage: 220-230V~, 50Hz, PE  
 Current: 4 A  
 Longest cutting size: 385 mm  
 Cut thickness: 12 mm

Signature: \_\_\_\_\_  
 Date: \_\_\_\_\_

### Unassigned Tolerance According to DIN ISO 2768-1

Dimension	0.3 To 6	6 To 30	30 To 120	120 To 400	Radius 0.5 To 3	Radius 3 To 6	mm
Tolerance	±0.1	±0.2	±0.3	±0.5	±0.2	±0.5	mm

## Kolb Huizhou Ltd.

Tel: +86 (0)752 6111 203 ext. 219  
 Mail: info@kolbcn.com  
 Website: www.kolbcn.com

Tolerance		Customer Title: Bread Slicer		Material: SS304	
X.±	X.°	Kolb Item Number:		Version: 01	
.X±	.X°	Kolb Item Name: Bread Slicer technical drawing			
.XX±	.XX°	Weight	Thickness	Item Number	Page
				K45-0121AS4	1/1

1	Approve		Check		Draft	Min	Unit	mm
Quantity	Date		Date		Date	13.04.2018	Scale	1:1