

Introduction of advanced international technology and make some improvements
 Pulse Valve used for controlling the compressed air of dust remover filter system
 The key components adopt advanced material
 Pneumatic control type, solenoid control type and Ex-proof solenoid control type
 for optional
 Female thread connection port, it is easy for installing

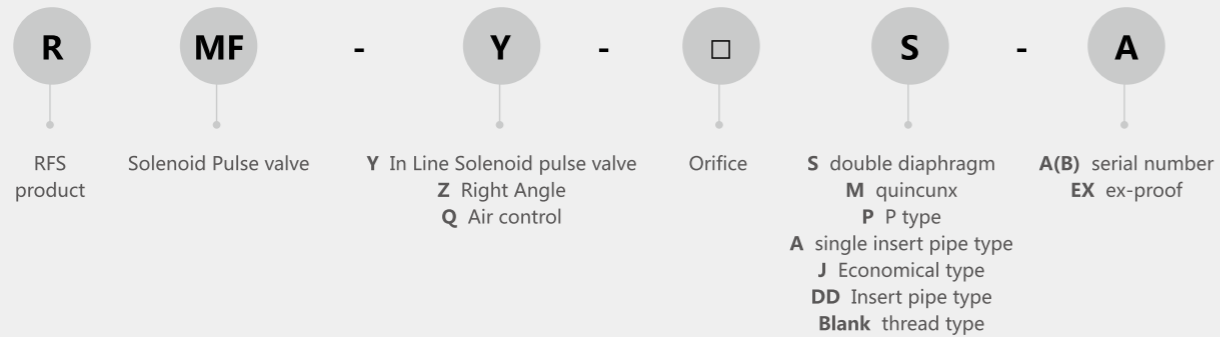
- 98-101
Right Angle Pulse Jet Valve
- 102-105
In Line Pulse Jet Valve
- 106-109
Air Control Pulse Jet Valve
- 110-111
Explosion-proof Pulse Jet Valve
- 112-113
Sequential Controller
- 114
RB Series Fitting
- 114
Venturi Tube
- 114
Diaphragm
- 115
Cylinder with Solenoid Valve

➤ Right Angle Pulse Jet Valve

- Introduction of advanced international technology and make some improvements
- Pulse Valve used for controlling the compressed air of dust remover filter system
- The key components adopt advanced material
- Pneumatic control type, solenoid control type and Ex-proof solenoid control type for optional
- Female thread connection port, it is easy for installing



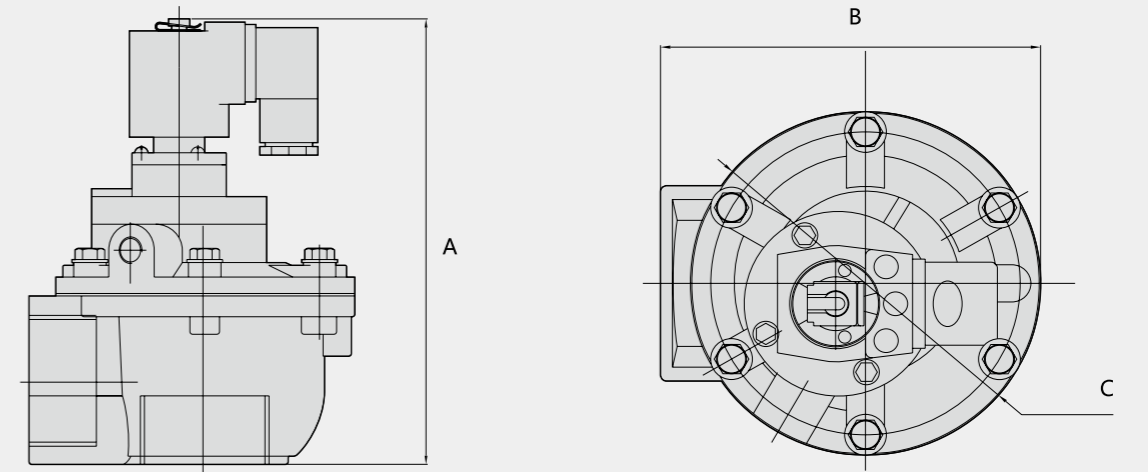
Ordering Code



Parameters

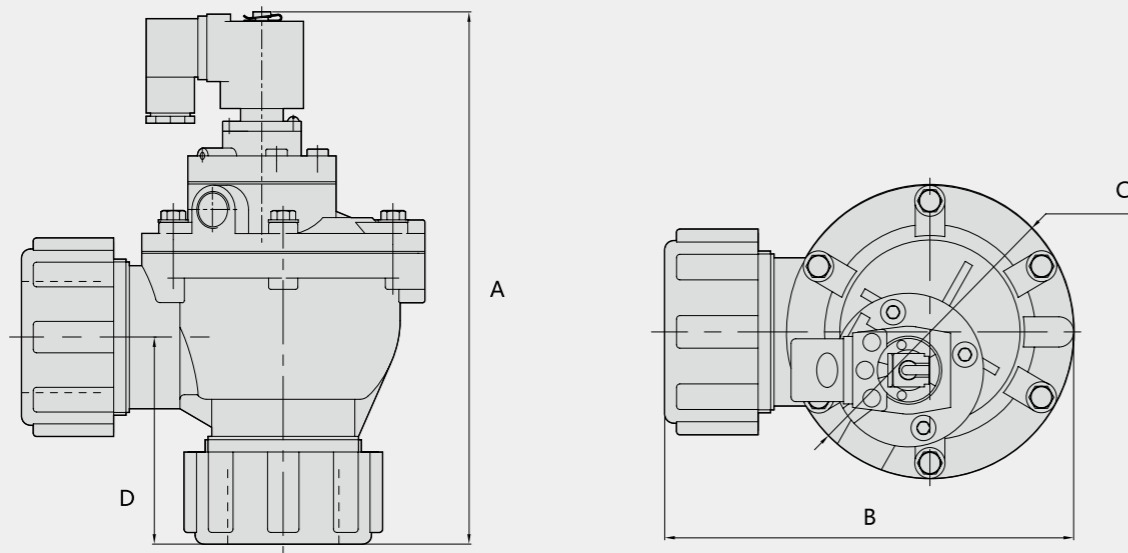
| Model | Working pressure | Ambient Temp. | Relative Humidity | Media | Voltage | Power | Diaphragm Life | Orifice | Connection ports |
|-------------|------------------|---------------|-------------------|-----------|-----------------------------------|-----------------|----------------------------|---------|---------------------|
| RMF-Z-15M | 0.3 ~ 0.8MPa | -5~55° C | < 85% | Clean Air | AC110V AC220V DC24V ±10% | DC20W AC25VA | Over one Million cycles | Φ15mm | G1/2" |
| RMF-Z-20M | | | | | | | | Φ20mm | G3/4" |
| RMF-Z-20J | | | | | | Φ20mm | | G3/4" | |
| RMF-Z-25J | | | | | | DC12W AC15VA | | Φ25mm | G1" |
| RMF-Z-20A | | | | | | Φ20mm | | G3/4" | |
| RMF-Z-20P | | | | | | DC20W AC25VA | | Φ20mm | G3/4" |
| RMF-Z-25P | | | | | | Φ25mm | | G1" | |
| RMF-Z-20 | | | | | | DC21W AC18VA | | Φ20mm | G3/4" |
| RMF-Z-25 | | | | | | Φ25mm | | G1 | |
| RMF-Z-35P | | | | | | DC20W/AC25VA | | Φ35mm | G1 ¹ /2" |
| RMF-Z-40S | | | | | | DC30W/AC28VA | | Φ40mm | G1 ¹ /2" |
| RMF-Z-45P | | | | | | DC20W/AC25VA | | Φ45mm | G1 ¹ /2" |
| RMF-Z-50S | | | | | | | | Φ50mm | G2" |
| RMF-Z-50S-A | | | | | | DC30W/AC28VA | | Φ50mm | G2" |
| RMF-Z-62S | | | | | | DC20W/AC25VA | | Φ62mm | G2 ¹ /2" |
| RMF-Z-62S-A | | | | | | DC30W/AC28VA | | Φ62mm | G2 ¹ /2" |
| RMF-Z-76S | | | | | | DC20W AC25VA | | Φ76mm | G3" |
| RMF-25DD | | | | | | | | Φ25mm | Φ35 |
| RMF-45DD | | | | | | | | Φ40mm | Φ50 |

Overall Dimension



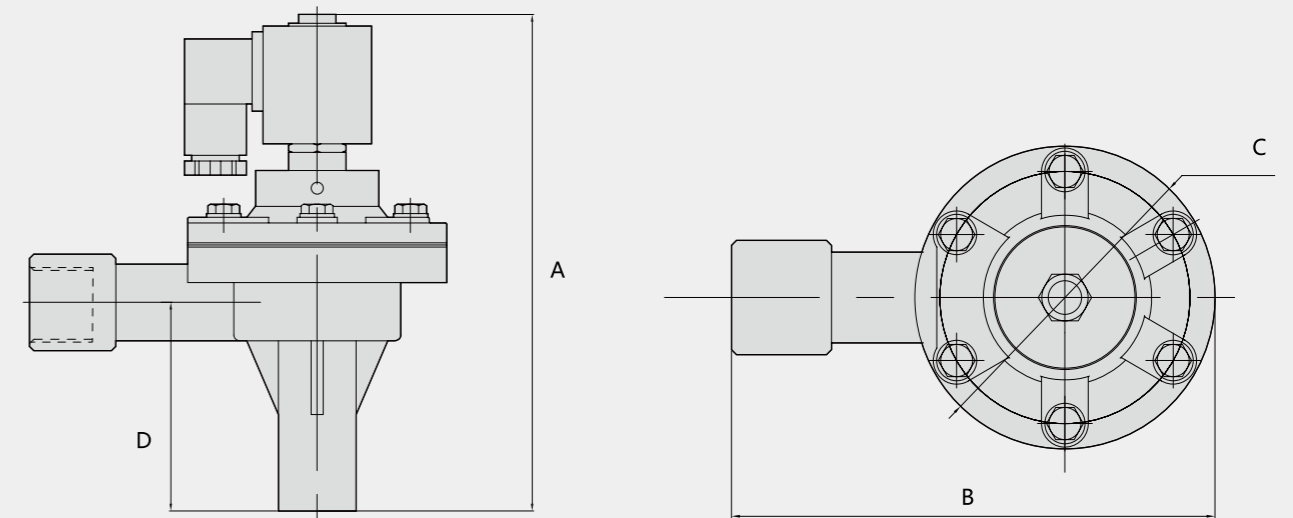
| Model | A | B | C |
|-------------|-----|-------|-----------|
| RMF-Z-15M | 124 | 102 | Φ92 |
| RMF-Z-20M | 124 | 102 | Φ92 |
| RMF-Z-20J | 124 | 88 | Φ74 |
| RMF-Z-25J | 124 | 88 | Φ74 |
| RMF-Z-20P | 124 | 104.5 | 82.5×82.5 |
| RMF-Z-25P | 124 | 104.5 | 82.5×82.5 |
| RMF-Z-20 | 112 | 88 | Φ74 |
| RMF-Z-25 | 112 | 88 | Φ74 |
| RMF-Z-35P | 142 | 121 | Φ111.5 |
| RMF-Z-40S | 162 | 131 | Φ117 |
| RMF-Z-45P | 174 | 138 | Φ126 |
| RMF-Z-50S | 202 | 205 | Φ184 |
| RMF-Z-50S-A | 208 | 167.5 | Φ145 |
| RMF-Z-62S | 222 | 210 | Φ185 |
| RMF-Z-62S-A | 208 | 167.5 | Φ145 |
| RMF-Z-76S | 245 | 230 | Φ200 |

Overall Dimension



| Model | A | B | C | D |
|----------|-----|-----|-----------|----|
| RMF-25DD | 185 | 127 | 82.5×82.5 | 83 |
| RMF-45DD | 236 | 178 | Φ126 | 92 |

Overall Dimension



| Model | A | B | C | D |
|-----------|-----|-----|-----|----|
| RMF-Z-20A | 190 | 144 | Φ90 | 86 |

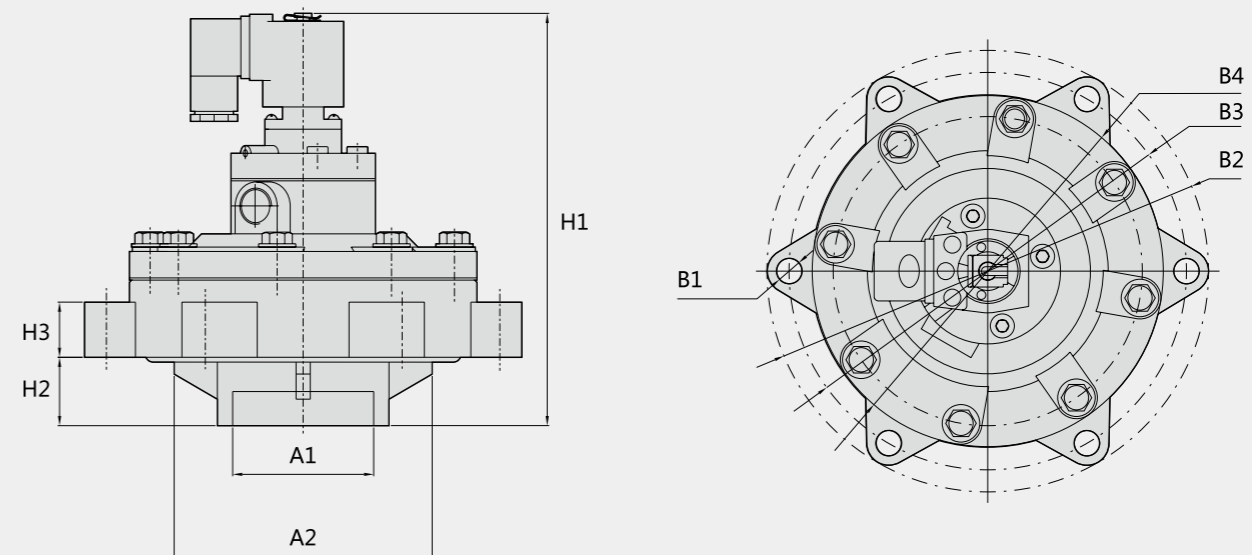
➤ In Line Pulse Jet Valve



Parameters

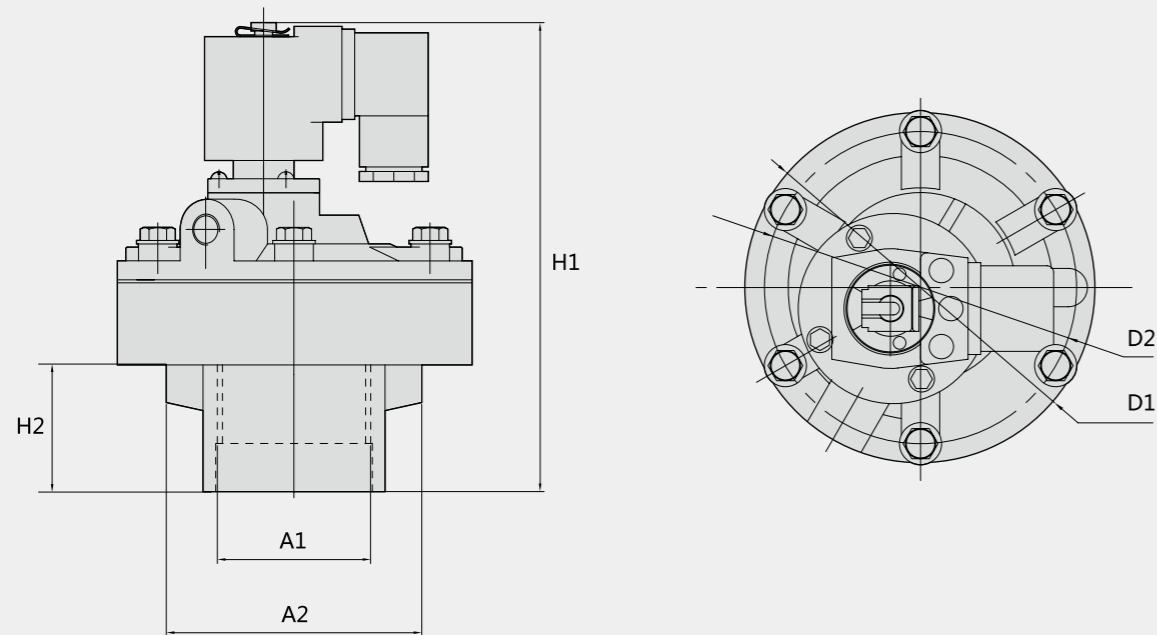
| Model | Working pressure | Ambient Temp. | Relative Humidity | Media | Voltage | Power | Diaphragm Life | Orifice | Connection ports |
|-------------|------------------|---------------|-------------------|-----------|-----------------------------------|--------------|-------------------------|----------------------------------|------------------|
| RMF-Y-25 | 0.3 ~ 0.8MPa | -5~55° C | < 85% | Clean Air | AC110V AC220V DC24V ±10% | DC12W/AC15VA | Over one Million cycles | Φ25mm | G1" |
| RMF-Y-40 | | | | | | Φ45mm | | G1 ¹ / ₂ " | |
| RMF-Y-50S | | | | | | Φ50mm | | Φ62.5mm | |
| RMF-Y-62S | | | | | | Φ62mm | | Φ76mm | |
| RMF-Y-86S | | | | | | Φ76mm | | Φ86mm | |
| RMF-Y-76S-B | | | | | | DC30W/AC28VA | | Φ76mm | Φ88mm |
| RMF-Y-76S-A | | | | | | DC20W/AC25VA | | Φ75mm | Φ88mm |
| RMF-Y-76S | | | | | | | | Φ76mm | Φ90mm |

Overall Dimension



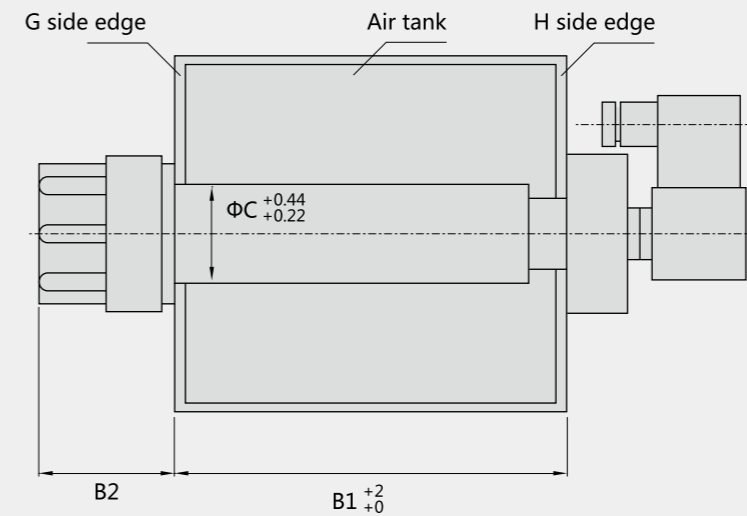
| Model | A1 | A2 | B1 | B2 | B3 | B4 | H1 | H2 | H3 |
|-------------|-------|--------|---------|------|------|------|-----|------|------|
| RMF-Y-50S | Φ62.5 | Φ118 | 6-Φ12 | Φ200 | Φ180 | Φ159 | 187 | 30.5 | 34.5 |
| RMF-Y-62S | Φ76 | Φ143.5 | 6-Φ11.5 | Φ230 | Φ207 | Φ185 | 197 | 34 | 35 |
| RMF-Y-76S-B | Φ88 | Φ166 | 8-Φ10.5 | Φ220 | Φ188 | | 174 | 55 | 10 |
| RMF-Y-76S-A | Φ88 | Φ166 | 8-Φ11.5 | Φ220 | Φ188 | | 174 | 55 | 10 |
| RMF-Y-76S | Φ90 | Φ141 | 6-Φ12 | Φ248 | Φ227 | Φ200 | 205 | 34.5 | 27 |

Overall Dimension



| Model | A1 | A2 | H1 | H2 | D1 | D2 |
|-----------|---------|-------|-----|------|------|-------|
| RMF-Y-25 | G1" | Φ58.5 | 142 | 30.2 | Φ84 | Φ77 |
| RMF-Y-40 | G1-1/2" | Φ75 | 147 | 40 | Φ112 | Φ98.5 |
| RMF-Y-86S | Φ86 | Φ158 | 191 | 50 | Φ200 | Φ176 |

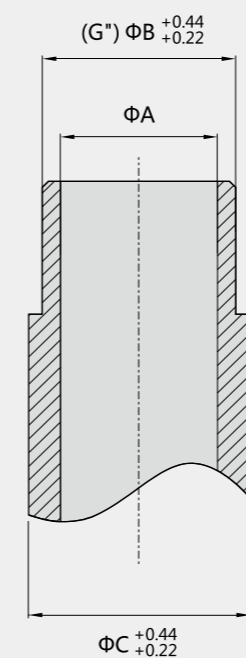
RMF-Y-25, RMF-Y-40 Installation method



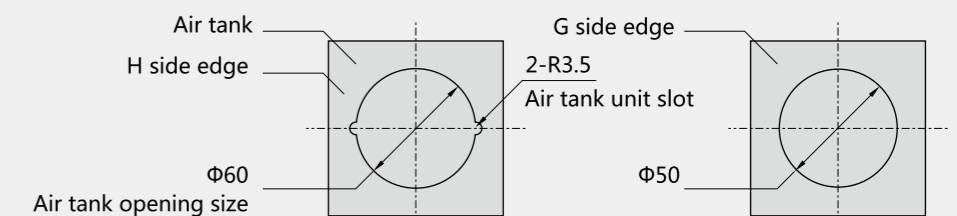
| Model | ΦC | B1 | B1 |
|----------|----|-----|----|
| RMF-Y-25 | 34 | 180 | 61 |
| RMF-Y-40 | 48 | 240 | 66 |

In Line Solenoid Pulse Valve connection port diameter

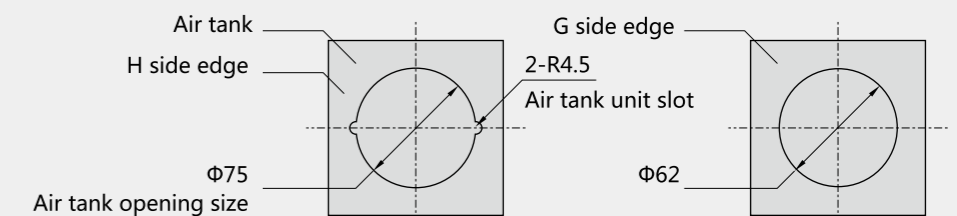
| Model | ΦA | ΦB G | ΦC |
|-------------|----|--------|----|
| RMF-Y-25 | 25 | 1" | 34 |
| RMF-Y-40 | 40 | 1 1/2" | 48 |
| RMF-Y-50S | 50 | 61.5 | |
| RMF-Y-62S | 62 | 75 | |
| RMF-Y-76S | 76 | 89 | |
| RMF-Y-86S | 76 | 87 | |
| RMF-Y-76S-A | 75 | 89 | |
| RMF-Y-76S-B | 76 | 89 | |



In Line Solenoid Pulse Valve pipe diameter



RMF-Y-25 Valve and air tank installation dimension



RMF-Y-40 Valve and air tank installation dimension

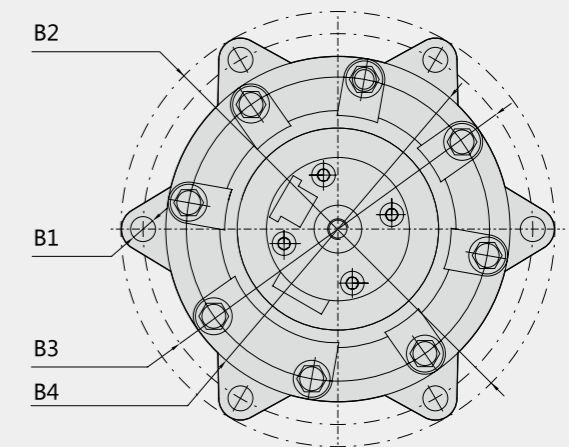
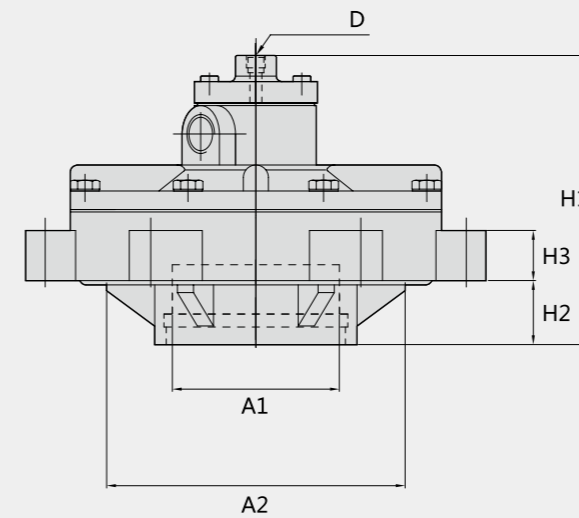
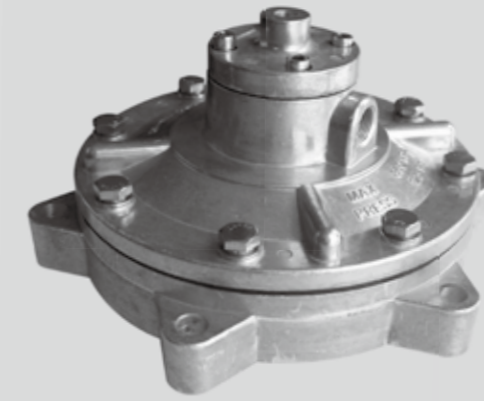
➤ Air Control Pulse Jet Valve



Parameters

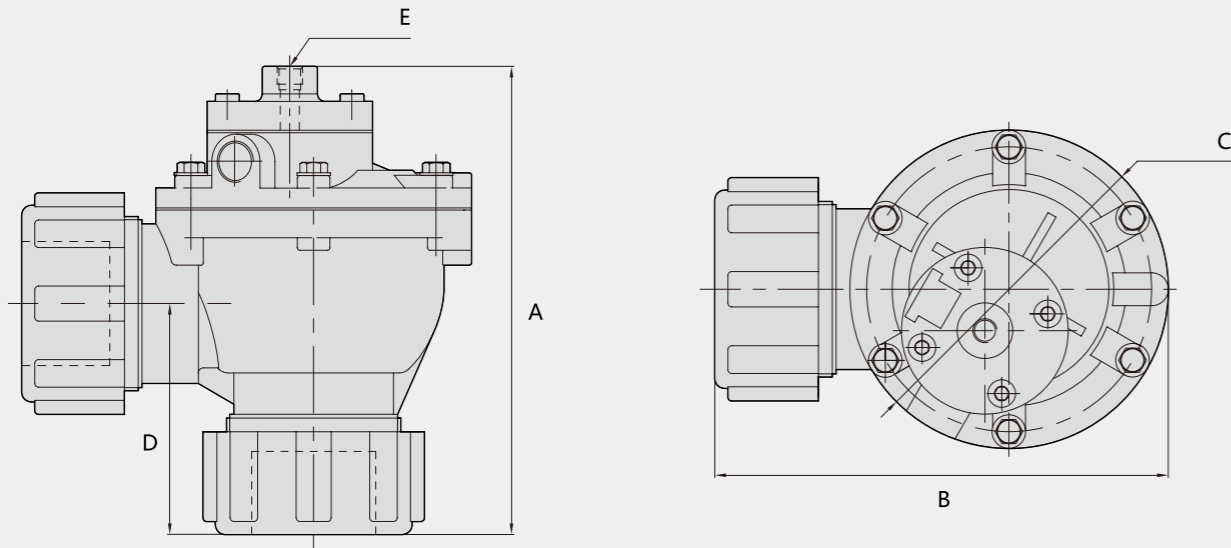
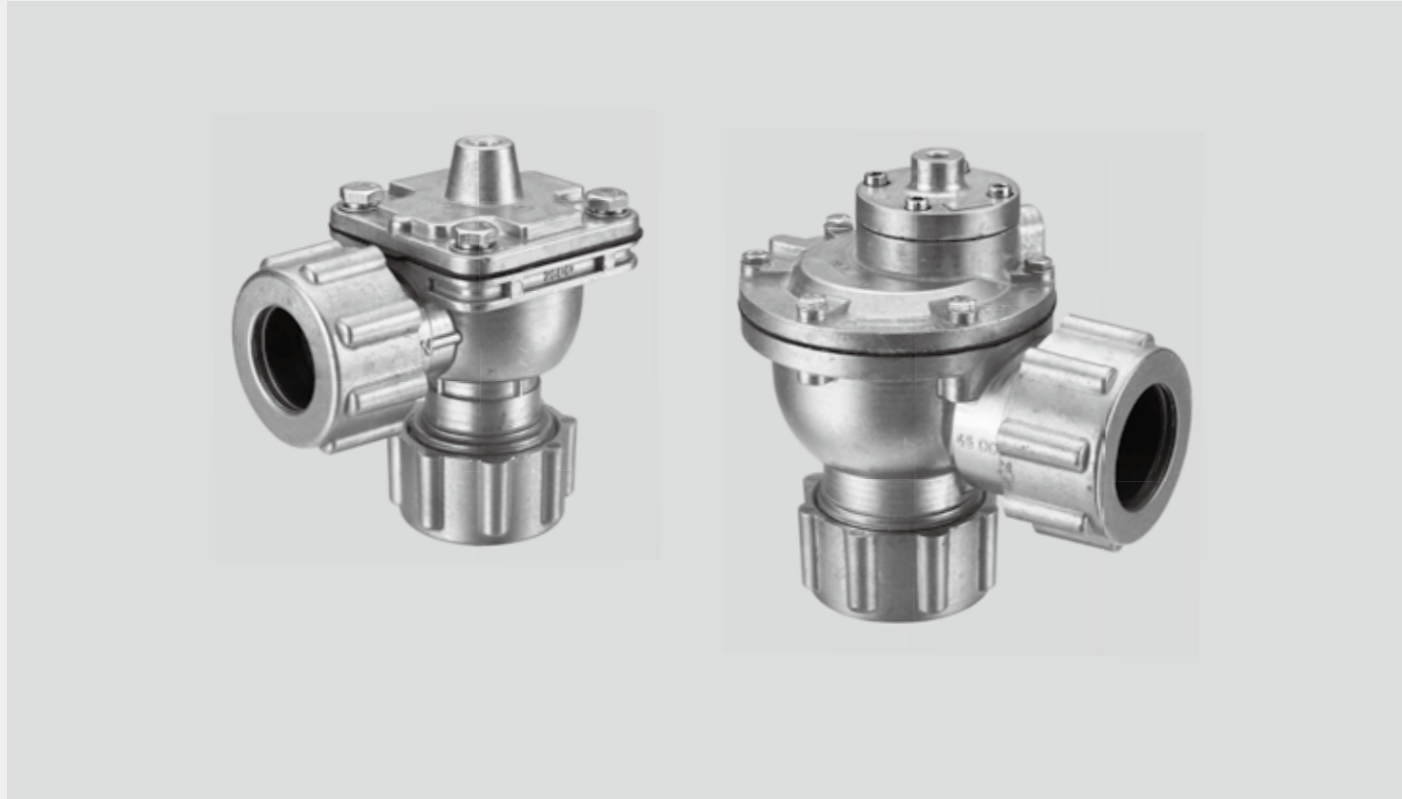
| Model | Working pressure | Ambient Temp | Relative Humidity | Media | Diaphragm Life | Orifice | Connection ports |
|------------|------------------|--------------|-------------------|-----------|-------------------------|---------|------------------|
| RMF-YQ-50S | 0.3 ~ 0.8MPa | -5~55° C | < 85% | Clean Air | Over one Million cycles | Φ50mm | Φ62.5mm |
| RMF-YQ-62S | | | | | | Φ62mm | Φ76mm |
| RMF-YQ-76S | | | | | | Φ76mm | Φ90mm |

In Line Gas control Pulse valve



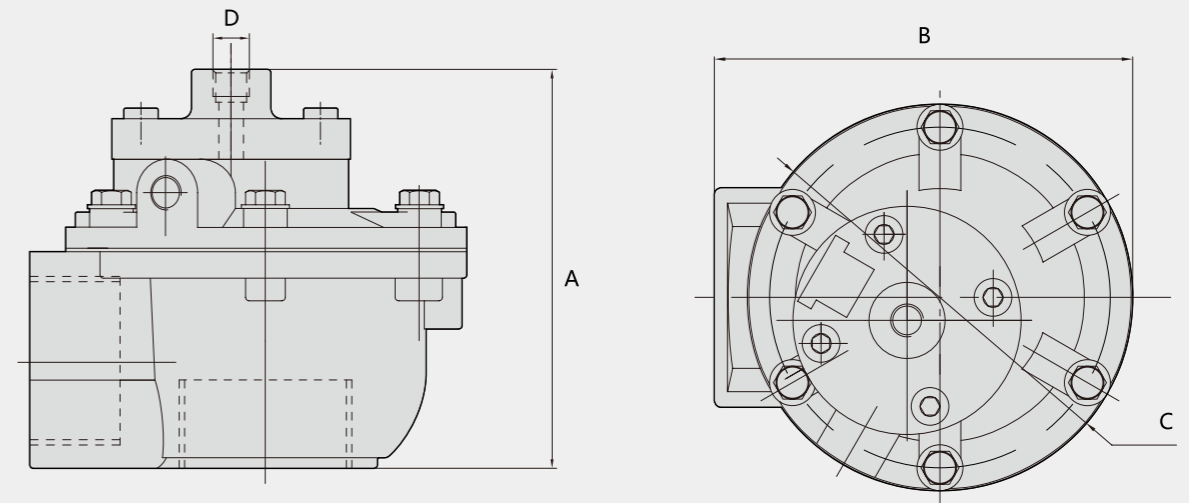
| Model | A1 | A2 | B1 | B2 | B3 | B4 | H1 | H2 | H3 | D |
|------------|-------|--------|---------|------|------|------|-----|------|------|-------|
| RMF-YQ-50S | Φ62.5 | Φ118 | 6-Φ12 | Φ200 | Φ180 | Φ159 | 138 | 30.5 | 34.5 | G1/8" |
| RMF-YQ-62S | Φ76 | Φ143.5 | 6-Φ11.5 | Φ230 | Φ207 | Φ185 | 148 | 34 | 35 | |
| RMF-YQ-76S | Φ90 | Φ141 | 6-Φ12 | Φ248 | Φ277 | Φ200 | 156 | 34.5 | 27 | |

Right angle (DD Type) gas control pulse valve



| Model | A | B | C | D | E |
|------------|-----|-----|-----------|----|-------|
| RMF-Q-25DD | 185 | 127 | 82.5*82.5 | 83 | G1/8" |
| RMF-Q-45DD | 236 | 178 | Φ126 | 92 | |

Right angle gas control pulse valve



| Model | A | B | C | D |
|------------|-----|-------|-----------|----------------------------------|
| RMF-Q-20P | 76 | 104.5 | 82.5×82.5 | G1 ¹ / ₈ " |
| RMF-Q-25P | 76 | 104.5 | 82.5×82.5 | |
| RMF-ZQ-45P | 125 | 138 | Φ126 | |
| RMF-ZQ-50S | 153 | 205 | Φ184 | |
| RMF-ZQ-62S | 173 | 210 | Φ185 | |
| RMF-ZQ-76S | 195 | 230 | Φ200 | |

➤ Explosion-proof Pulse Jet Valve

- Ex class: ExmI/II T4
- Using our own Explosion-proof coil, All the solenoid pulse valves can be changed into Ex-proof style
- Voltage & wire length can be made as your request
- When you order Ex-proof solenoid valve, Add "Ex" after model



Parameters

| Model | Working pressure | Ambient Temp. | Relative Humidity | Media | Voltage | Power | Orifice | Connection ports |
|--------------|------------------|---------------|-------------------|-----------|--|-----------------|--------------|------------------|
| RMF-25DD-EX | 0.3 ~ 0.8MPa | -5~55° C | < 85% | Clean Air | AC110V AC220V DC24V DC12V ±10% | DC15W | Φ25mm | Φ31mm |
| RMF-45DD-EX | | | | | | AC13VA | Φ40mm | Φ50mm |
| RMF-Z-25J-EX | | | | | | DC11W | Φ25mm | G1" |
| RMF-Z-20J-EX | | | | | | AC13VA | Φ20mm | G3/4" |
| RMF-Z-20M-EX | | | | | | DC15W | Φ20mm | G3/4" |
| RMF-Z-15M-EX | | | | | | AC13VA | Φ15mm | G1/2" |
| RMF-Z-20A-EX | | | | | | DC11W/AC13VA | Φ20mm | G3/4" |
| RMF-Z-20P-EX | | | | | | DC15W AC13VA | Φ20mm | G3/4" |
| RMF-Z-25P-EX | | | | | | | Φ25mm | G1" |
| RMF-Z-35P-EX | | | | | | DC13W/AC23VA | Φ35mm | G1 1/2" |
| RMF-Z-40S-EX | | | | | | | Φ40mm | G1 1/2" |
| RMF-Z-45P-EX | | | | | | | DC15W/AC13VA | Φ45mm |
| RMF-Z-50S-EX | | | | | | Φ50mm | | G2" |
| RMF-Z-62S-EX | | | | | | Φ62mm | | G2 1/2" |
| RMF-Z-76S-EX | | | | | | Φ76mm | | G3" |
| RMF-Y-40S-EX | | | | | | DC13W AC23VA | Φ45mm | G1 1/2" |
| RMF-Y-50S-EX | | | | | | | Φ50mm | Φ62.5mm |
| RMF-Y-62S-EX | | | | | | DC15W AC13VA | Φ62mm | Φ76mm |
| RMF-Y-76S-EX | | | | | | | Φ76mm | Φ90mm |



➤ Pulse signal controller & parts

Sequential controller is main control part of bag filter system. It controls the on/off of pulse solenoid valves sequentially, so circularly the air runs in the bag and shakes off the dust which adsorbs on bag surface, make the bag keep clean and sufficient air permeability.



Pulse signal controller

PIC-20X Pulse signal controller



The PIC-20X controller is made from PC coated aluminum alloy. It has microprocessor, can adjust the width as per different clean request.

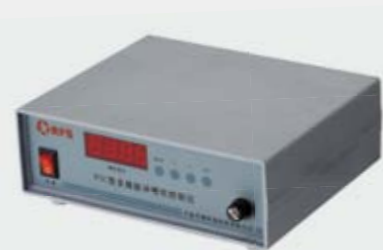
Its output signal directly controls the solenoid valves.

The controller is stable and easy to use.

Can be installed in the control room or on the dust collector machinery directly.

| | |
|-----------------------|---------------------|
| Input voltage | AC220V±10%50Hz/60Hz |
| Output voltage | DC24V AC110V AC220V |
| Output current | ≤ 15VA |
| Power | 1A |
| Interval Range | 1~50S |
| Width Range | 30-300ms |
| Output lines | 4~20 Lines |
| Volume | 280×220×110mm |

PIC-64 Pulse signal controller



The controller is controlled by microprocessor. It can adjust the pulse interval and width as the requirement of the dust remover.

PIC-20S Pulse signal controller



It is made from engineering plastic, good in dust and water proof, easy to install, Stable working.

| Model | PIC-64 | PIC-20S |
|----------------------------|--|--|
| Input voltage | AC220V±10%50Hz/60Hz | AC110V±10%50Hz/60Hz |
| Output voltage | DC24V AC110V AC220V | |
| Output current | | 1A |
| Power consumption | | ≤ 15VA |
| Interval time range | | 1~250S |
| On time range | | 30~2500ms |
| Output lines no | | 1-20 Lines |
| Working environment | Temp : -40°C ~±80°C | humidity : ≤ 85% no strong corrosive fluid and no conductive dust no strenuous vibration and shock |
| Install method | separately or within the control box | |
| Weight | 1.4kg (different according to different lines) | |
| Dimension | 200×170×75mm | 164×154×84mm |

RMV-8A



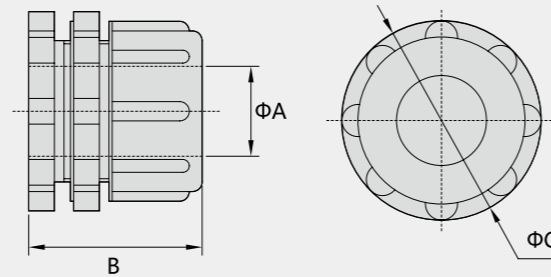
| | |
|----------------------------|---|
| Input voltage | AC110V - AC220V±10% 50Hz/60Hz |
| Output voltage | AC110V - AC220V DC24V |
| Power consumption | 1A |
| Power | ≤ 20VA |
| Interval time range | 1~250S |
| On time range | 10~2500ms |
| Output lines no | 1~8 Lines |
| Working environment | temp. : -40°C ~±80°C humidity : ≤ 85% no strong corrosive fluid and no conductive dust no strenuous vibration and shock |
| Install method | separately or within the control box |
| Weight | 0.5kg (different according to different lines) |
| Dimension | 190×125×58mm (different according to different lines) |

RMV-64



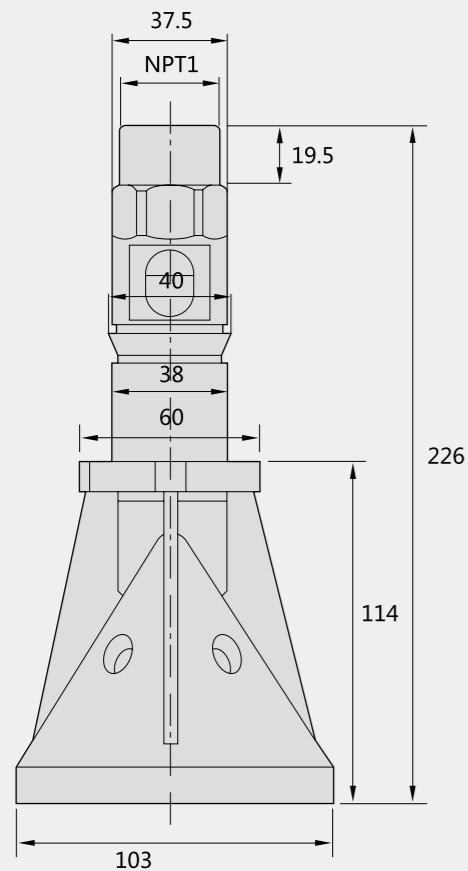
| | |
|----------------------------|---|
| Input voltage | AC220V±10% 50Hz/60Hz AC110V±10% 50Hz/60Hz |
| Output voltage | DC24V AC110V AC220V |
| Power consumption | 1A |
| Power | ≤ 15VA |
| Interval time range | 1~120S |
| On time range | 30~2500ms |
| Output lines no | 2~64 Lines |
| Working environment | temp. : -40°C ~±80°C humidity : ≤ 85% no strong corrosive fluid and no conductive dust no strenuous vibration and shock |
| Install method | separately or within the control box |
| Weight | 1.1kg (different according to different lines) |
| Dimension | 250×190×105mm (different according to different lines) |

RB CONNECTION



| Overall dimension | | | | |
|-------------------|--------|----|------|------|
| Model | symbol | A | B | C |
| RB-25 | | 35 | 67.5 | 77.5 |
| RB-40 | | 50 | 92.5 | 92 |

Plastic Venturi Tube



Diaphragm

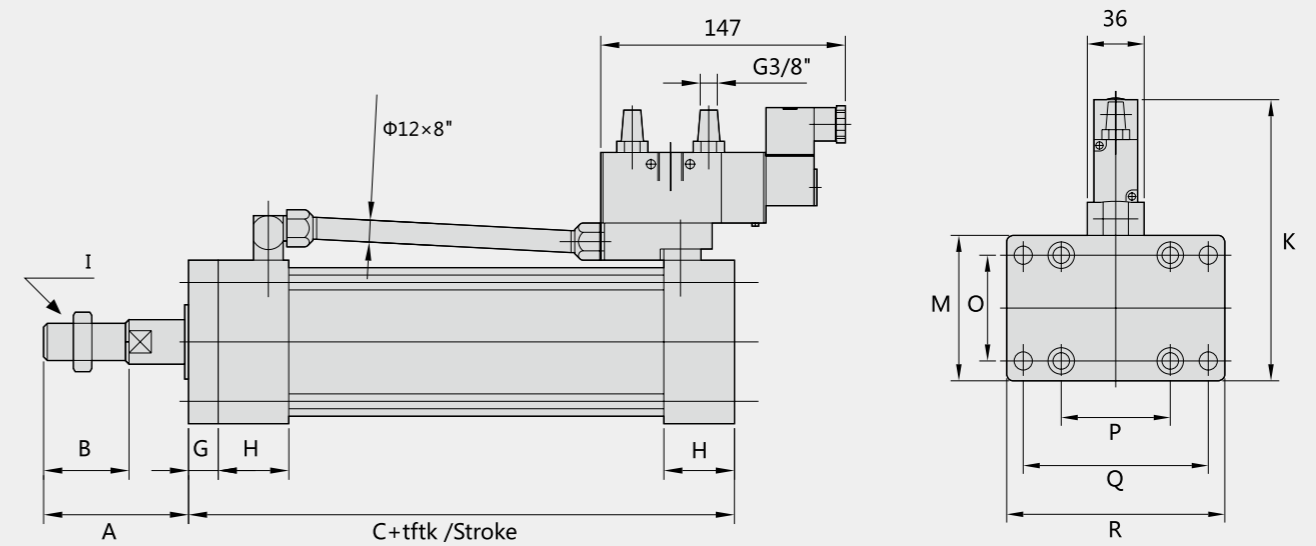
Diaphragm is the one of the most important components in pulse valve, our diaphragm is made from import material. It has good antifatigue, ageing resistance etc. We offer better quality than others in this field. We also offer special diaphragms as per customer's request.



Cylinder (With Solenoid valve)

Code No

RQG **F** **63** x **125** - **180** **W85**
 Cylinder with solenoid valves Blank without Flange F Flange DIA Stroke Size A Size B



| Overall dimension | | | | | | | | | | | | | | |
|-------------------|------------------------------------|---|---|-----|----|----|----------|----|-----|-----|-----|-----|-----|-----|
| DIA | symbol | A | B | C | G | H | I | J | K | M | O | P | Q | R |
| 32 | According to customer requirements | | | 103 | 10 | 30 | M10*1.25 | 12 | 140 | 47 | 33 | 33 | 58 | 72 |
| 40 | | | | 103 | 10 | 30 | M12*1.25 | 16 | 145 | 52 | 37 | 37 | 70 | 84 |
| 50 | | | | 103 | 10 | 30 | M16*1.5 | 20 | 158 | 65 | 47 | 47 | 86 | 104 |
| 63 | | | | 111 | 12 | 33 | M16*1.5 | 20 | 169 | 76 | 56 | 56 | 98 | 116 |
| 80 | | | | 136 | 16 | 40 | M20*1.5 | 25 | 188 | 95 | 70 | 70 | 119 | 143 |
| 100 | | | | 136 | 16 | 40 | M20*1.5 | 25 | 208 | 115 | 84 | 84 | 138 | 162 |
| 125 | | | | 137 | 20 | 38 | M27*2 | 32 | 231 | 138 | 104 | 104 | 168 | 196 |
| 160 | | | | 150 | 25 | 40 | M27*2 | 40 | 265 | 172 | 134 | 134 | 208 | 240 |