

Standard Cylinder

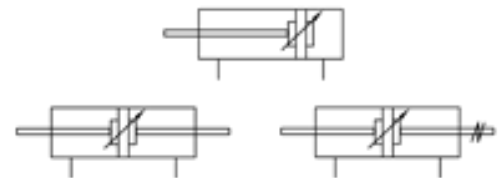
ISO International standard aluminium alloy cylinder:

- CNC mechanically processed with high precision. Quality meet international standard.
- Adopt imported none lubrication, long time service and no need lubrication maintenance.
- Unique cushion technique makes smooth action.



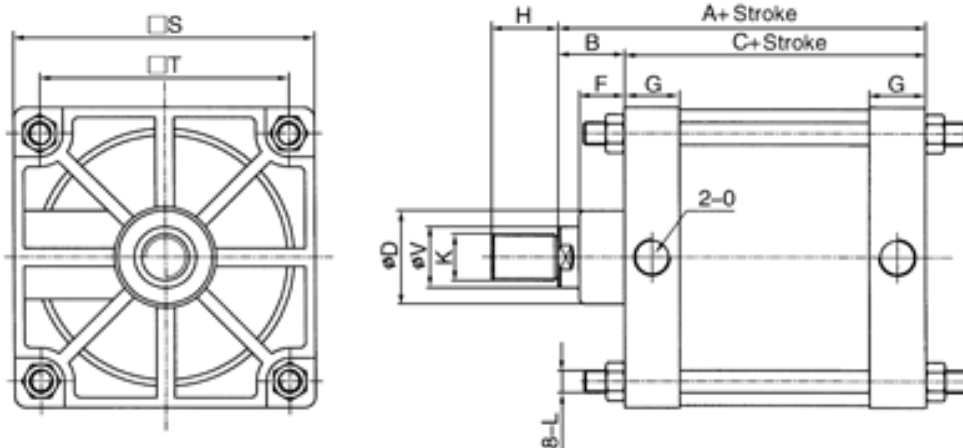
Specification:

Mode	250	320	400
Motion	Double acting		
Series	QGB		
Fluid	Compressed Air		
Operating pressure range (Mpa)	0.1~1		
Operating speed mm/sec	50~500		
Ambient temperature °C	-10~70°C		
Cushion	adjustable cushion at both ends		
Port size	1"		



Dimension(mm):

■ ϕ 250~ ϕ 400



内径/符号	A	B	C	D	F	G	H	K	L	O	S	T	V
250	230	60	170	84	41	50	60	M42 × 2	M20	G 1"	270	225	55
320	325	110	215	105	75	60	75	M48 × 2	M24	G1"	350	280	63
400	351	115	236	125	75	63	100	M60 × 2	M30	G1"	430	350	80