

Air Oil Pressure transition Cylinder

Character:

- Provide a simple source of power for low pressure hydraulic cylinders.
- Suitable for slow, stable movement.
- The tanks must be mounted vertically at the highest point of the circuit.
- Fill oil into the tanks not over 80% of the full volume.
- Flow controls are recommended to avoid excessive foaming in tanks.



Specification:

Acting type	Air Oil Pressure transition Cylinder
Series	KZ
Bore	φ 63, φ 80, φ 100
Fluid	ISOVG32
Operating pressure range (Mpa)	0.07~0.99
Resistance (MPa)	1.5
Ambient temperature(°C)	-10~70

How to order:

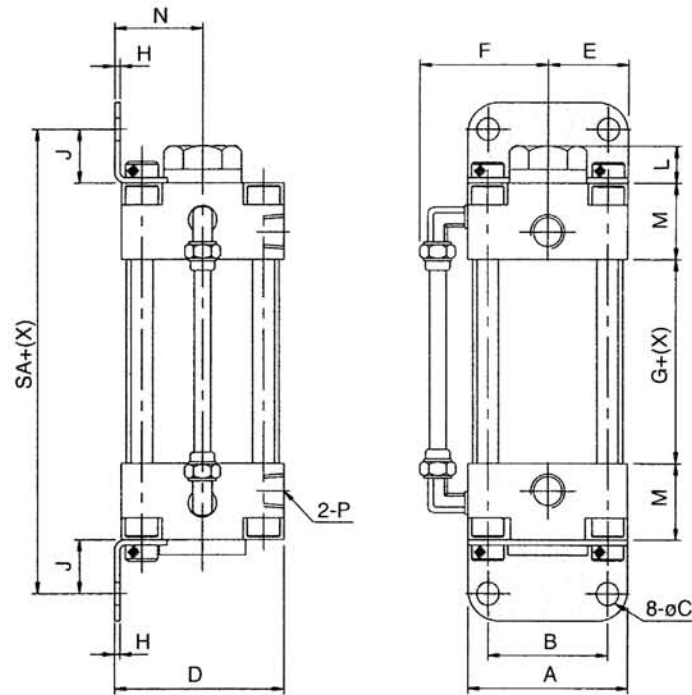


Optional:

Bore	longness (X)	Φ 63					Φ 80					Φ 100							
		50	75	125	150	200	250	100	125	150	200	250	300	100	125	150	200	250	300
Cylinder stroke range																			
Bore	φ 40	100 under	101-125	101-150	151-200		251-300	201-250		301-350									
	φ 50	50 under	75 under	51-100			151-200	101-150		251-300			201-250						
	φ 63		50 under		75 under			51-100		101-150			201-250	151-200	251-300				
	φ 80				50 under				75 under				101-150	51-100				101-150	151-200
	φ 100									50 under				51-100					

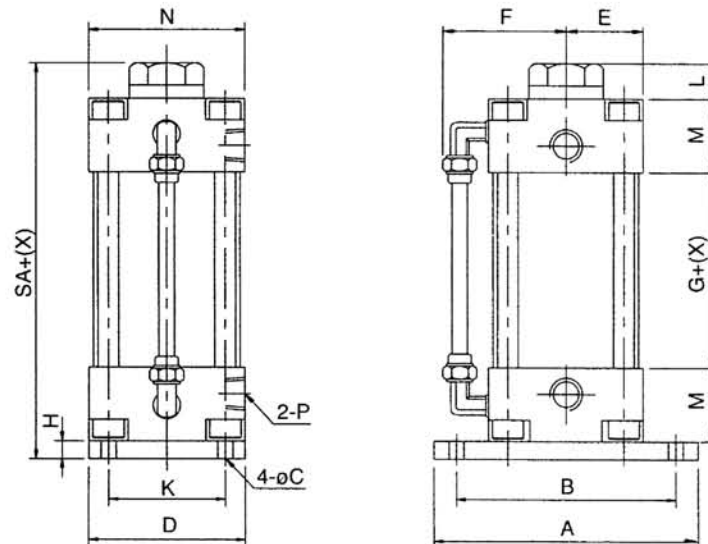
Dimension :

■ Foot bracket(LB)



Bore	A	B	C	D	E	F	G	H	J	L	M	N	P	S
φ 63	80	56	12	79	37.5	56.5	32	3.2	31	14	32	41	PT3/8"	12
φ 80	97	70	14	96	47	69	39	4	30	15	36	49	PT3/8"	12
φ 100	112	85	14	114	56.6	76.5	39	4	30	15.5	36	57	PT1/2"	12

■ Rear flanges(FB)



Bore	A	B	C	D	E	F	G	H	J	L	M	N	P	S
φ 63	120	100	9	80	37.5	56.5	32	14	50	14	32	75	PT3/8"	12
φ 80	154	126	12	96	47	69	39	16	63	15	36	94	PT3/8"	12
φ 100	180	150	14	120	56.5	76.5	39	16	75	15.5	36	113	PT1/2"	12