

## Multi-position thin cylinder

### Character:

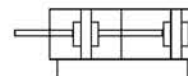
● Making the combined cylinder have multi-position. Connecting two cylinders which has the same bore, but different stroke. Pay attention to the stroke that the later acting longer than former acting, i.e. stroke2 > stroke1, if special requirements, we can supply combination which have two or more cylinders, total stroke not more than 2000mm.

attention: its pull force is similar to single cylinder.

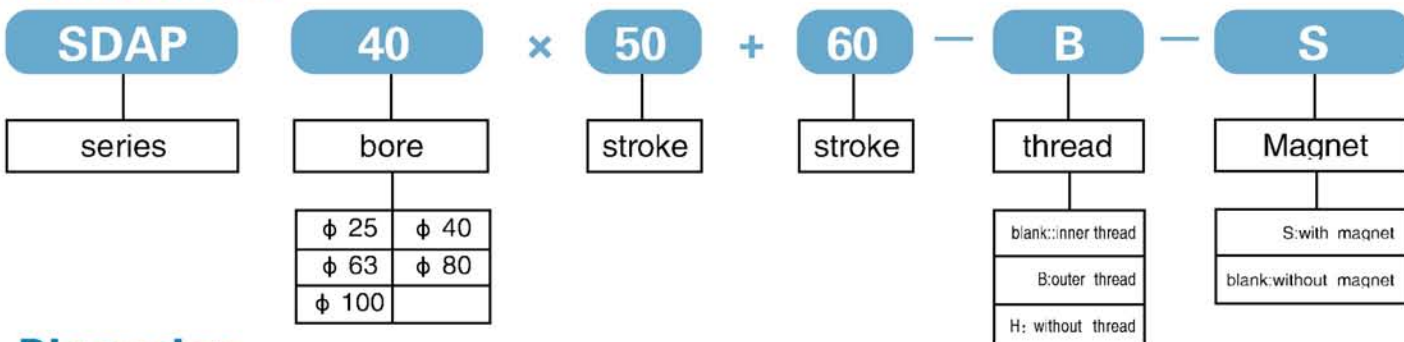


### Specification:

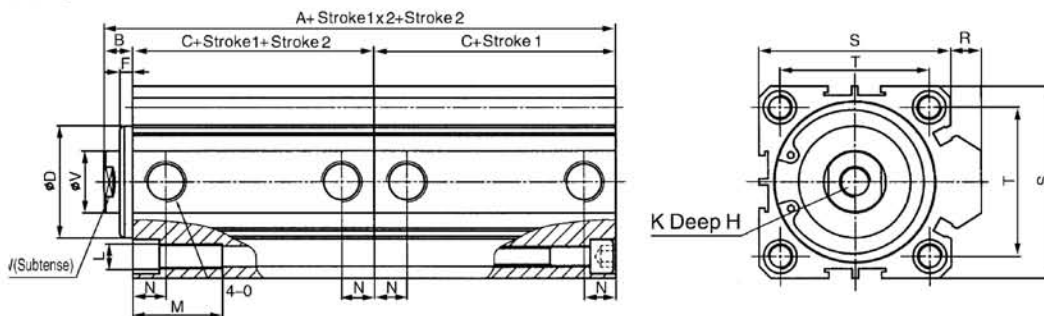
Mode	25	40	63	80	100
Fluid	air				
structure character	type piston cylinder				
Operating pressure range (Mpa)	0.1~0.9				
Ambient temperature (°C)	-10~70°C				



### How to order:



### Dimension:



type	without magnet		with magnet		C1	D	E		F	G	K1	O	P	P1	P3	P4	S	T1	V	W
	A	C2	A	C2			≤ 10	> 10												
25	49	22	59	32	21	42	10		4	2	M5 × 0.8	M5 × 0.8	8.2	M6 × 1	15	5.5	40	28	10	8
40	60	27	70	37	26	59	12		4	3	M8 × 1.25	G1/8"	10	M8 × 1.25	20	7.5	52	40	16	14
63	74	33	84	43	32	84.5	15		5	4	M10 × 1.5	G1/4"	11	M8 × 1.25	25	8.5	75	60	20	17
80	94	42	104	52	41	104	15	20	6	5	M14 × 1.5	G3/8"	14	M12 × 1.75	25	10.5	94	74	25	22
100	115	52	125	62	51	124	18	20	7	5	M18 × 1.5	G3/8"	17.5	M14 × 2	30	13	114	90	32	27